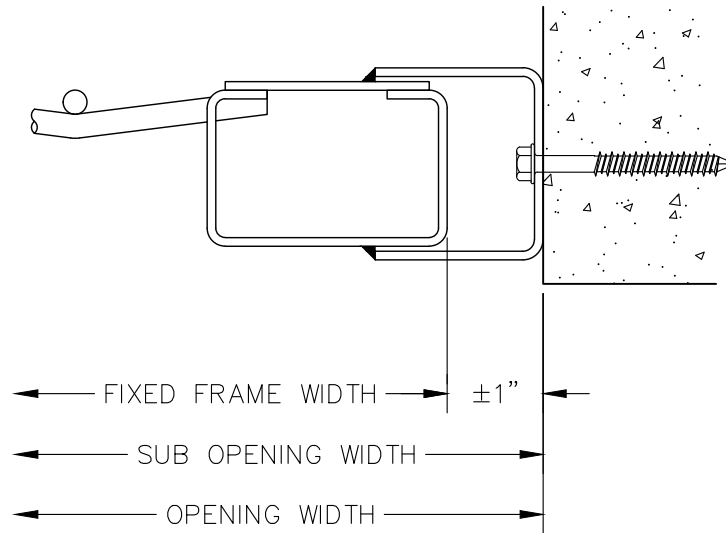
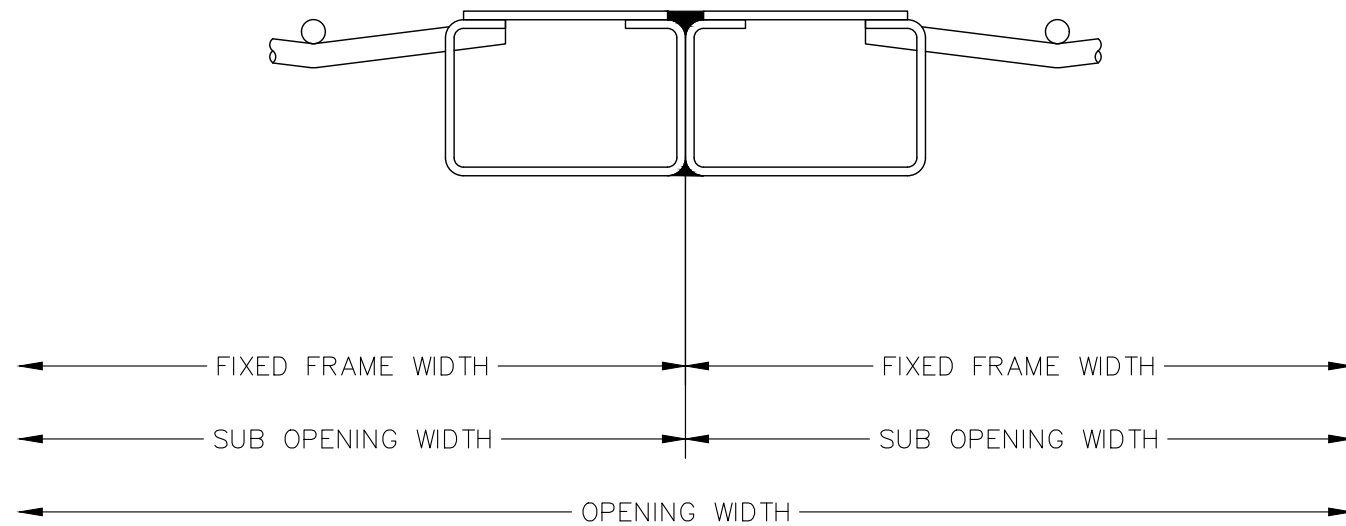


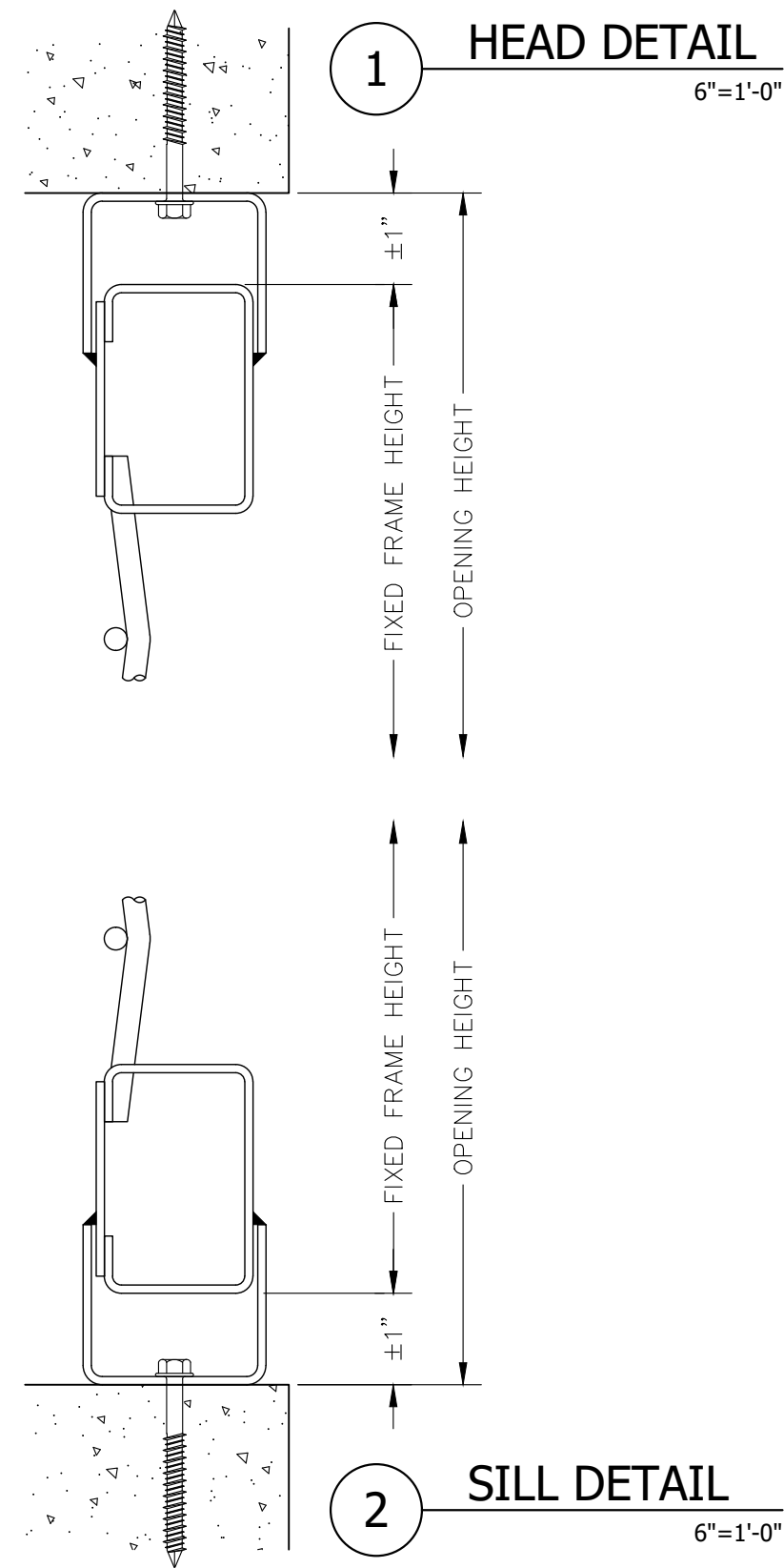
3 LEFT JAMB
6"=1'-0"



4 RIGHT JAMB
6"=1'-0"



5 MULLION DETAIL
6"=1'-0"



REVISION LOG	REV	BY	DATE	DESCRIPTION

KANE INNOVATIONS
GUARDIANS OF SAFE ENVIRONMENTS

EBERLE, PENNSYLVANIA 16808
PH#: 800-773-2439
www.kaneinnovations.com

KANE DETENTION
PROTECTION BY NAME

© 2021

X-V13-Z
VANTAGE WALL - 13 GA. SS

REVEAL MOUNT

PROJECT: _____
PROJECT NO.: _____

DRAWN: _____ DATE: 05/01/2014

SCALE: 6"=1'-0"

SHEET: D1

INFORMATION SHOWN ON THIS DRAWING IS PROPRIETARY AND THE SOLE PROPERTY OF KANE INNOVATIONS CORPORATION AND IS NOT TO BE REPRODUCED, DISCLOSED, OR TRANSMITTED TO OTHERS FOR ANY PURPOSE NOT AUTHORIZED BY KANE INNOVATIONS CORPORATION.