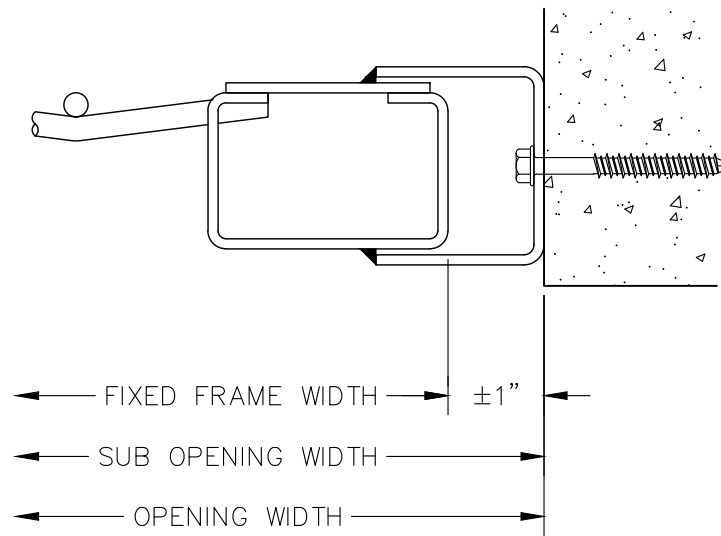
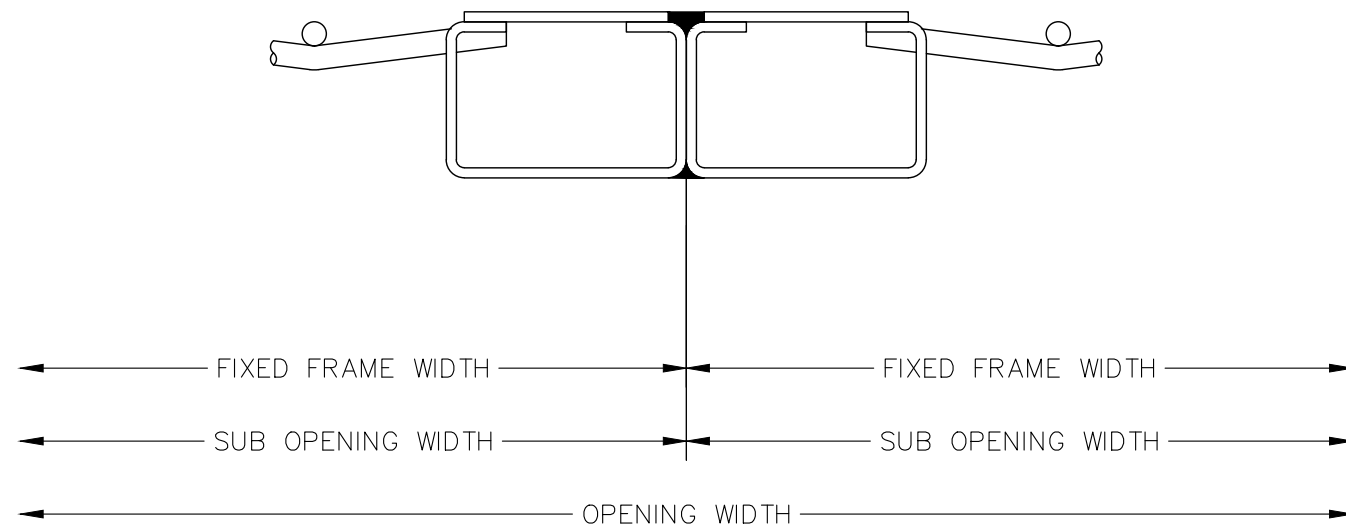


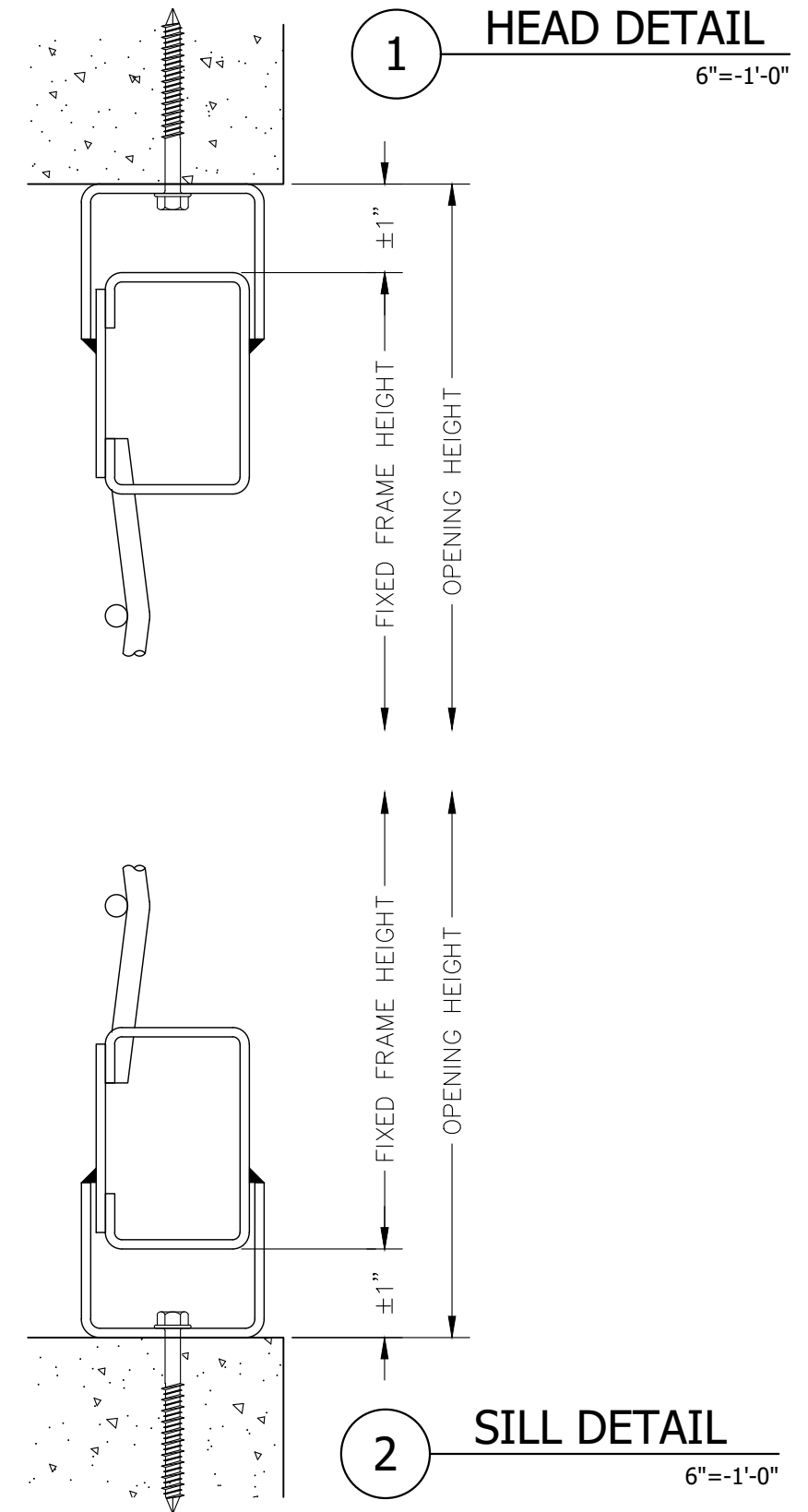
3 LEFT JAMB
6"=-1'-0"



4 RIGHT JAMB
6"=-1'-0"



5 MULLION DETAIL
6"=-1'-0"



REV	BY	DATE	DESCRIPTION

KANE INNOVATIONS
GUARDIANS OF SAFE ENVIRONMENTS

EBERLE, PENNSYLVANIA 16808
PH#: 800-773-2439
www.kaneinnovations.com

KANE DETENTION
MANUFACTURED BY KANE

© 2021

S-V12-Z
VANTAGE WALL - 12 GA. STEEL
REVEAL MOUNT

PROJECT	
PROJECT NO.	
DRAWN	DATE
	05/01/2014
SCALE	6"=1'-0"
SHEET	D1

INFORMATION SHOWN ON THIS DRAWING IS PROPRIETARY AND THE SOLE PROPERTY OF KANE INNOVATIONS CORPORATION AND IS NOT TO BE REPRODUCED, DISCLOSED, OR TRANSMITTED TO OTHERS FOR ANY PURPOSE NOT AUTHORIZED BY KANE INNOVATIONS CORPORATION.