

REVISION LOG	REV	BY	DATE	DESCRIPTION

KANE INNOVATIONS
 GUARDIANS OF SAFE ENVIRONMENTS
 EBBW, PENNSYLVANIA 16506
 PH#: 800-773-2439
 www.kaneinnovations.com

KANE DETENTION
 MANUFACTURING BY KANE

© 2021

PROJECT
 PROJECT NO.

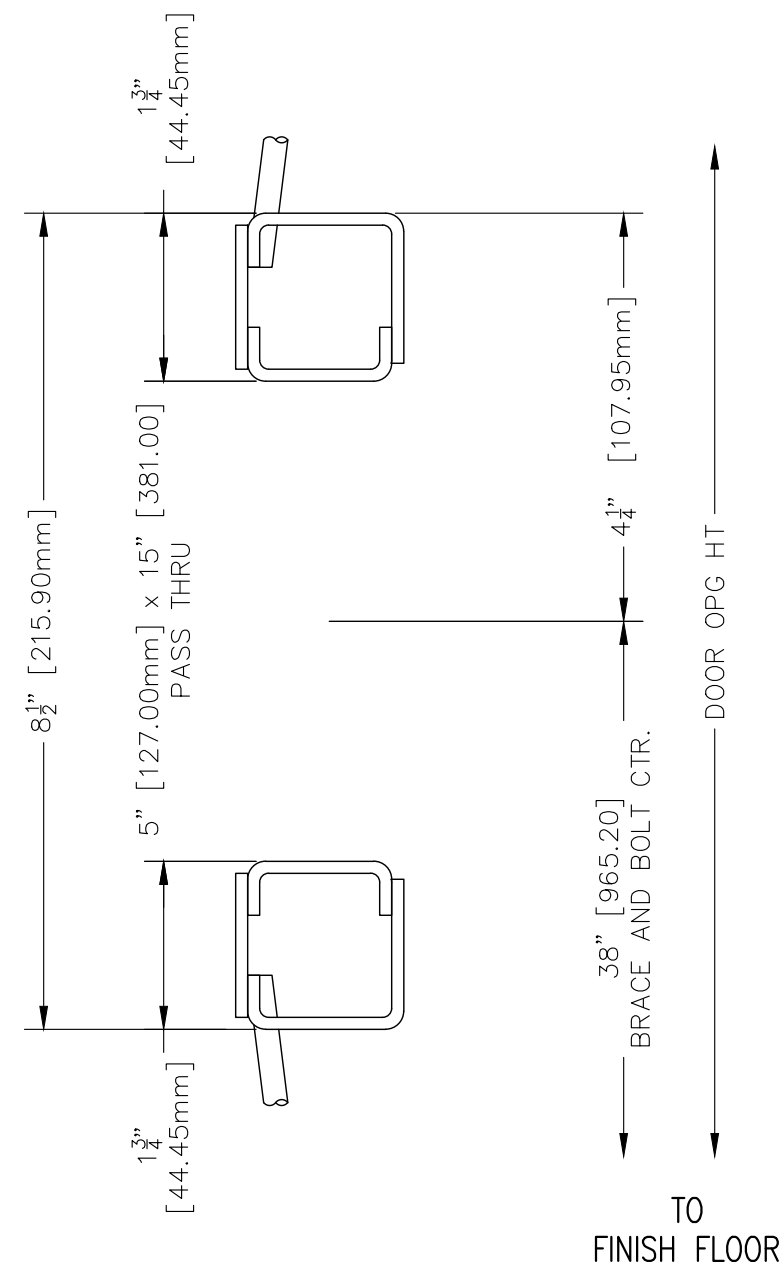
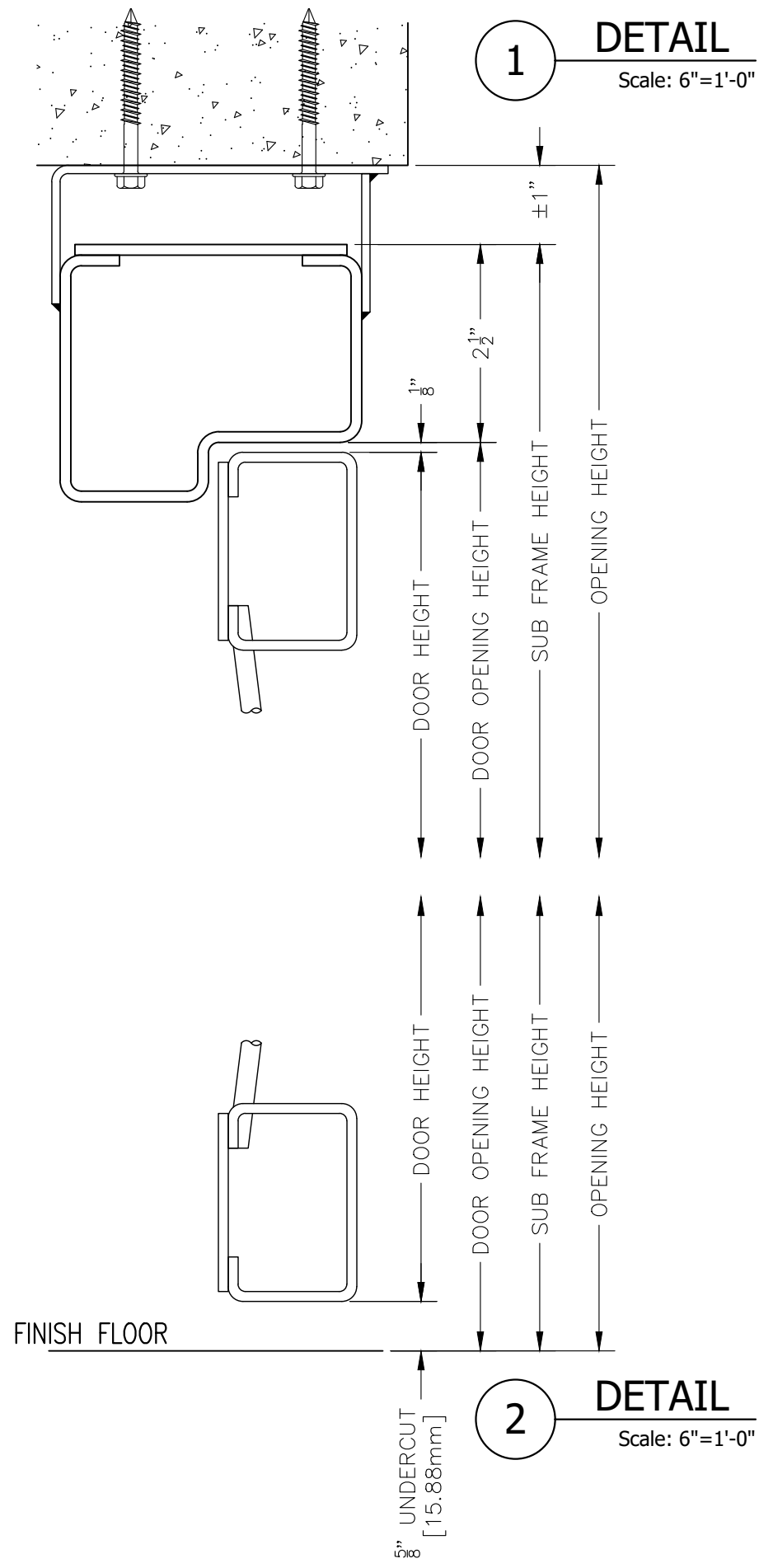
DRAWN **DATE**
 05/01/2014

SCALE
 3/4"=1'-0"

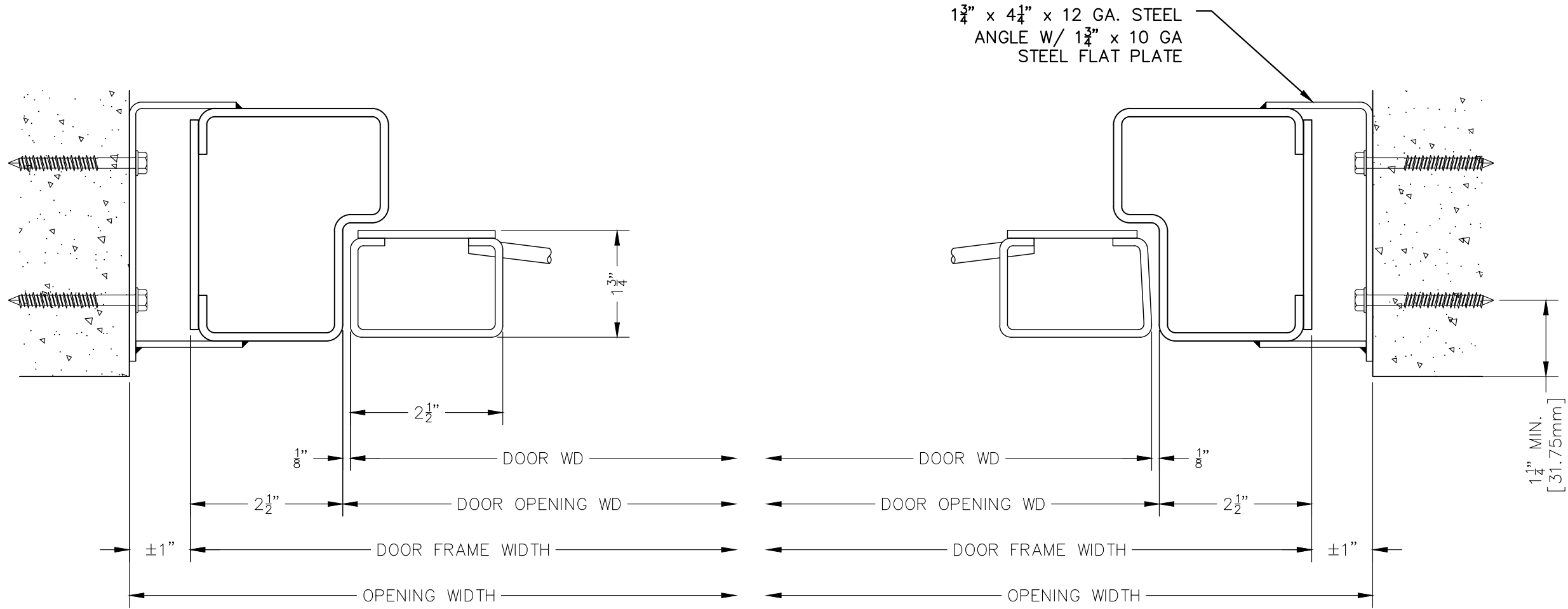
SHEET
 E1

G-D12-P
PRE-HUNG VANTAGE WALL DOOR
12 GA. GALV.

INFORMATION SHOWN ON THIS DRAWING IS PROPRIETARY AND THE SOLE PROPERTY OF KANE INNOVATIONS CORPORATION AND IS NOT TO BE REPRODUCED, DISCLOSED, OR TRANSMITTED TO OTHERS FOR ANY PURPOSE NOT AUTHORIZED BY KANE INNOVATIONS CORPORATION.



PROJECT		DESCRIPTION	
PROJECT NO.		REVISION LOG	
DRAWN	DATE	REV	BY
SCALE	6"=1'-0"	INFORMATION SHOWN ON THIS DRAWING IS PROPRIETARY AND THE SOLE PROPERTY OF KANE INNOVATIONS CORPORATION AND IS NOT TO BE REPRODUCED, DISCLOSED, OR TRANSMITTED TO OTHERS FOR ANY PURPOSE NOT AUTHORIZED BY KANE INNOVATIONS CORPORATION.	
SHEET		DATE	
D1		05/01/2014	
G-D12-P		KANE INNOVATIONS	
PRE-HUNG VANTAGE WALL DOOR		GUARDIANS OF SAFE ENVIRONMENTS	
12 GA. GALV.		EBER, PENNSYLVANIA 16908 PH#: 800-773-2439 www.kaneinnovations.com	
© 2021		KANE DETENTION MANUFACTURING BY KANE	



4 JAMB DETAIL
Scale: 6"=1'-0"

5 JAMB DETAIL
Scale: 6"=1'-0"

REV	BY	DATE	DESCRIPTION

KANE INNOVATIONS
GUARDIANS OF SAFE ENVIRONMENTS
ERIE, PENNSYLVANIA 16508
PH: 800-773-2439
www.kaneinnovations.com

KANE DETENTION
MANUFACTURING BY KANE

© 2021

G-D12-P
PRE-HUNG VANTAGE WALL DOOR
12 GA. GALV.

PROJECT
PROJECT NO.

DRAWN DATE
05/01/2014

SCALE
6"=1'-0"

SHEET
D2

INFORMATION SHOWN ON THIS DRAWING IS PROPRIETARY AND THE SOLE PROPERTY OF KANE INNOVATIONS CORPORATION AND IS NOT TO BE REPRODUCED, DISCLOSED, OR TRANSMITTED TO OTHERS FOR ANY PURPOSE NOT AUTHORIZED BY KANE INNOVATIONS CORPORATION.