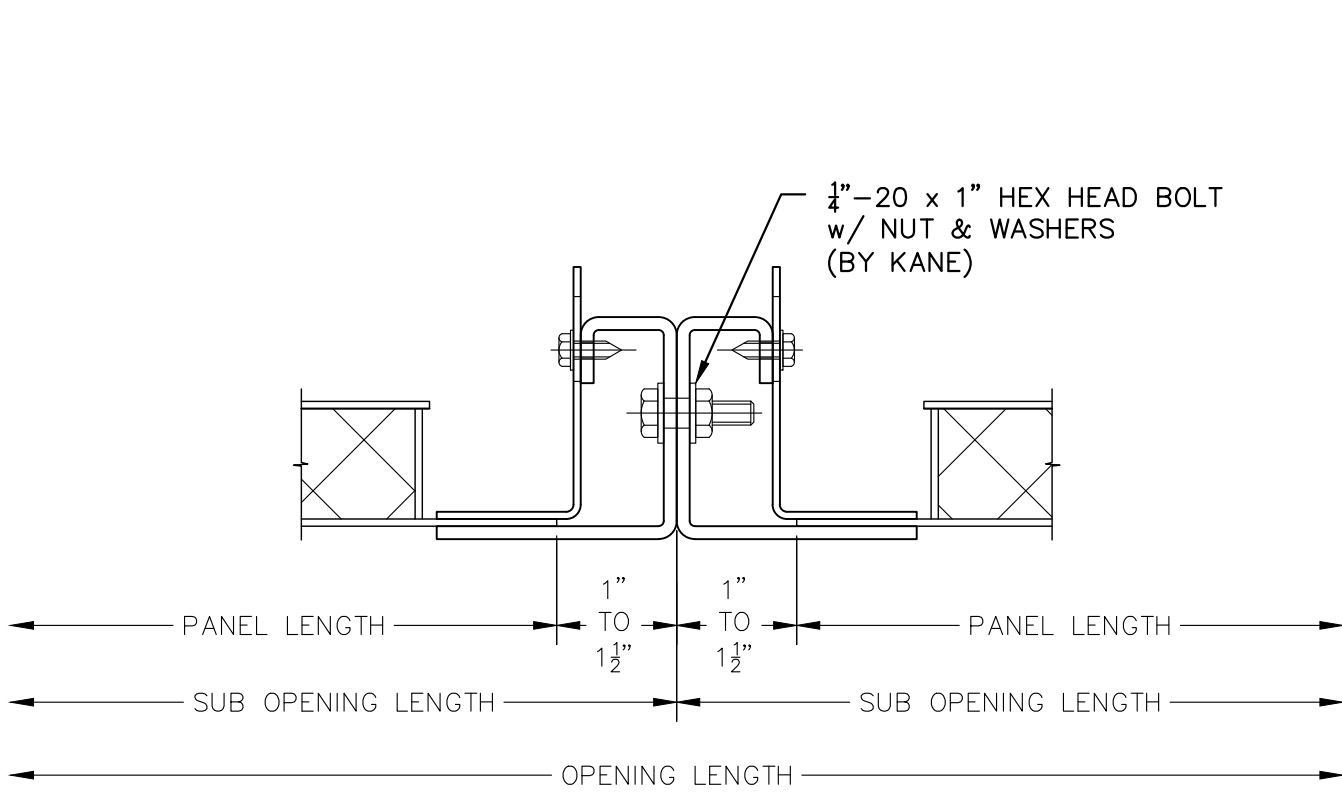
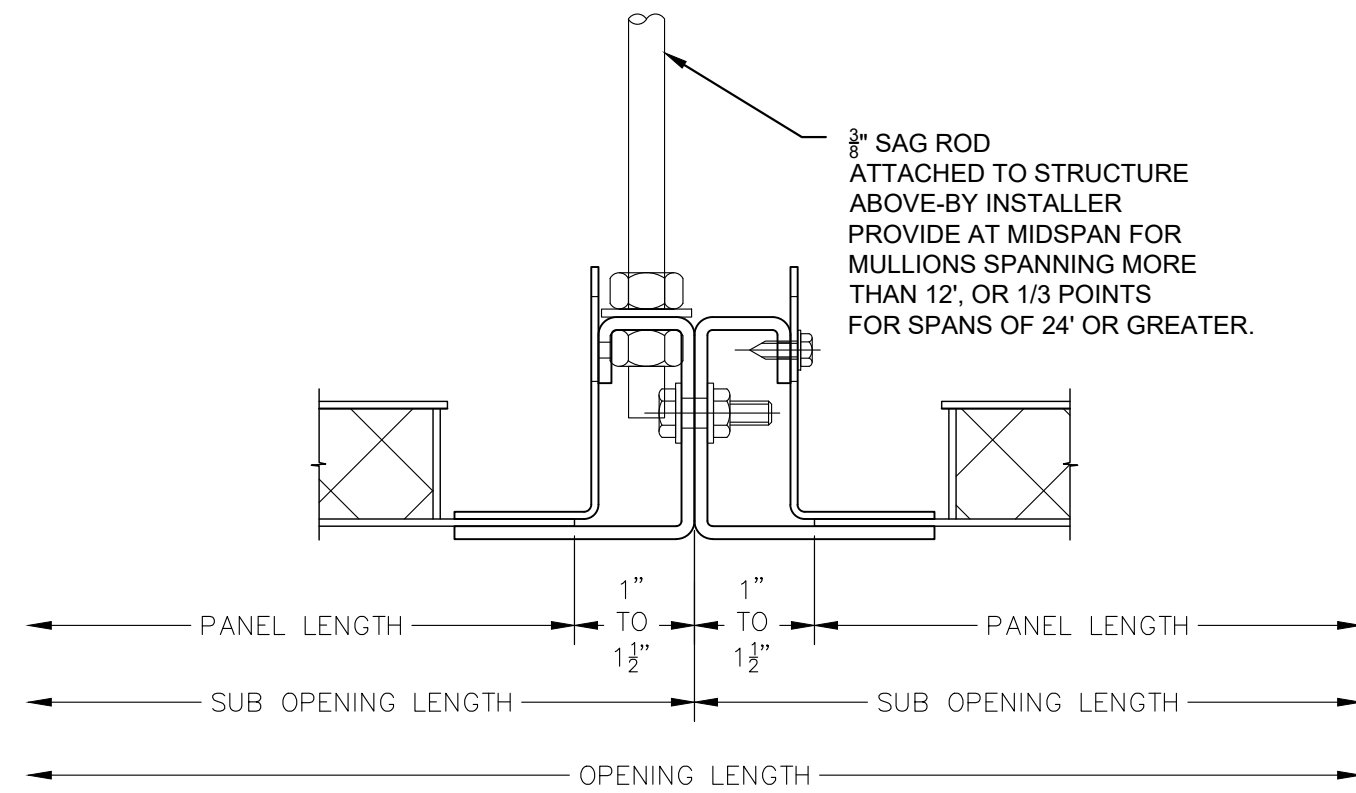


1 WALL DETAIL 6"=1'-0"
2 CONNECTION 6"=1'-0"
3 CONNECTION 6"=1'-0"
4 CONNECTION 6"=1'-0"
5 CONNECTION 6"=1'-0"



6 MULLION DETAIL
 6"=1'-0"



7 LONG SPAN MULLION
 6"=1'-0"

KANE INNOVATIONS <small>GUARDIANS OF SAFE ENVIRONMENTS</small> <small>EBERLE, PENNSYLVANIA</small> <small>PHONE: 800-773-2439</small> <small>WWW.KANEINNOVATIONS.COM</small>	
© 2021	
G-CLG-T (14GA) SECURITY PLANK CEILING-TOP PLATE 14 GA. GALV.	
PROJECT NO.	DATE 05/01/2014
DRAWN	SCALE 6"=1'-0"
SHEET D1	

INFORMATION SHOWN ON THIS DRAWING IS PROPRIETARY AND THE SOLE PROPERTY OF KANE INNOVATIONS CORPORATION, AND IS NOT TO BE REPRODUCED, DISCLOSED, OR TRANSMITTED TO OTHERS FOR ANY PURPOSE, NOT AUTHORIZED BY KANE INNOVATIONS CORPORATION.