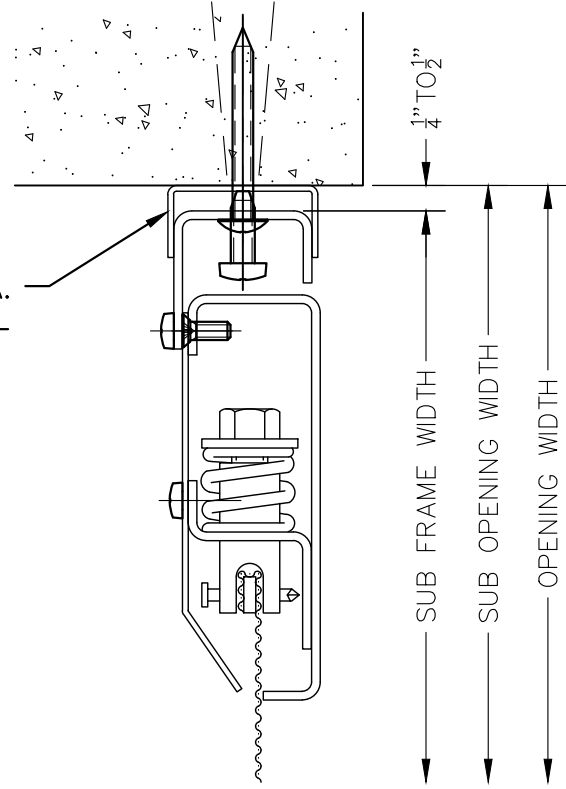
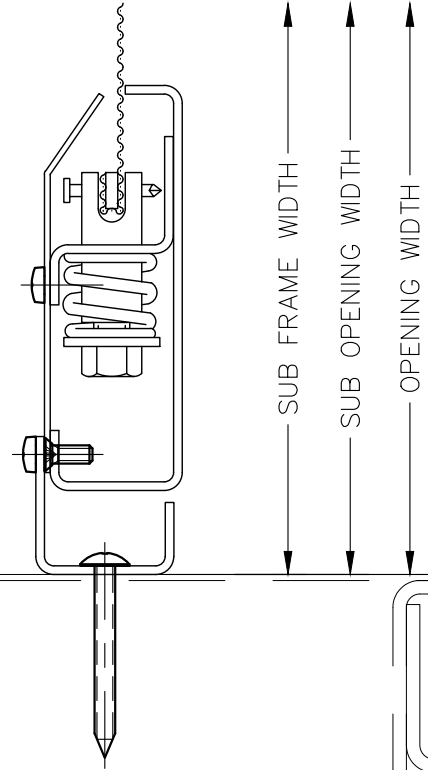


$\frac{3}{4}$ " X $1\frac{9}{16}$ " X $\frac{3}{4}$ " X 16 GA.
S/STL SCRIBE CHANNEL



1 HEAD DETAIL
Scale: 6"=1'-0"



2 SILL DETAIL
Scale: 6"=1'-0"

REVISION LOG	REV	BY	DATE	DESCRIPTION

KANE INNOVATIONS
GUARDIANS OF SAFE ENVIRONMENTS
KANE DETENTION FACILITY BY KANE

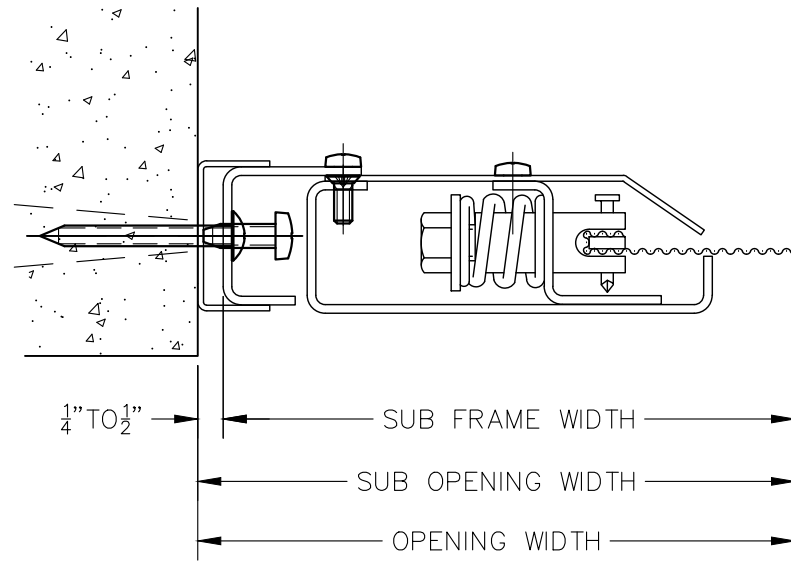
ERBE, PENNSYLVANIA 16808
PH#: 800-773-2439
www.kaneinnovations.com

© 2021

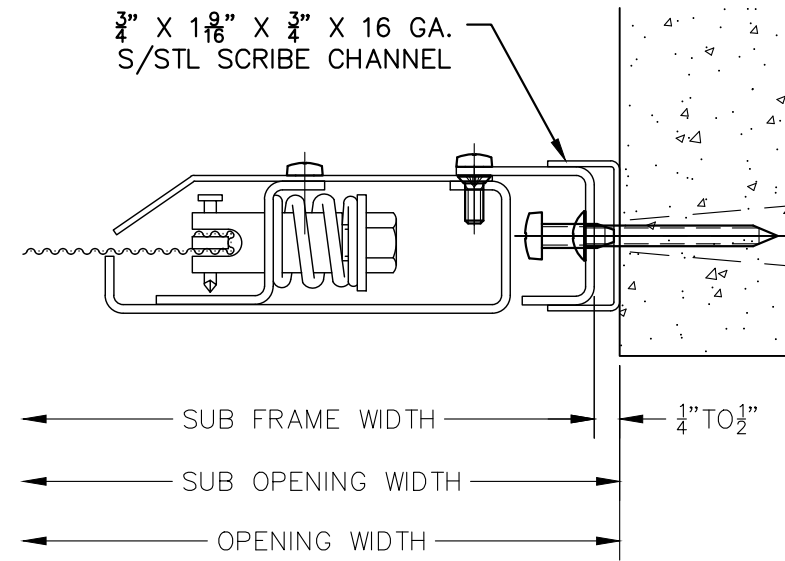
X-DEN-I
SS DEFENDER INTERVIEW SCREEN
REVEAL MOUNT

PROJECT	PROJECT NO.
DRAWN	DATE
SCALE	6"=1'-0"
SHEET	D1

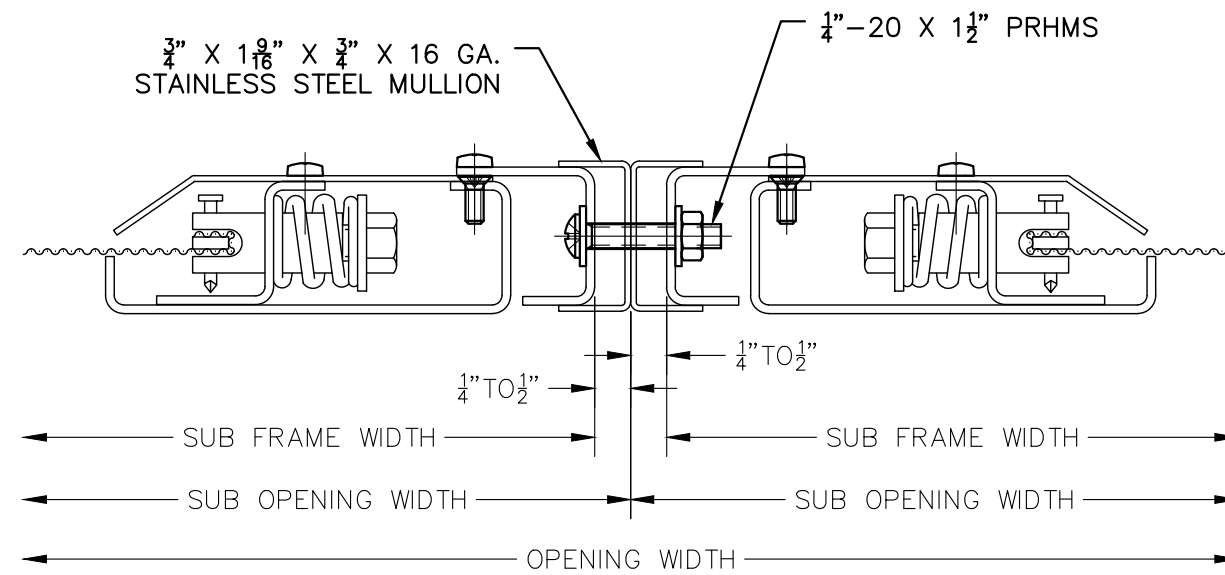
INFORMATION SHOWN ON THIS DRAWING IS PROPRIETARY AND THE SOLE PROPERTY OF KANE INNOVATIONS CORPORATION AND IS NOT TO BE REPRODUCED, DISCLOSED, OR TRANSMITTED TO OTHERS FOR ANY PURPOSE NOT AUTHORIZED BY KANE INNOVATIONS CORPORATION.



3 LEFT JAMB
Scale: 6"=1'-0"



4 RIGHT JAMB
Scale: 6"=1'-0"



5 MULLION DETAIL
Scale: 6"=1'-0"

REV	BY	DATE	DESCRIPTION

REVISION LOG

KANE INNOVATIONS
GUARDIANS OF SAFE ENVIRONMENTS
KANE DETENTION FACILITY PROJECT BY KANE

EBERLE, PENNSYLVANIA 16808
PH#: 800-773-2439
www.kaneinnovations.com

© 2021

PROJECT: **X-DEN-I**
PROJECT NO.: **SS DEFENDER INTERVIEW SCREEN**

REVEAL MOUNT

DRAWN	DATE
	05/01/2014
SCALE	6"=1'-0"
SHEET	D2

INFORMATION SHOWN ON THIS DRAWING IS PROPRIETARY AND THE SOLE PROPERTY OF KANE INNOVATIONS CORPORATION AND IS NOT TO BE REPRODUCED, DISCLOSED, OR TRANSMITTED TO OTHERS FOR ANY PURPOSE NOT AUTHORIZED BY KANE INNOVATIONS CORPORATION.