

REV	BY	DATE	DESCRIPTION

REVISION LOG

KANE INNOVATIONS
 GUARDIANS OF SAFE ENVIRONMENTS
 KANE SECURITY
 SERVING BY NAME

© 2021

© 2021

A-PRO-Z
 ALUMINUM PROTECTOR - FIXED
 REVEAL MOUNT

PROJECT

PROJECT NO.

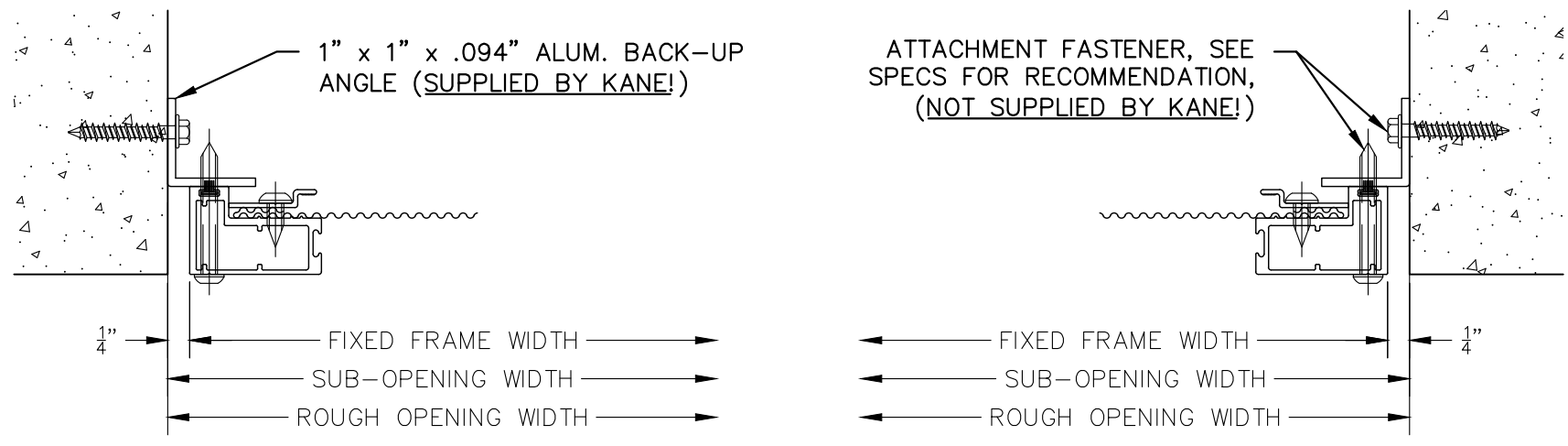
DRAWN DATE
 09/15/2014

SCALE
 3/4" = 1' - 0"

SHEET
 E1

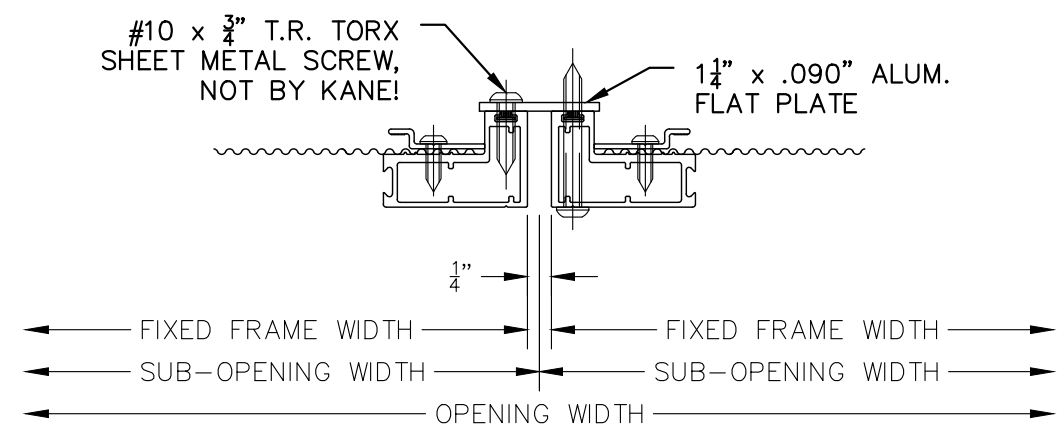
INFORMATION SHOWN ON THIS DRAWING IS PROPRIETARY AND THE SOLE PROPERTY OF KANE INNOVATIONS CORPORATION, AND IS NOT TO BE REPRODUCED, DISCLOSED, OR TRANSMITTED TO OTHERS FOR ANY PURPOSE NOT AUTHORIZED BY KANE INNOVATIONS CORPORATION.

PH#: 800-773-2439
 www.kaneinnovations.com



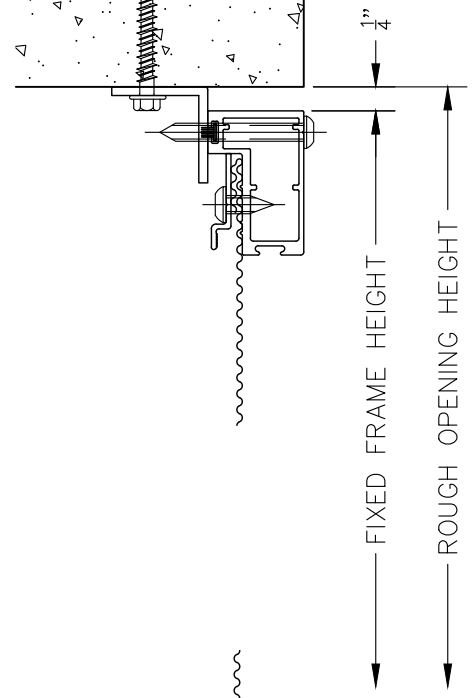
3 LEFT JAMB
6"=1'-0"

4 RIGHT JAMB
6"=1'-0"

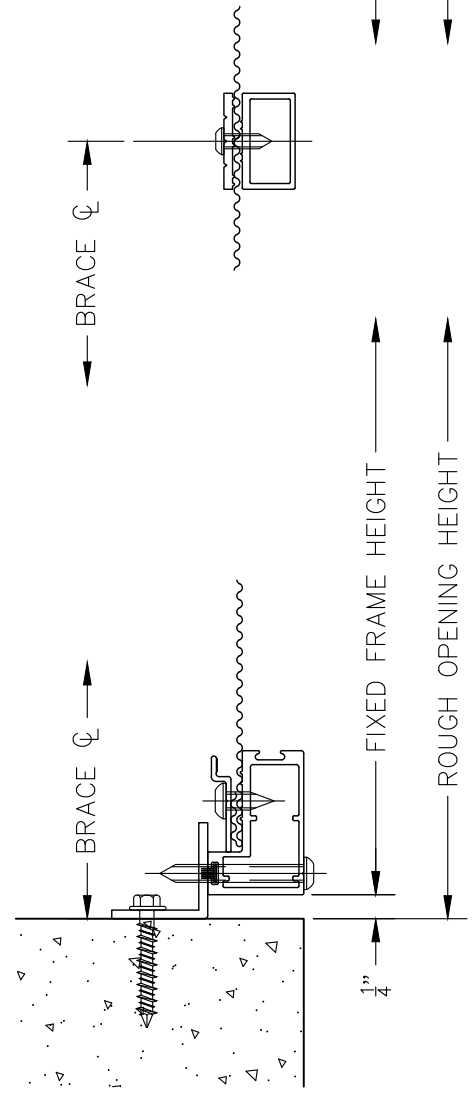


5 MULLION DETAIL
6"=1'-0"

1 1/4" MIN. WHEN MOUNTING INTO MASONRY SUBSTRATE!



1 HEAD DETAIL
6"=1'-0"



6 BRACE DETAIL
6"=1'-0"

2 SILL DETAIL
6"=1'-0"

REV.	BY	DATE	DESCRIPTION

KANE INNOVATIONS
GUARDIANS OF SAFE ENVIRONMENTS
KANE SECURITY
SERVING BY KANE

© 2021

A-PRO-Z
ALUMINUM PROTECTOR - FIXED
REVEAL MOUNT

PROJECT: _____
PROJECT NO.: _____

DRAWN: _____ DATE: 09/15/2014

SCALE: 6" = 1' - 0"

SHEET: D1

INFORMATION SHOWN ON THIS DRAWING IS PROPRIETARY AND THE SOLE PROPERTY OF KANE INNOVATIONS CORPORATION, AND IS NOT TO BE REPRODUCED, DISCLOSED, OR TRANSMITTED TO OTHERS FOR ANY PURPOSE NOT AUTHORIZED BY KANE INNOVATIONS CORPORATION.