

REV	BY	DATE	DESCRIPTION

**REVISION LOG**

**KANE INNOVATIONS**  
 GUARDIANS OF SAFE ENVIRONMENTS  
 KANE SECURITY  
 SERVING BY NAME

© 2021

INFORMATION SHOWN ON THIS DRAWING IS PROPRIETARY AND THE SOLE PROPERTY OF KANE INNOVATIONS CORPORATION, AND IS NOT TO BE REPRODUCED, DISCLOSED, OR TRANSMITTED TO OTHERS FOR ANY PURPOSE NOT AUTHORIZED BY KANE INNOVATIONS CORPORATION.

PHILADELPHIA, PA 19106  
 PH: 800-773-2439  
 WWW.KANEINNOVATIONS.COM

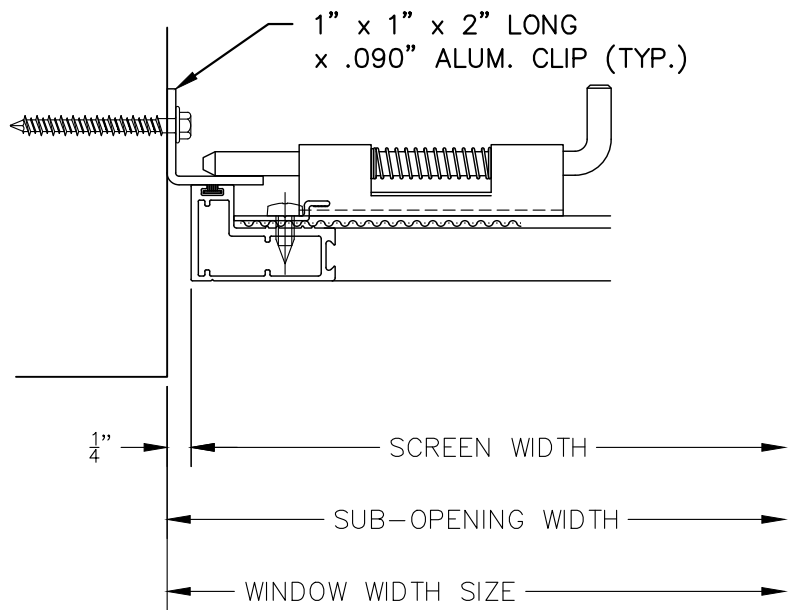
**A-PRO-B**  
**ALUMINUM PROTECTOR - TOP HINGE**  
**REVEAL MOUNT**

PROJECT: \_\_\_\_\_  
 PROJECT NO.: \_\_\_\_\_

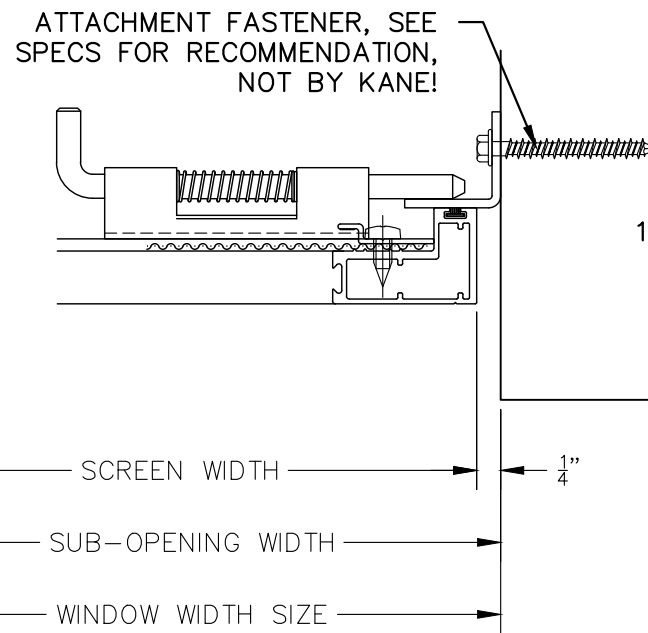
DRAWN: \_\_\_\_\_ DATE: 09/15/2014

SCALE: 3/4" = 1" - 0"

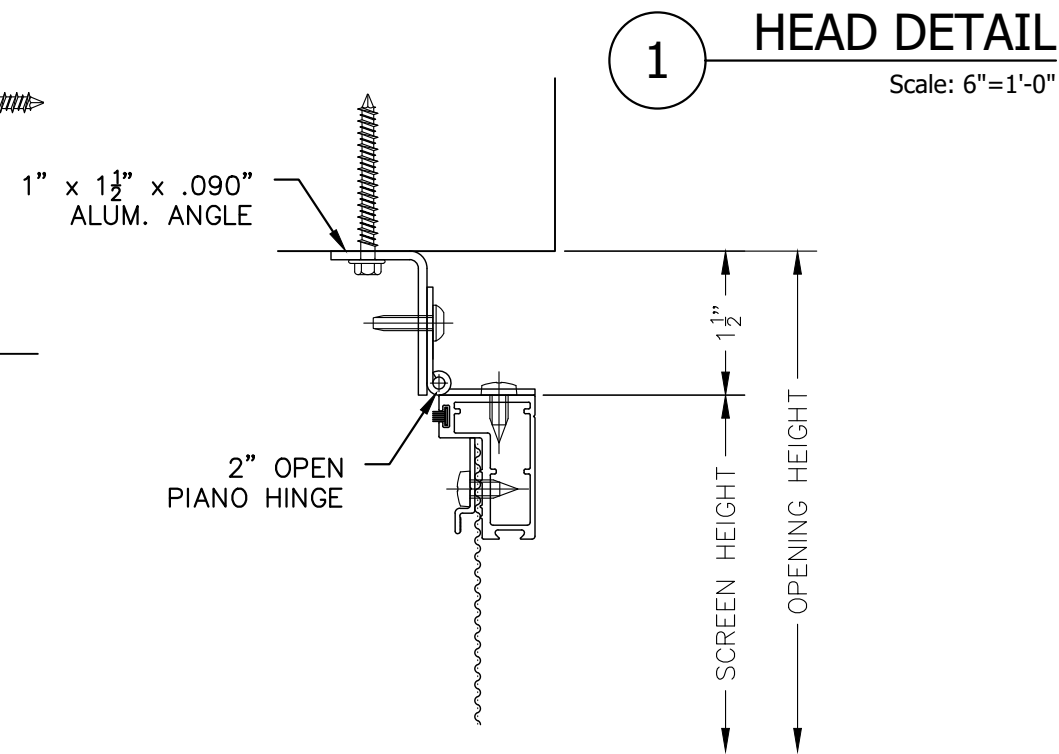
SHEET: E1



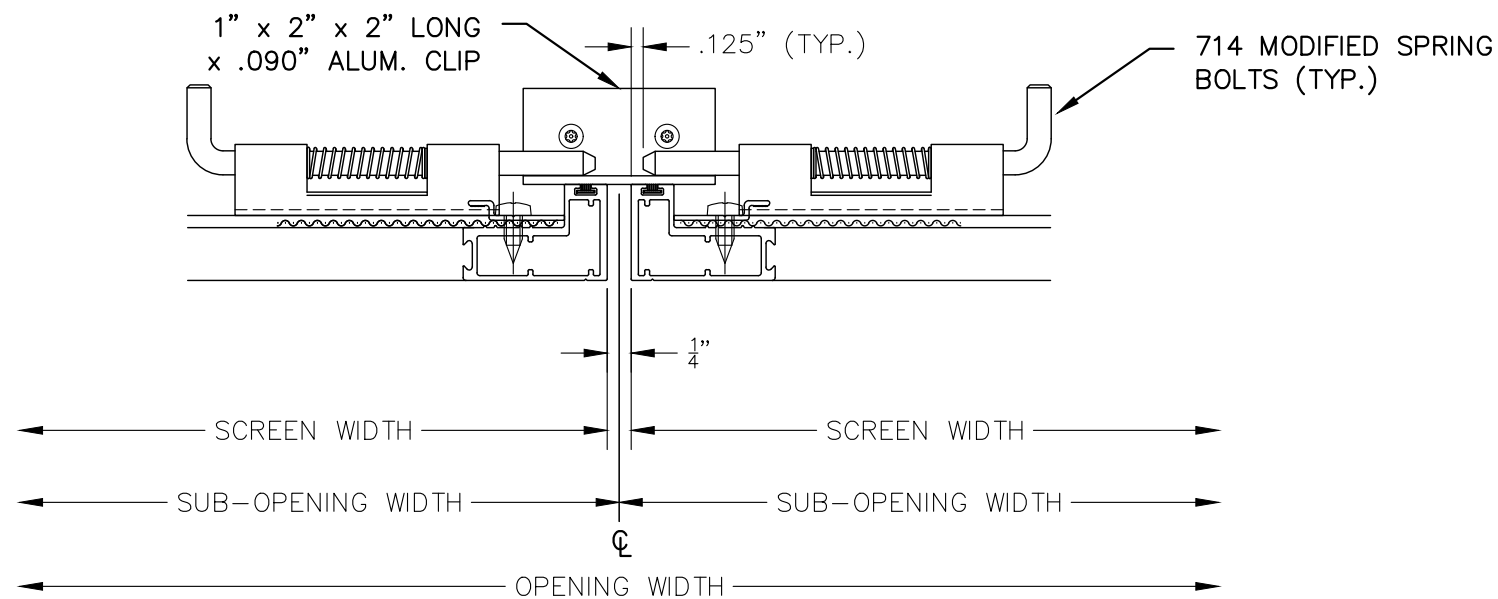
**3 LEFT JAMB**  
Scale: 6"=1'-0"



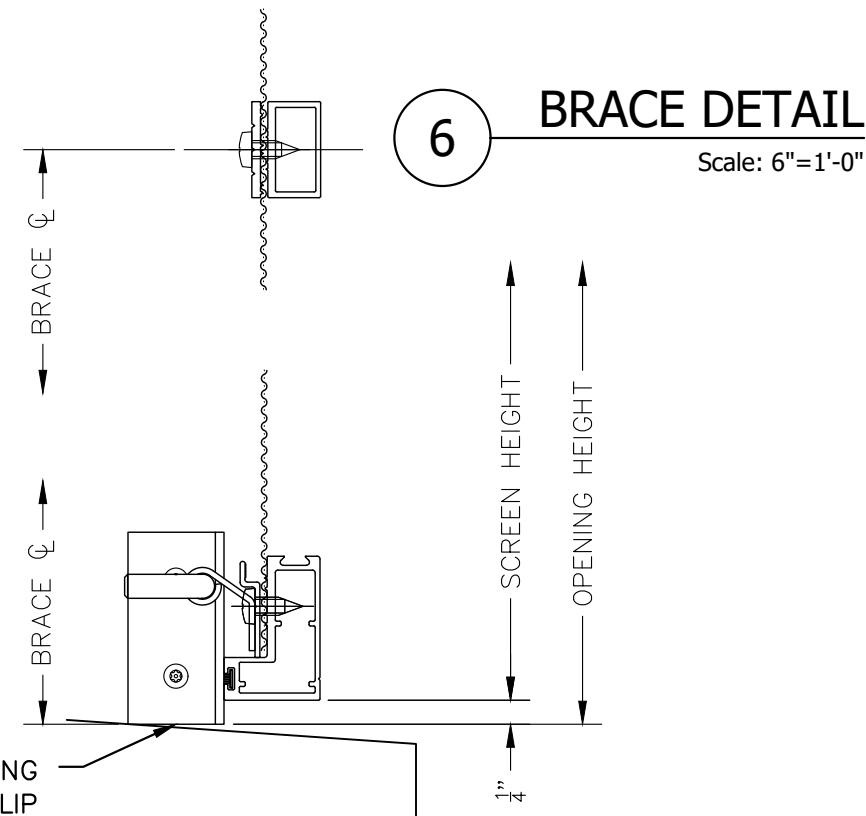
**4 RIGHT JAMB**  
Scale: 6"=1'-0"



**1 HEAD DETAIL**  
Scale: 6"=1'-0"



**5 MULLION DETAIL**  
Scale: 6"=1'-0"



**6 BRACE DETAIL**  
Scale: 6"=1'-0"

**2 SILL DETAIL**  
Scale: 6"=1'-0"

REV	BY	DATE	DESCRIPTION

**KANE INNOVATIONS**  
GUARDIANS OF SAFE ENVIRONMENTS  
KANE SECURITY  
FORMING BY KANE

© 2021

PROJECT: **A-PRO-B**  
PROJECT NO.: **ALUMINUM PROTECTOR - TOP HINGE**  
REVEAL MOUNT

DRAWN	DATE
	09/15/2014
SCALE	6" = 1' - 0"
SHEET	D1

INFORMATION SHOWN ON THIS DRAWING IS PROPRIETARY AND THE SOLE PROPERTY OF KANE INNOVATIONS CORPORATION AND IS NOT TO BE REPRODUCED, DISCLOSED, OR TRANSMITTED TO OTHERS FOR ANY PURPOSE NOT AUTHORIZED BY KANE INNOVATIONS CORPORATION.