

REV	BY	DATE	DESCRIPTION

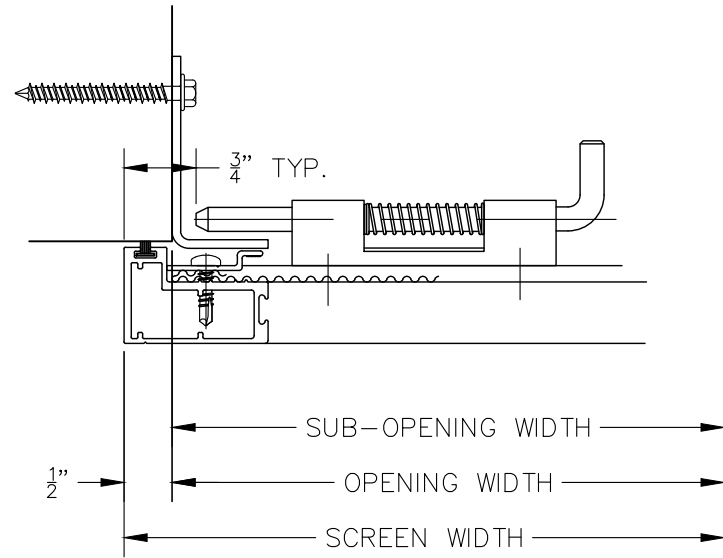
KANE INNOVATIONS
 GUARDIANS OF SAFE ENVIRONMENTS
 KANE SECURITY
 SERVING BY NAME

© 2021

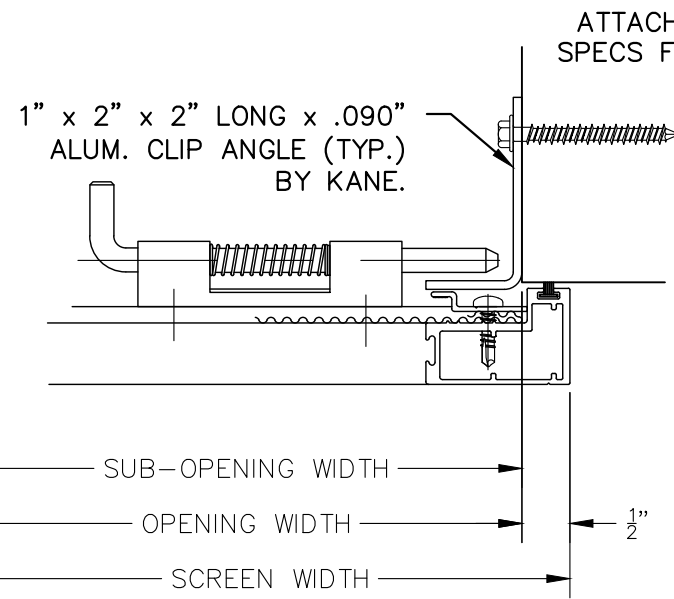
INFORMATION SHOWN ON THIS DRAWING IS PROPRIETARY AND THE SOLE PROPERTY OF KANE INNOVATIONS CORPORATION, AND IS NOT TO BE REPRODUCED, DISCLOSED, OR TRANSMITTED TO OTHERS FOR ANY PURPOSE NOT AUTHORIZED BY KANE INNOVATIONS CORPORATION.

A-PRO-B
ALUMINUM PROTECTOR - TOP HINGE
SURFACE MOUNT

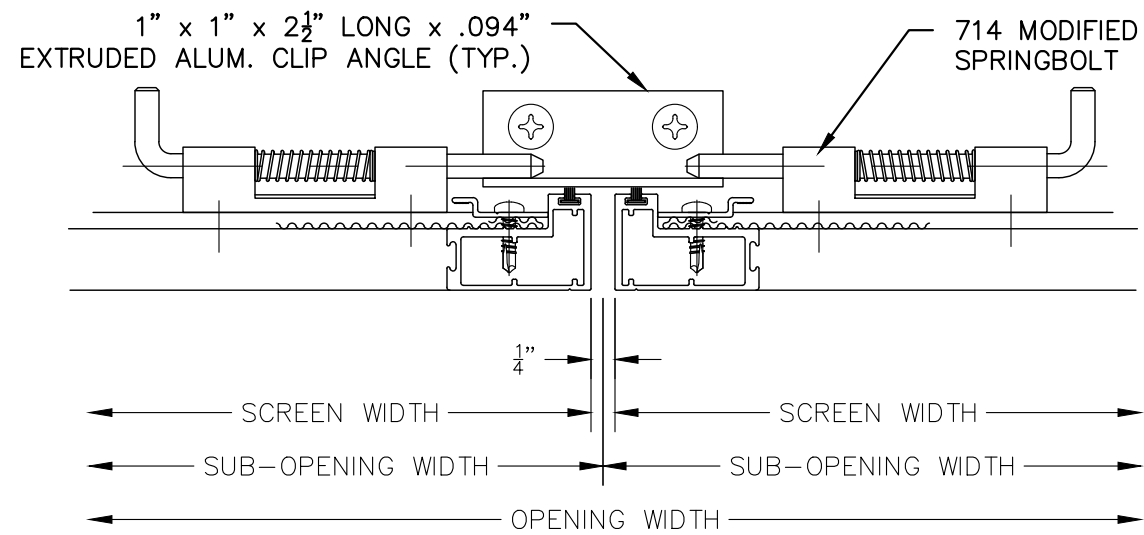
PROJECT	PROJECT NO.
DRAWN	DATE
SCALE	3/4" = 1" - 0"
SHEET	E1



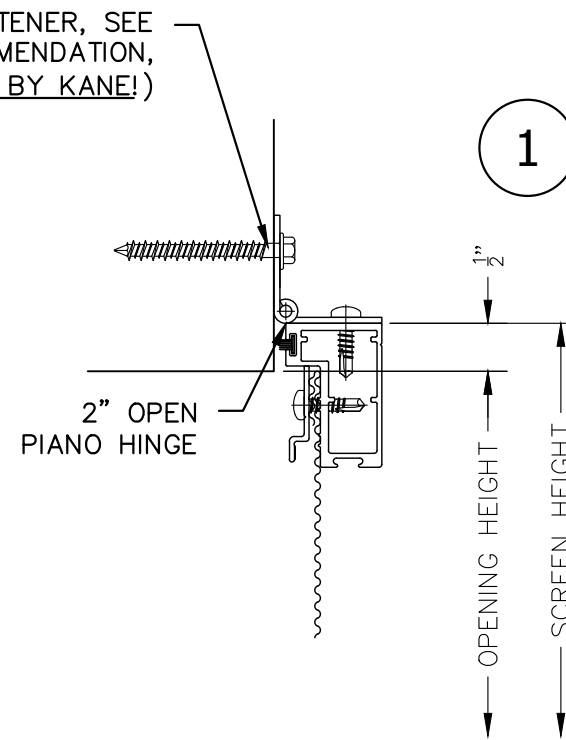
3 LEFT JAMB
HALF SCALE



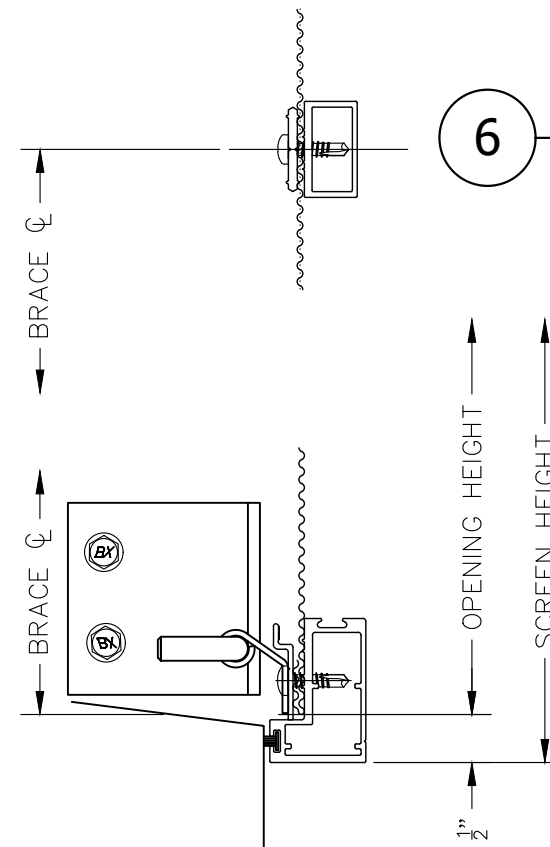
4 RIGHT JAMB
HALF SCALE



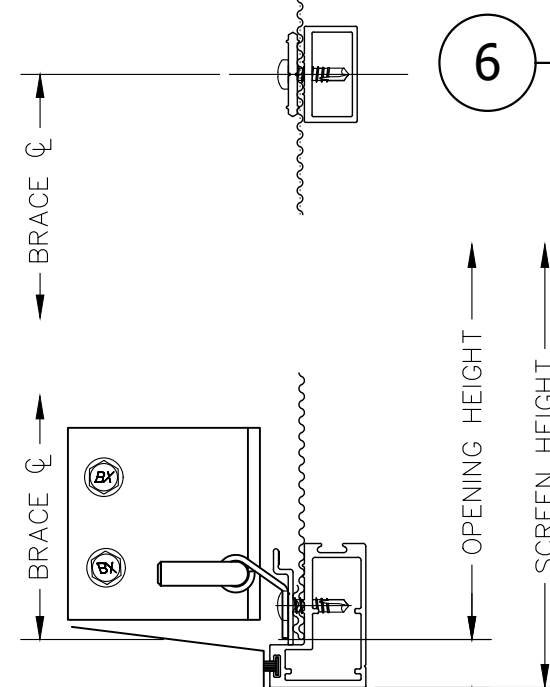
5 MULLION DETAIL
HALF SCALE



1 HEAD DETAIL
HALF SCALE



2 SILL DETAIL
HALF SCALE



6 BRACE DETAIL
HALF SCALE

REV	BY	DATE	DESCRIPTION

KANE INNOVATIONS
GUARDIANS OF SAFE ENVIRONMENTS
KANE SECURITY
FORMING BY KANE

© 2021

A-PRO-B
ALUMINUM PROTECTOR - TOP HINGE
SURFACE MOUNT

PROJECT	
PROJECT NO.	
DRAWN	DATE
	09/15/2014
SCALE	
	HALF SCALE
SHEET	
	D1

INFORMATION SHOWN ON THIS DRAWING IS PROPRIETARY AND THE SOLE PROPERTY OF KANE INNOVATIONS CORPORATION, AND IS NOT TO BE REPRODUCED, DISCLOSED, OR TRANSMITTED TO OTHERS FOR ANY PURPOSE NOT AUTHORIZED BY KANE INNOVATIONS CORPORATION.