

PROJECT

PROJECT NO.

DRAWN DATE
 09/15/2014

SCALE
 3/4" = 1' - 0"

SHEET
 E1

A-VNG-O
ALUMINUM VAN GUARD - OPERABLE
REVEAL MOUNT

© 2021

KANE INNOVATIONS
 GUARDIANS OF SAFE ENVIRONMENTS
 KANE SECURITY
 SERVING BY NAME
 PIRIE, PENNSYLVANIA 16506
 PH: 800-773-2439
 www.kaneinnovations.com

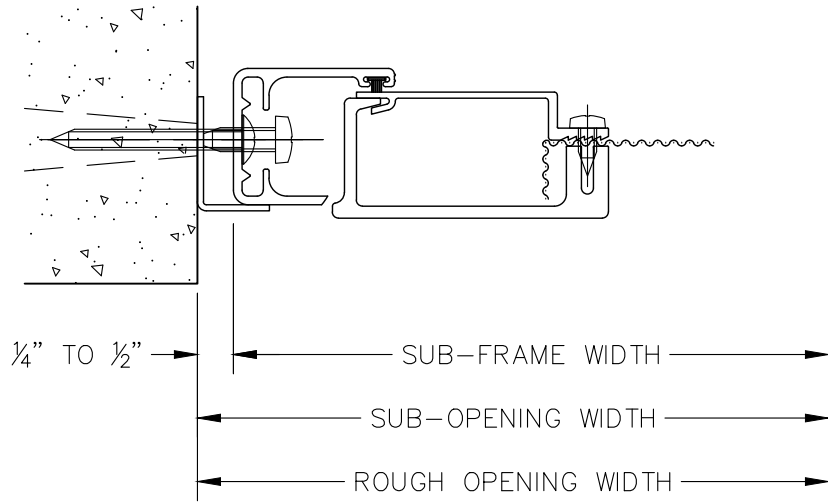
REVISION LOG

REV	BY	DATE	DESCRIPTION

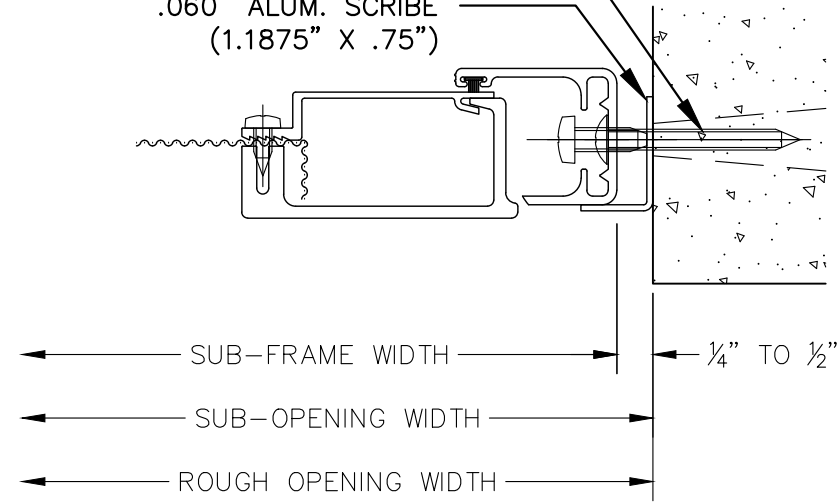
INFORMATION SHOWN ON THIS DRAWING IS PROPRIETARY AND THE SOLE PROPERTY OF KANE INNOVATIONS CORPORATION, AND IS NOT TO BE REPRODUCED, DISCLOSED, OR TRANSMITTED TO OTHERS FOR ANY PURPOSE NOT AUTHORIZED BY KANE INNOVATIONS CORPORATION.

ATTACHMENT FASTENER
(SEE SPECS FOR RECOMMENDATION)
NOT BY KANE

.060" ALUM. SCRIBE
(1.1875" X .75")



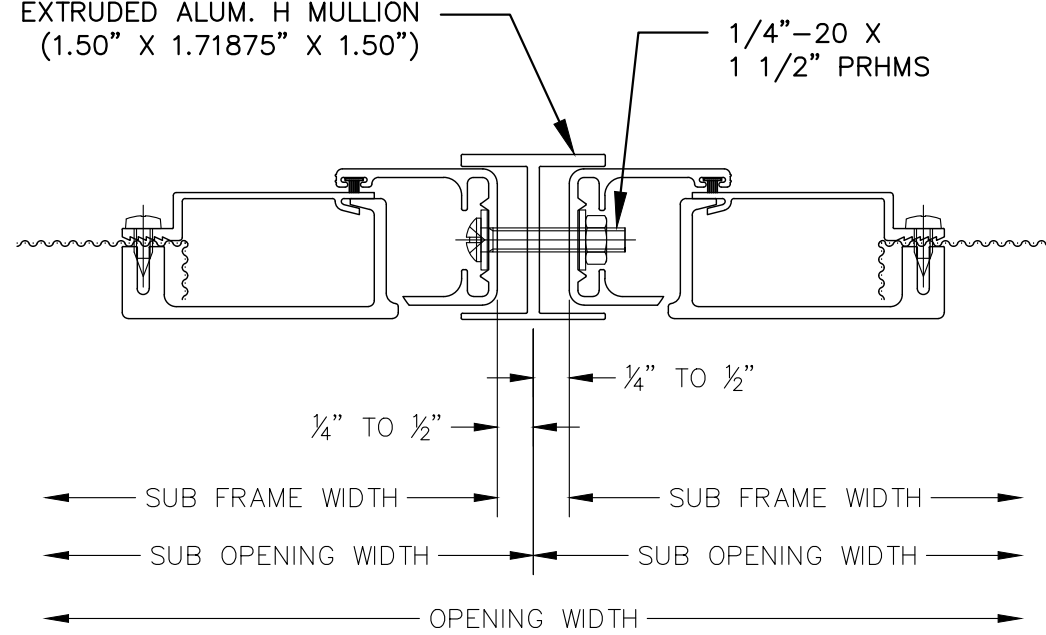
3 LEFT JAMB
Scale: 6"=1'-0"



4 RIGHT JAMB
Scale: 6"=1'-0"

EXTRUDED ALUM. H MULLION
(1.50" X 1.71875" X 1.50")

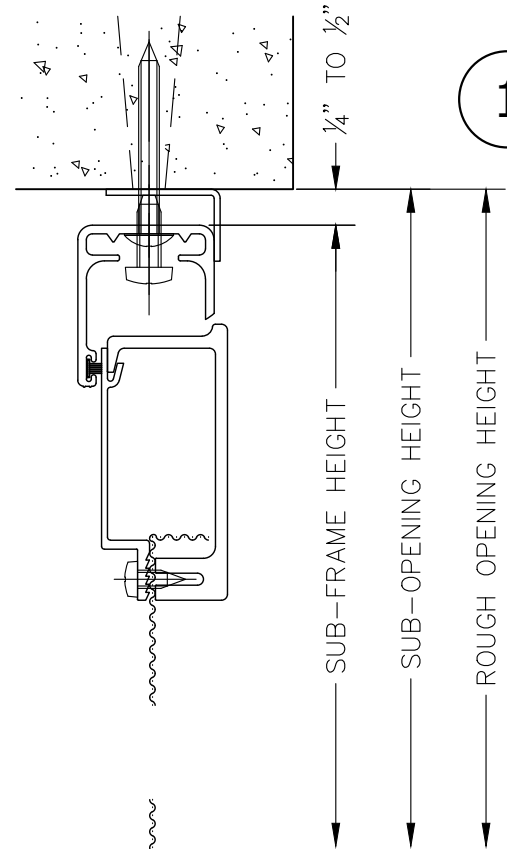
1/4"-20 X
1 1/2" PRHMS



5 MULLION DETAIL
Scale: 6"=1'-0"

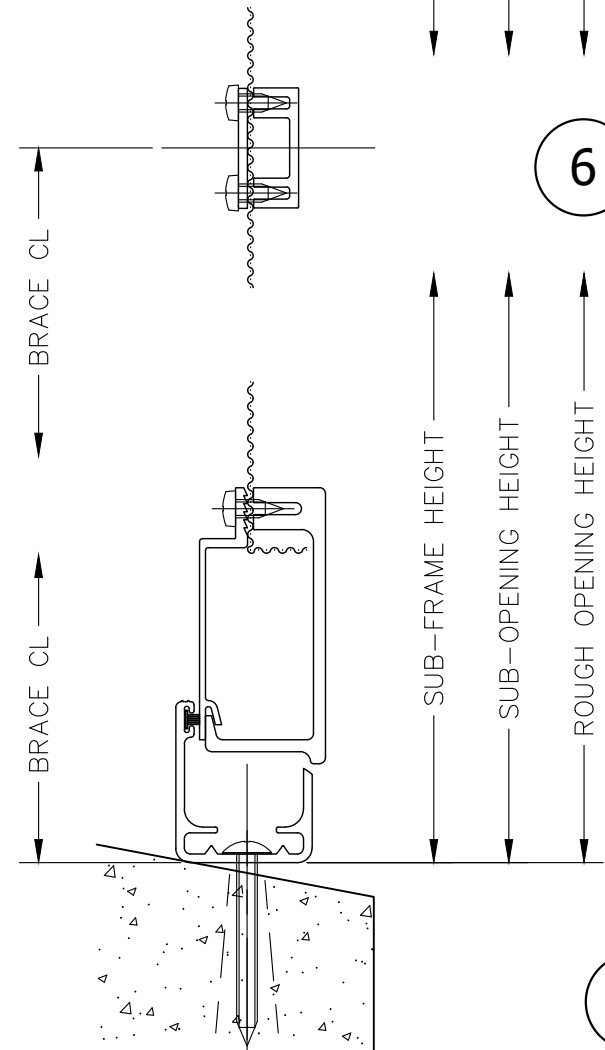
1 HEAD DETAIL

Scale: 6"=1'-0"



6 BRACE DETAIL

Scale: 6"=1'-0"



2 SILL DETAIL

Scale: 6"=1'-0"

REV	BY	DATE	DESCRIPTION

KANE INNOVATIONS
GUARDIANS OF SAFE ENVIRONMENTS
KANE SECURITY
FORMING BY KANE

© 2021

A-VNG-O
ALUMINUM VAN GUARD - OPERABLE
REVEAL MOUNT

PROJECT	PROJECT NO.
DRAWN	DATE
SCALE	6" = 1' - 0"
SHEET	D1

INFORMATION SHOWN ON THIS DRAWING IS PROPRIETARY AND THE SOLE PROPERTY OF KANE INNOVATIONS CORPORATION, AND IS NOT TO BE REPRODUCED, DISCLOSED, OR TRANSMITTED TO OTHERS FOR ANY PURPOSE NOT AUTHORIZED BY KANE INNOVATIONS CORPORATION.