

REV	BY	DATE	DESCRIPTION

KANE INNOVATIONS
 GUARDIANS OF SAFE ENVIRONMENTS
 KANE SECURITY
 SERVING BY NAME

© 2021

INFORMATION SHOWN ON THIS DRAWING IS PROPRIETARY AND THE SOLE PROPERTY OF KANE INNOVATIONS CORPORATION, AND IS NOT TO BE REPRODUCED, DISCLOSED, OR TRANSMITTED TO OTHERS FOR ANY PURPOSE NOT AUTHORIZED BY KANE INNOVATIONS CORPORATION.

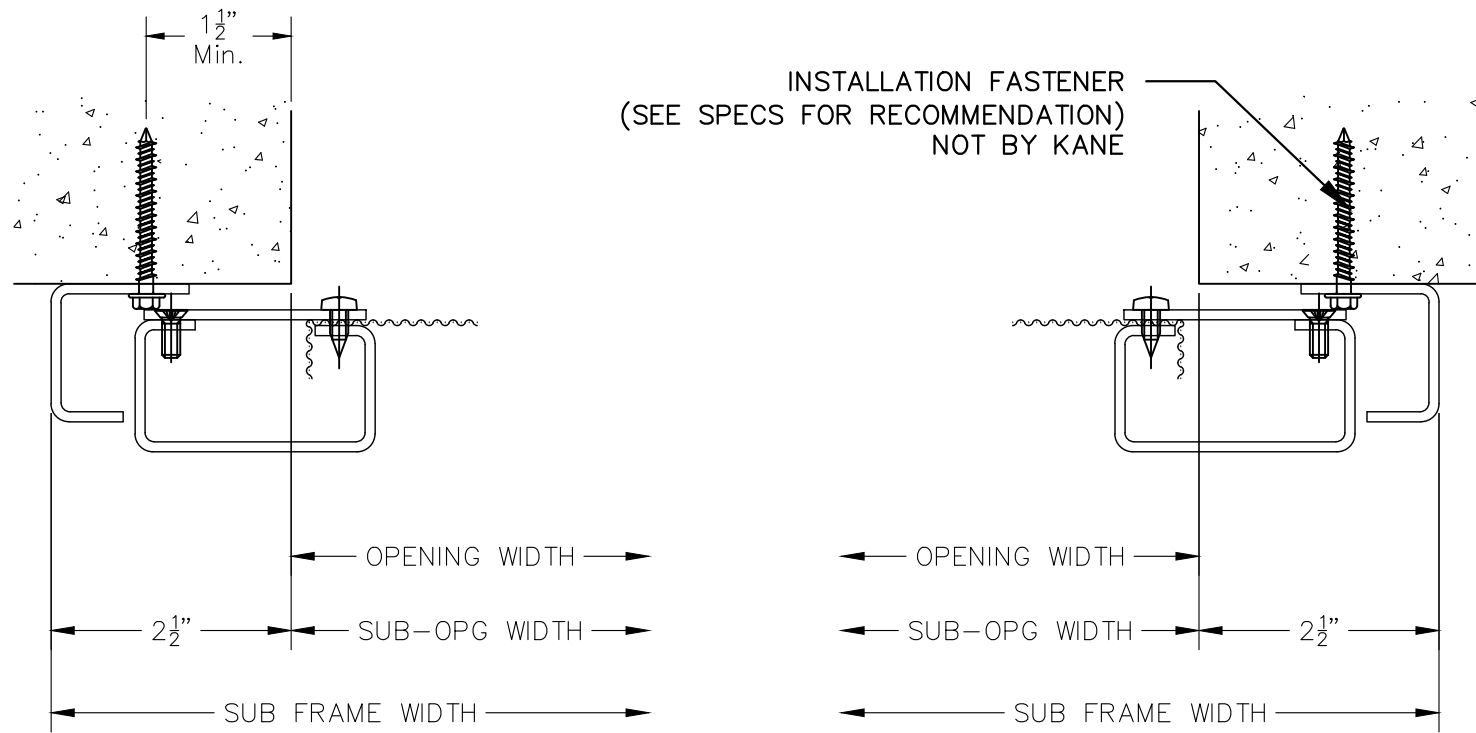
G-VAN-O
 GALV. VAN GUARD - OPERABLE
 SURFACE MOUNT

PROJECT: _____
 PROJECT NO.: _____

DRAWN: _____ DATE: 09/15/2014

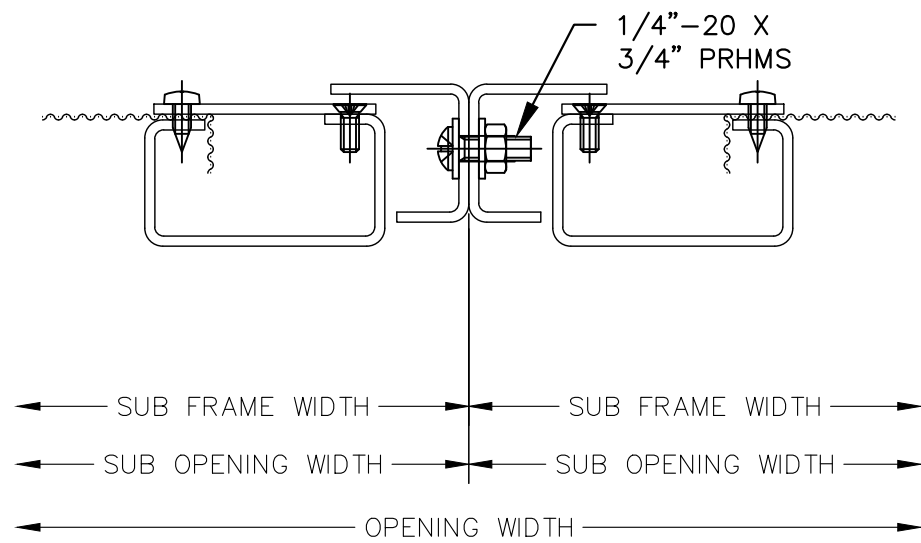
SCALE: 3/4" = 1' - 0"

SHEET: E1

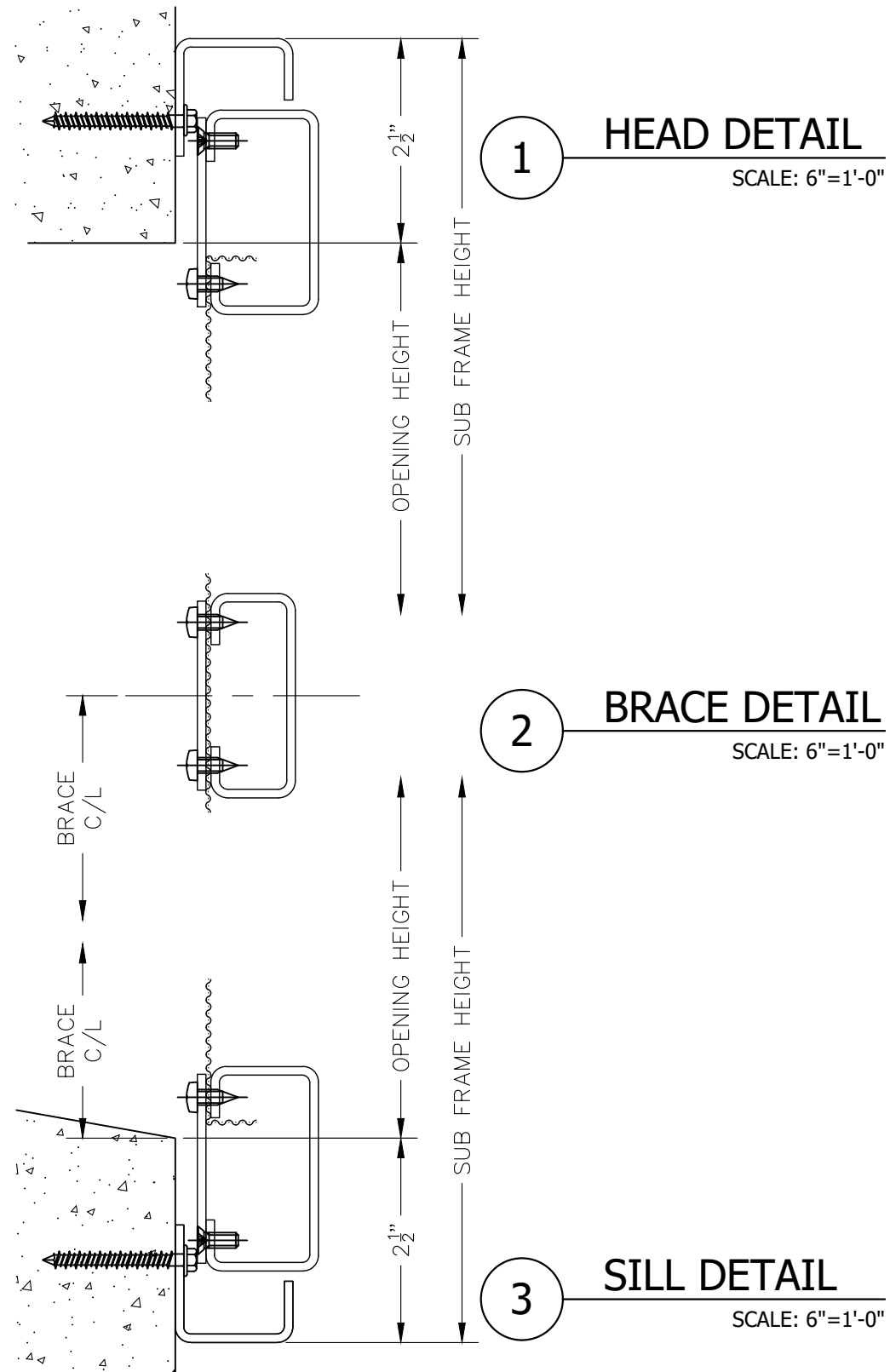


4 LEFT JAMB
SCALE: 6"=1'-0"

5 RIGHT JAMB
SCALE: 6"=1'-0"



6 MULLION DETAIL
SCALE: 6"=1'-0"



1 HEAD DETAIL
SCALE: 6"=1'-0"

2 BRACE DETAIL
SCALE: 6"=1'-0"

3 SILL DETAIL
SCALE: 6"=1'-0"

REV	BY	DATE	DESCRIPTION

KANE INNOVATIONS
GUARDIANS OF SAFE ENVIRONMENTS
KANE SECURITY
FORMING BY KANE

© 2021

PROJECT	
PROJECT NO.	
DRAWN	DATE
	09/15/2014
SCALE	
6" = 1' - 0"	
SHEET	
D1	

INFORMATION SHOWN ON THIS DRAWING IS PROPRIETARY AND THE SOLE PROPERTY OF KANE INNOVATIONS CORPORATION, AND IS NOT TO BE REPRODUCED, DISCLOSED, OR TRANSMITTED TO OTHERS FOR ANY PURPOSE NOT AUTHORIZED BY KANE INNOVATIONS CORPORATION.

G-VAN-O
GALV. VAN GUARD - OPERABLE
SURFACE MOUNT