

| REV | BY | DATE | DESCRIPTION |
|-----|----|------|-------------|
|     |    |      |             |
|     |    |      |             |
|     |    |      |             |

REVISION LOG

**KANE ARCHITECTURAL INNOVATIONS**  
 GUARDIANS OF SAFE ENVIRONMENTS  
 KANE SECURITY ARCHITECTURE BY KANE  
 16506  
 PH: 800-773-2439  
 www.kaneinnovations.com

© 2021

**S-VAN-O**  
**STEEL VAN GUARD - OPERABLE**  
**SURFACE MOUNT**

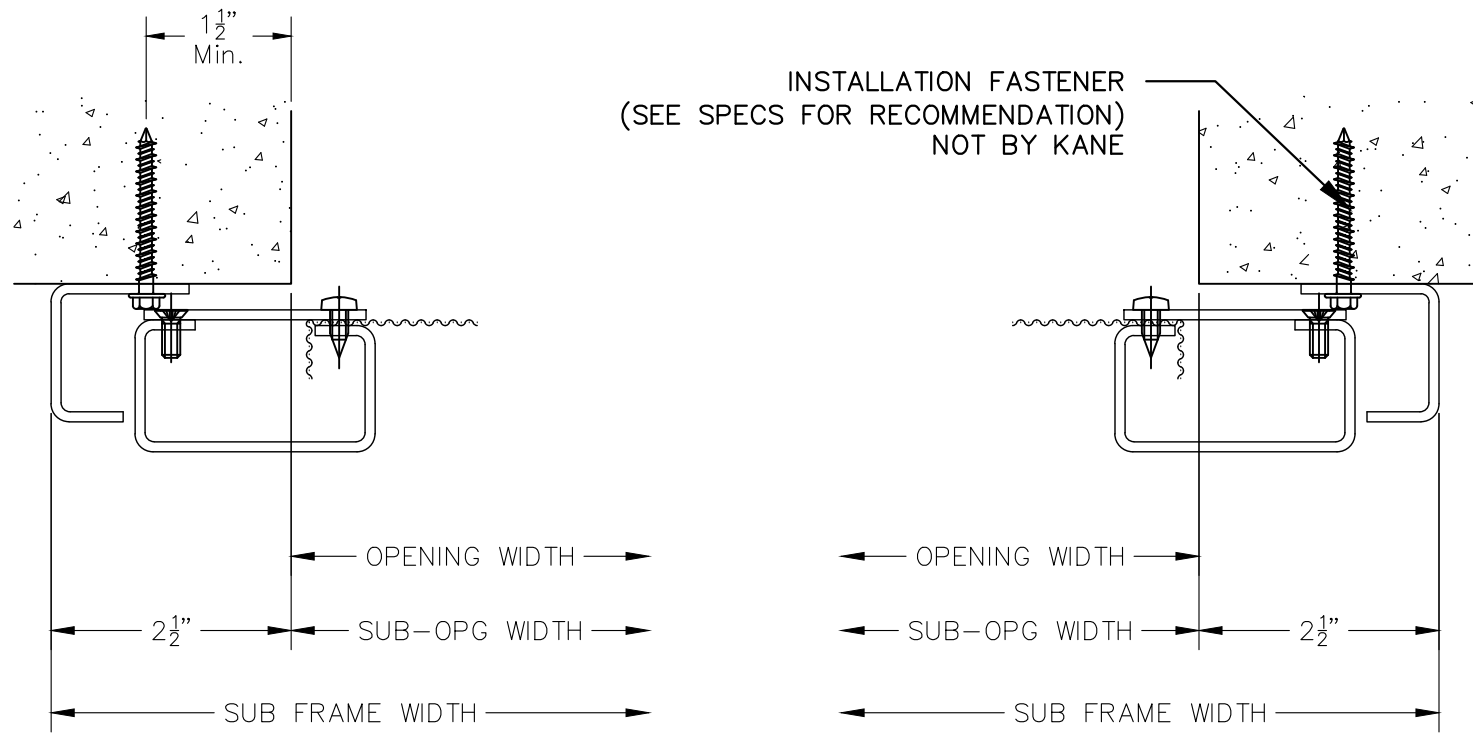
PROJECT NO.

DRAWN DATE  
 05/01/2014

SCALE  
 3/4"=1'-0"

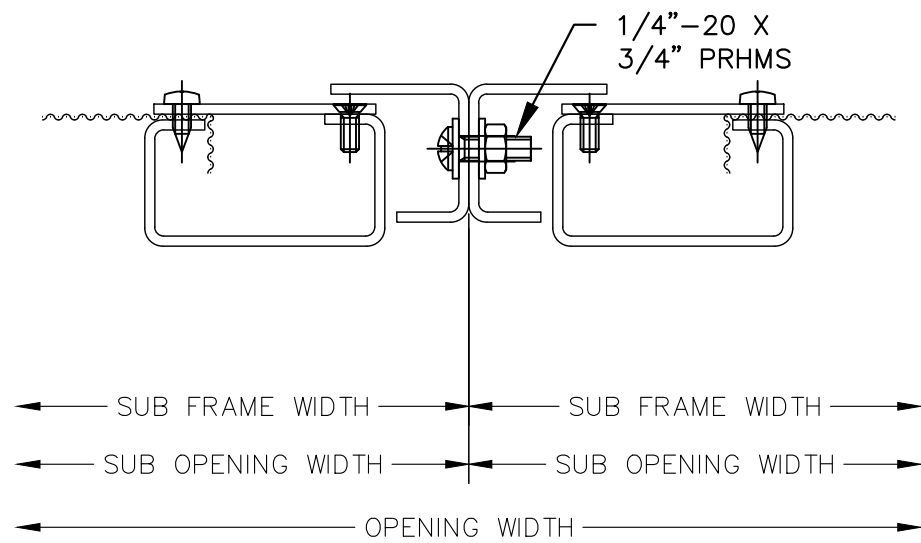
SHEET  
 E1

INFORMATION SHOWN ON THIS DRAWING IS PROPRIETARY AND THE SOLE PROPERTY OF KANE MANUFACTURING CORPORATION AND IS NOT TO BE REPRODUCED, DISCLOSED, OR TRANSMITTED TO OTHERS FOR ANY PURPOSE NOT AUTHORIZED BY KANE MANUFACTURING CORPORATION.

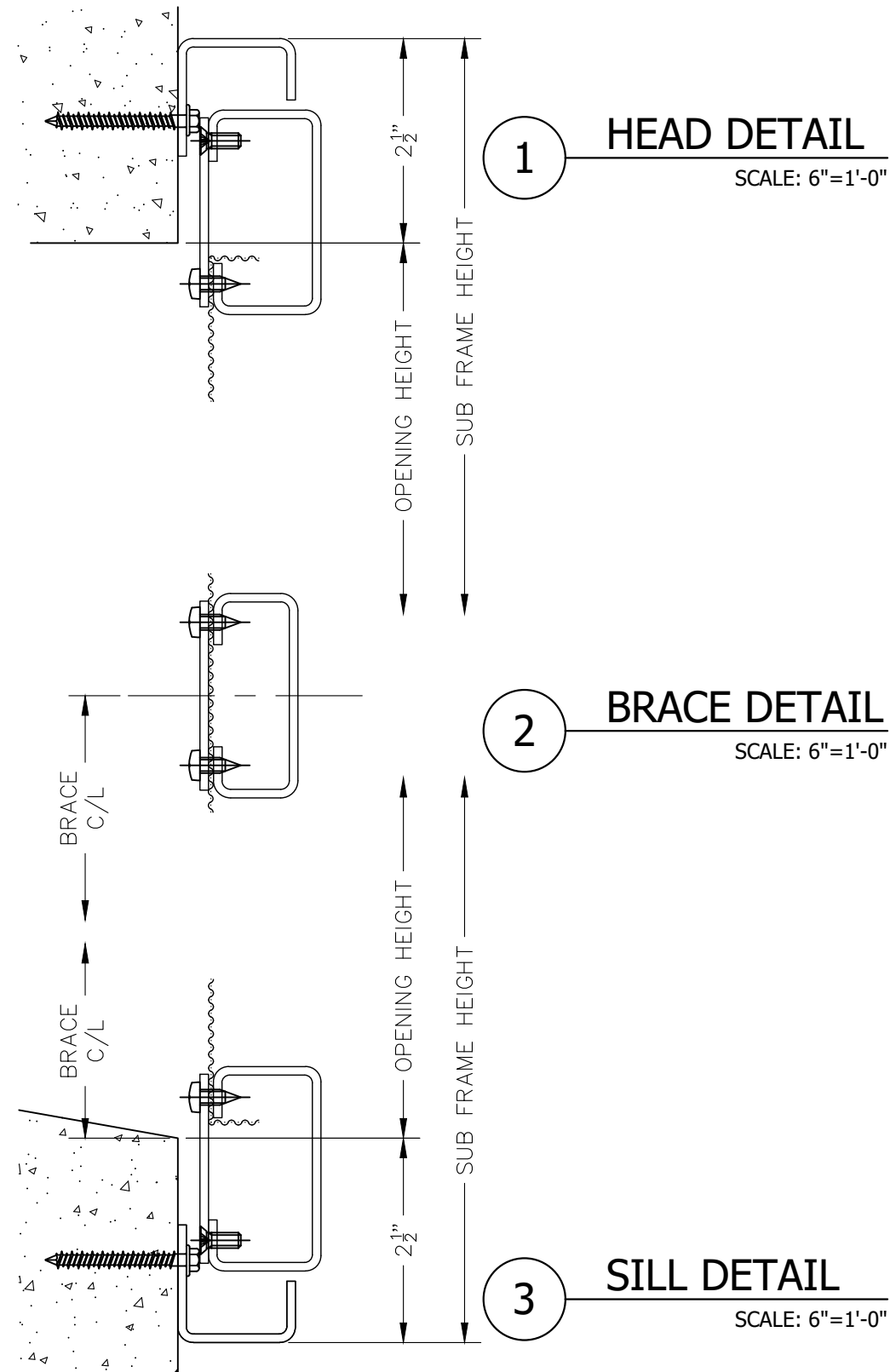


**4 LEFT JAMB**  
SCALE: 6"=1'-0"

**5 RIGHT JAMB**  
SCALE: 6"=1'-0"



**6 MULLION DETAIL**  
SCALE: 6"=1'-0"



**1 HEAD DETAIL**  
SCALE: 6"=1'-0"

**2 BRACE DETAIL**  
SCALE: 6"=1'-0"

**3 SILL DETAIL**  
SCALE: 6"=1'-0"

| REV | BY | DATE | DESCRIPTION |
|-----|----|------|-------------|
|     |    |      |             |
|     |    |      |             |
|     |    |      |             |

**KANE ARCHITECTURAL INNOVATIONS**  
GUARDIANS OF SAFE ENVIRONMENTS  
KANE SECURITY ARCHITECTURE BY KANE

PHILADELPHIA, PA 19106  
PH: 800-773-2439  
WWW.KANEARCHITECTURALINNOVATIONS.COM

© 2021

|                                   |            |
|-----------------------------------|------------|
| <b>S-VAN-O</b>                    |            |
| <b>STEEL VAN GUARD - OPERABLE</b> |            |
| <b>SURFACE MOUNT</b>              |            |
| PROJECT                           |            |
| PROJECT NO.                       |            |
| DRAWN                             | DATE       |
|                                   | 05/01/2014 |
| SCALE                             | 6"=1'-0"   |
| SHEET                             | D1         |

INFORMATION SHOWN ON THIS DRAWING IS PROPRIETARY AND THE SOLE PROPERTY OF KANE MANUFACTURING CORPORATION AND IS NOT TO BE REPRODUCED, DISCLOSED, OR TRANSMITTED TO OTHERS FOR ANY PURPOSE NOT AUTHORIZED BY KANE MANUFACTURING CORPORATION.