

REV	BY	DATE	DESCRIPTION

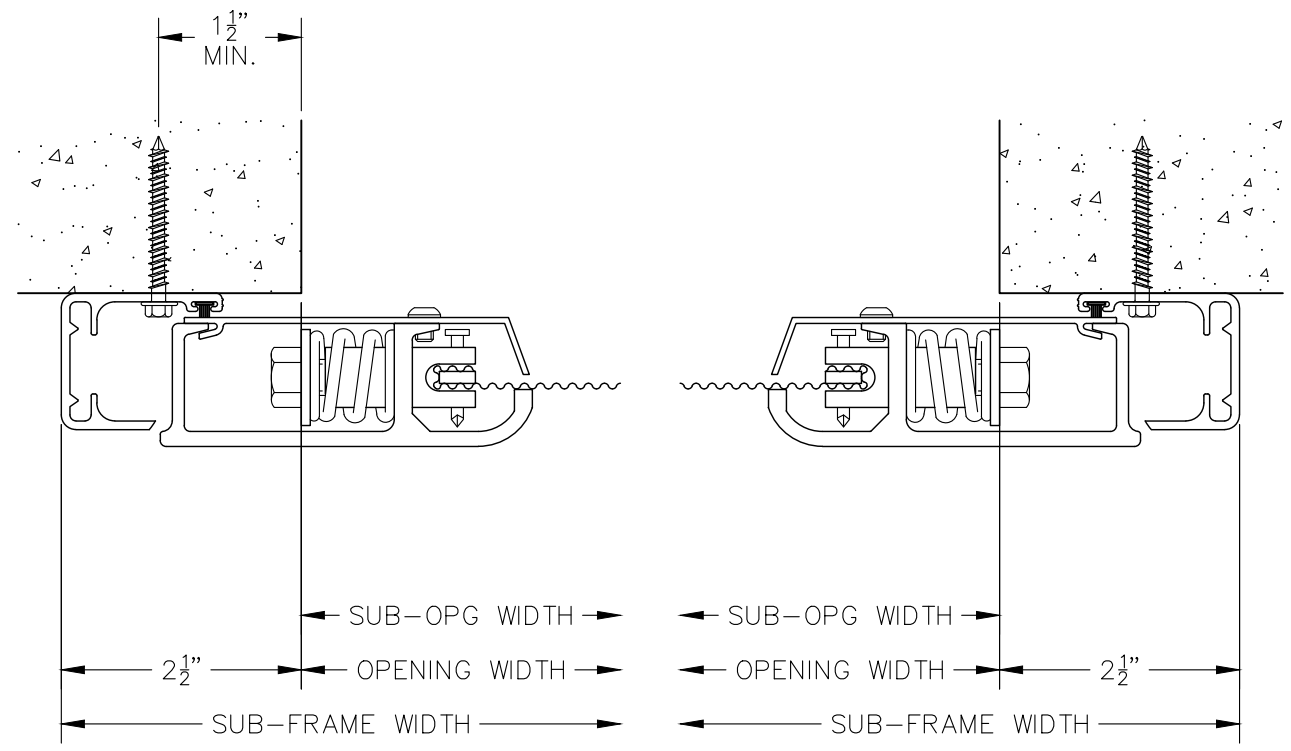
KANE INNOVATIONS
 GUARDIANS OF SAFE ENVIRONMENTS
 KANE SECURITY
 SERVING BY NAME

© 2021

INFORMATION SHOWN ON THIS DRAWING IS PROPRIETARY AND THE SOLE PROPERTY OF KANE INNOVATIONS CORPORATION, AND IS NOT TO BE REPRODUCED, DISCLOSED, OR TRANSMITTED TO OTHERS FOR ANY PURPOSE NOT AUTHORIZED BY KANE INNOVATIONS CORPORATION.

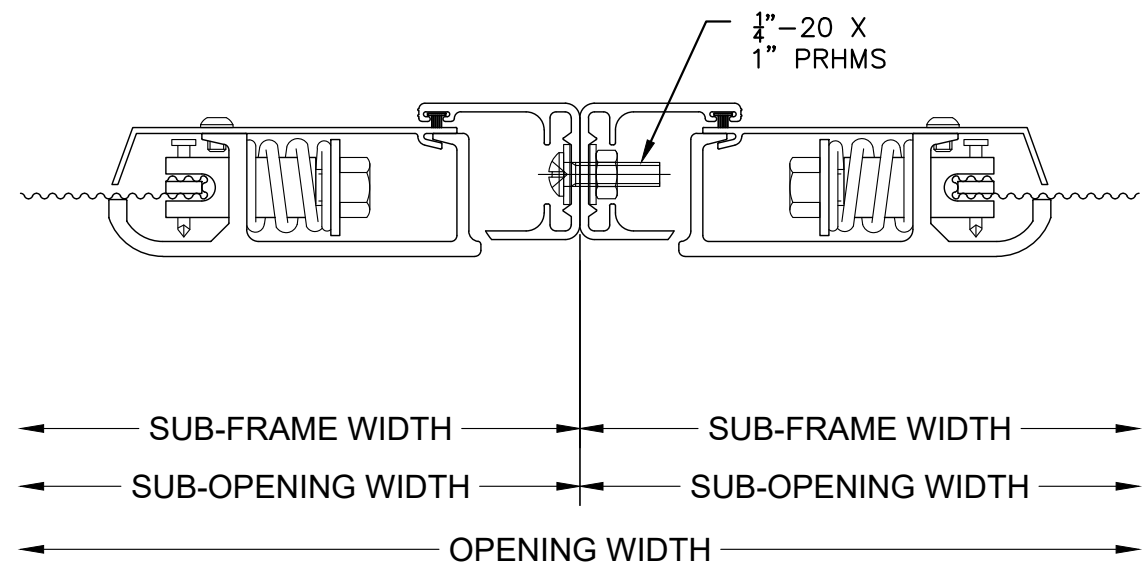
A-DEF-O
ALUMINUM DEFENDER - OPERABLE
SURFACE MOUNT

PROJECT	
PROJECT NO.	
DRAWN	DATE
	09/15/2014
SCALE	
	3/4" = 1'-0"
SHEET	
	E1

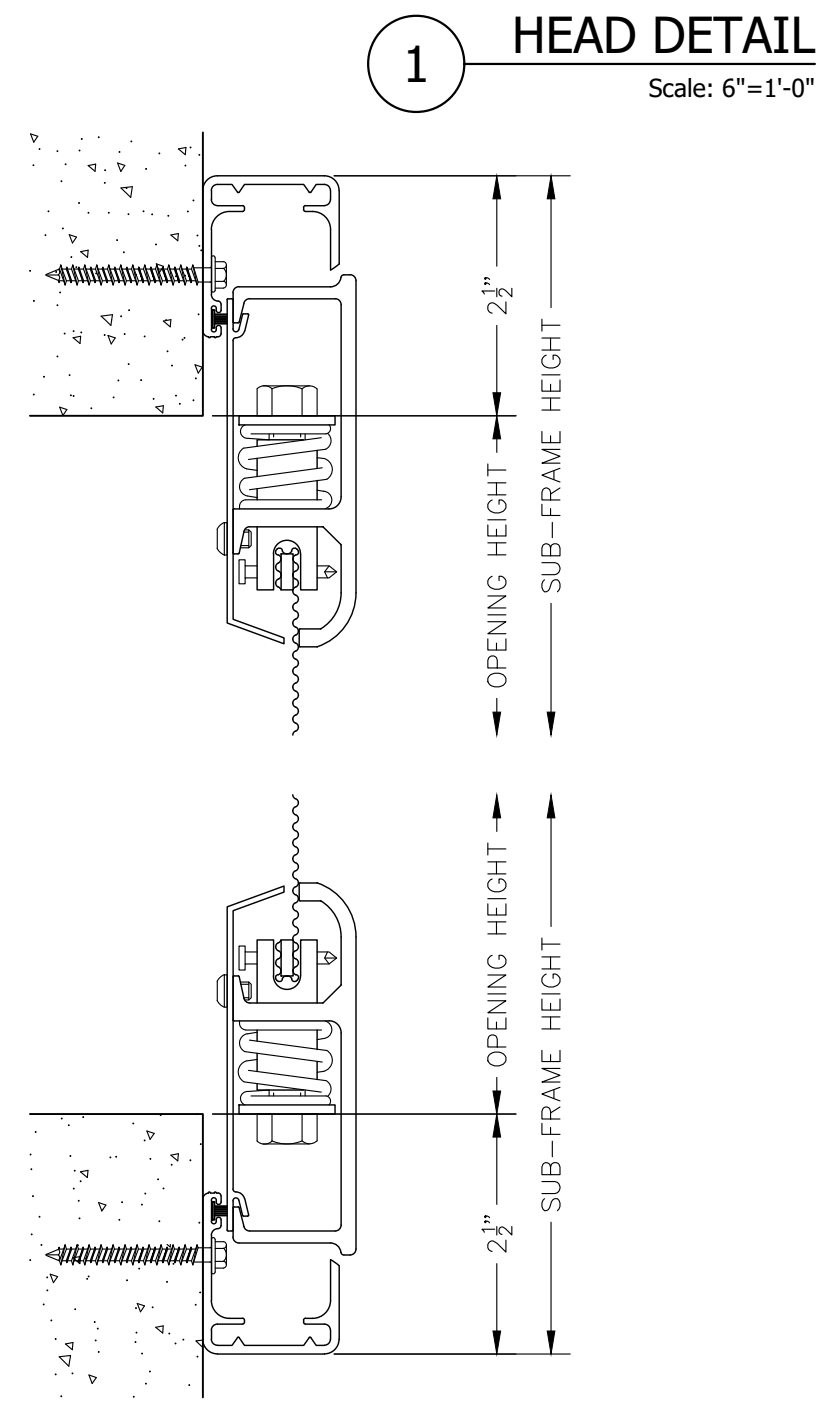


3 LEFT JAMB
Scale: 6"=1'-0"

4 RIGHT JAMB
Scale: 6"=1'-0"



5 MULLION DETAIL
Scale: 6"=1'-0"



1 HEAD DETAIL
Scale: 6"=1'-0"

2 SILL DETAIL
Scale: 6"=1'-0"

REV	BY	DATE	DESCRIPTION

KANE INNOVATIONS
GUARDIANS OF SAFE ENVIRONMENTS
KANE SECURITY
SERVING BY HAND

16506
PHE, PENNSYLVANIA 16506
PH#: 800-773-2439
www.kaneinnovations.com

© 2021

A-DEF-O
ALUMINUM DEFENDER - OPERABLE
SURFACE MOUNT

PROJECT	
PROJECT NO.	
DRAWN	DATE
	09/15/2014
SCALE	
	HALF SCALE
SHEET	
	D1

INFORMATION SHOWN ON THIS DRAWING IS PROPRIETARY AND THE SOLE PROPERTY OF KANE INNOVATIONS CORPORATION AND IS NOT TO BE REPRODUCED, DISCLOSED, OR TRANSMITTED TO OTHERS FOR ANY PURPOSE NOT AUTHORIZED BY KANE INNOVATIONS CORPORATION.