

REV	BY	DATE	DESCRIPTION

REVISION LOG

**KANE ARCHITECTURAL INNOVATIONS**  
 GUARDIANS OF SAFE ENVIRONMENTS  
 KANE SECURITY  
 POWERED BY KANE

© 2014

INFORMATION SHOWN ON THIS DRAWING IS PROPRIETARY AND THE SOLE PROPERTY OF KANE MANUFACTURING CORPORATION, AND IS NOT TO BE REPRODUCED, DISCLOSED, OR TRANSMITTED TO OTHERS FOR ANY PURPOSE, NOT AUTHORIZED BY KANE MANUFACTURING CORPORATION.

16506  
 1000  
 773-2439  
 www.kanemfg.com

**S-NR5-B**  
 STEEL NARROWLINE - TOP HINGE

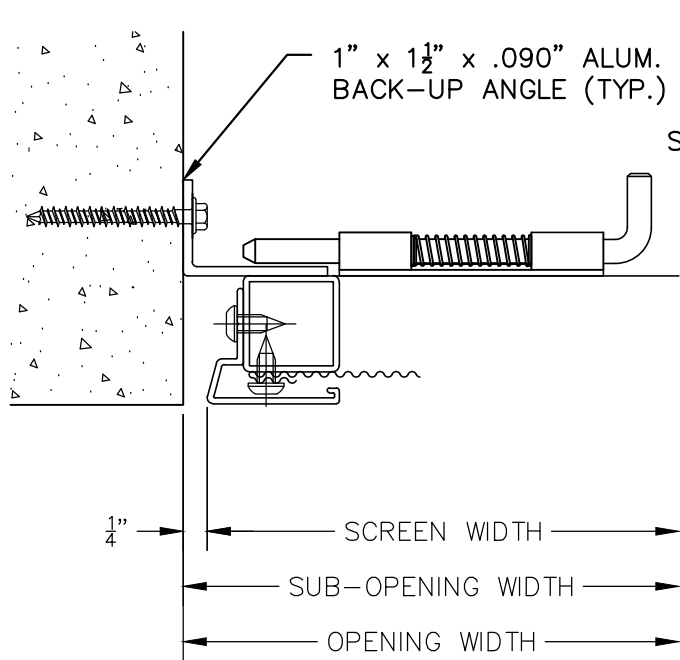
**SPRINGBOLT - REVEAL MOUNT**

PROJECT  
 PROJECT NO.

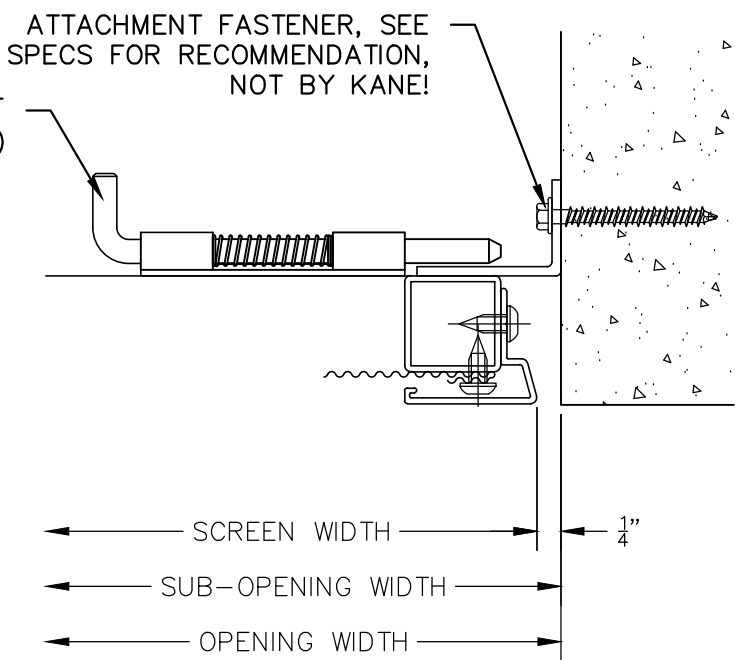
DRAWN DATE  
 05/01/2014

SCALE  
 3/4"=1'-0"

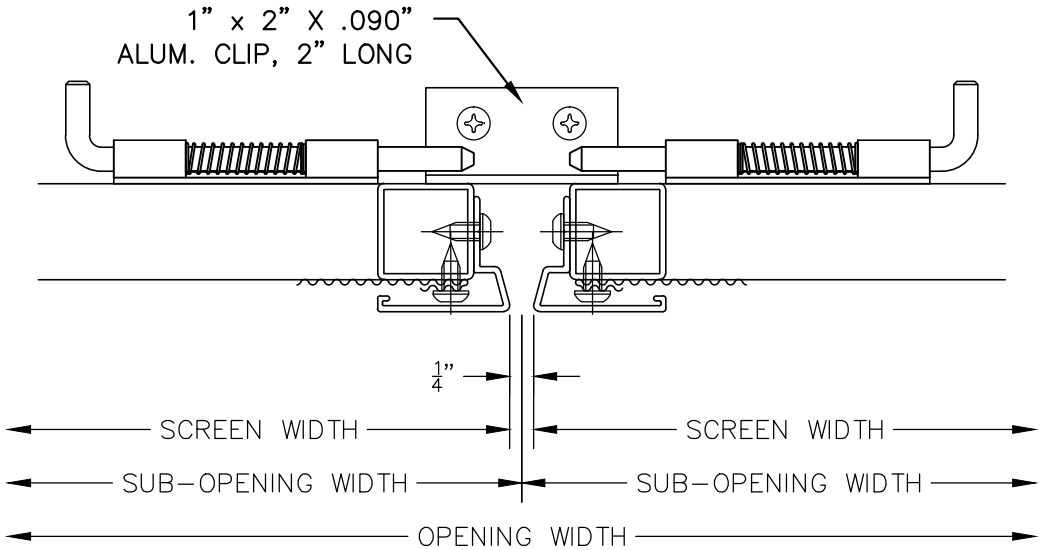
SHEET  
 E1



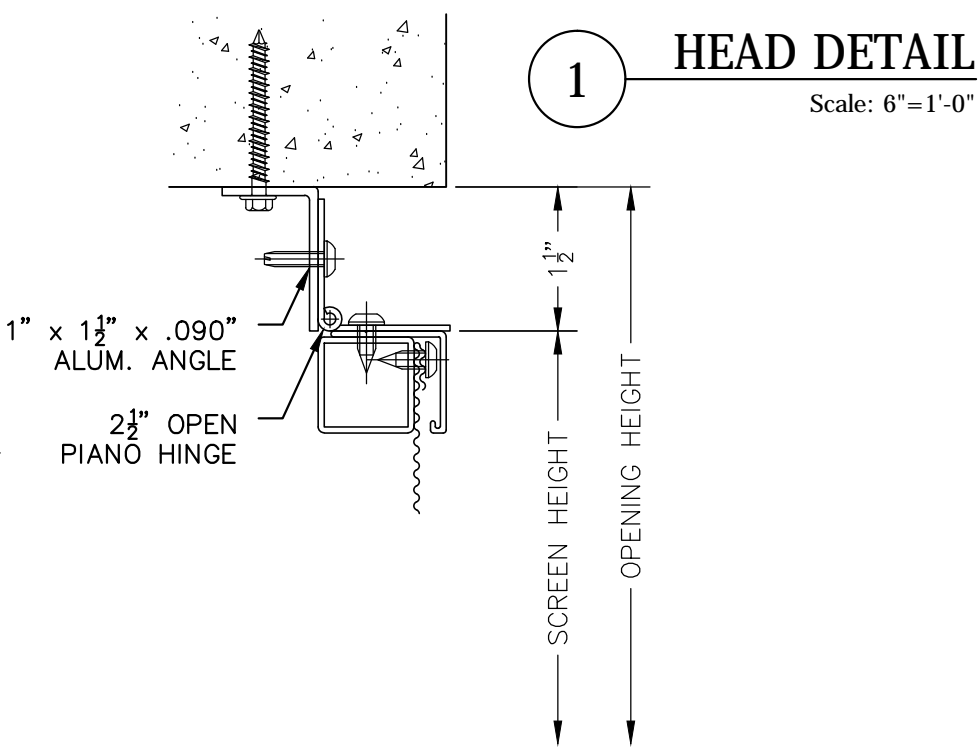
**3 LEFT JAMB**  
Scale: 6"=1'-0"



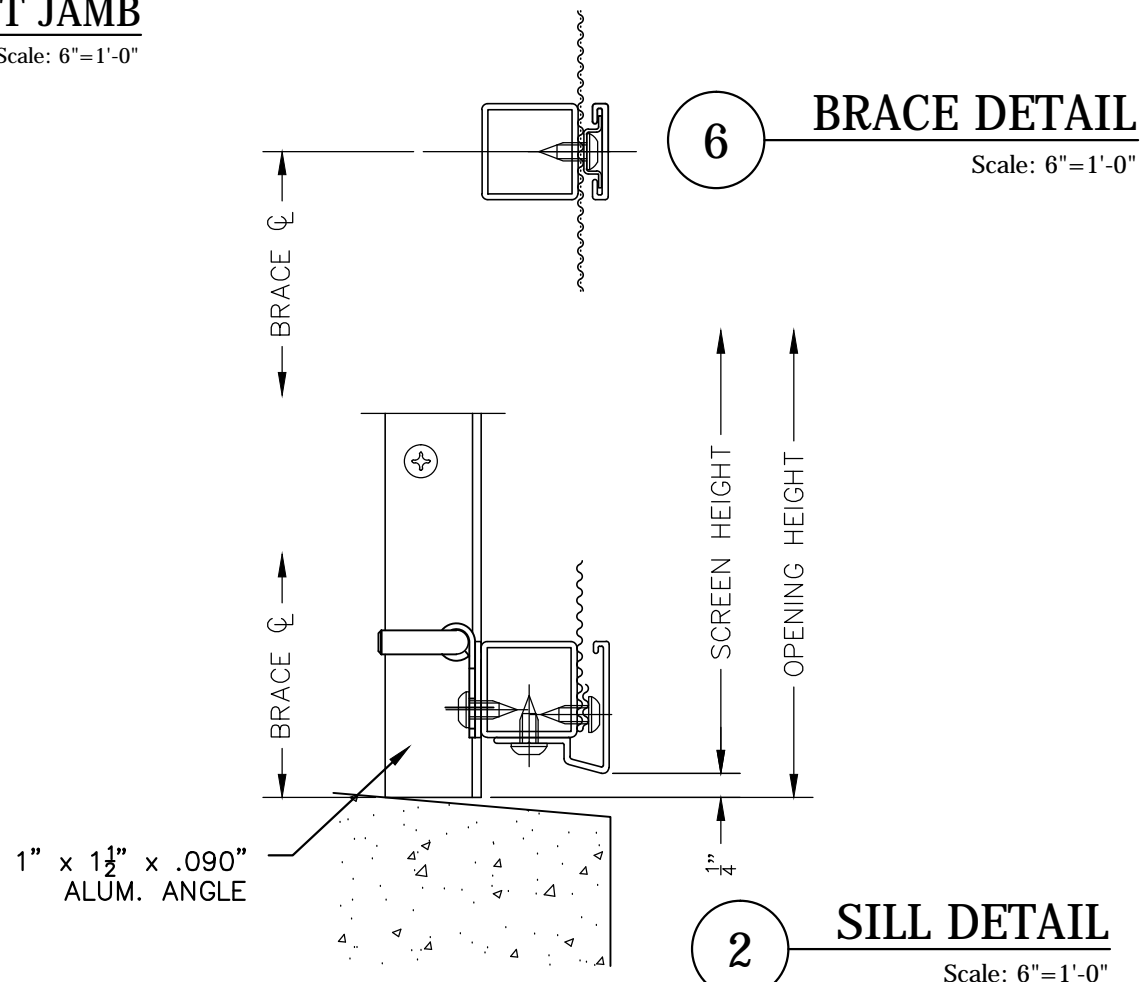
**4 RIGHT JAMB**  
Scale: 6"=1'-0"



**5 MULLION DETAIL**  
Scale: 6"=1'-0"



**1 HEAD DETAIL**  
Scale: 6"=1'-0"



**6 BRACE DETAIL**  
Scale: 6"=1'-0"

**2 SILL DETAIL**  
Scale: 6"=1'-0"

REV	BY	DATE	DESCRIPTION

**KANE ARCHITECTURAL INNOVATIONS**  
GUARDIANS OF SAFE ENVIRONMENTS  
KANE SECURITY  
PROPERTY OF KANE MANUFACTURING CORPORATION. AND IS NOT TO BE REPRODUCED, DISCLOSED, OR TRANSMITTED TO OTHERS FOR ANY PURPOSE. NOT AUTHORIZED BY KANE MANUFACTURING CORPORATION.

© 2014

<b>S-NR5-B</b>	
<b>STEEL NARROWLINE - TOP HINGE</b>	
<b>SPRINGBOLT - REVEAL MOUNT</b>	
PROJECT	PROJECT NO.
DRAWN	DATE
SCALE	6"=1'-0"
SHEET	D1