

REV	BY	DATE	DESCRIPTION

REVISION LOG

KANE ARCHITECTURAL INNOVATIONS
 GUARDIANS OF SAFE ENVIRONMENTS
 KANE SECURITY
 ARCHITECTURE BY NAME

16506
 PH: 800-773-2439
 WWW.KANEARCHITECTURALS.COM

© 2021

S-NR5-Z
STEEL NARROWLINE - FIXED
REVEAL MOUNT

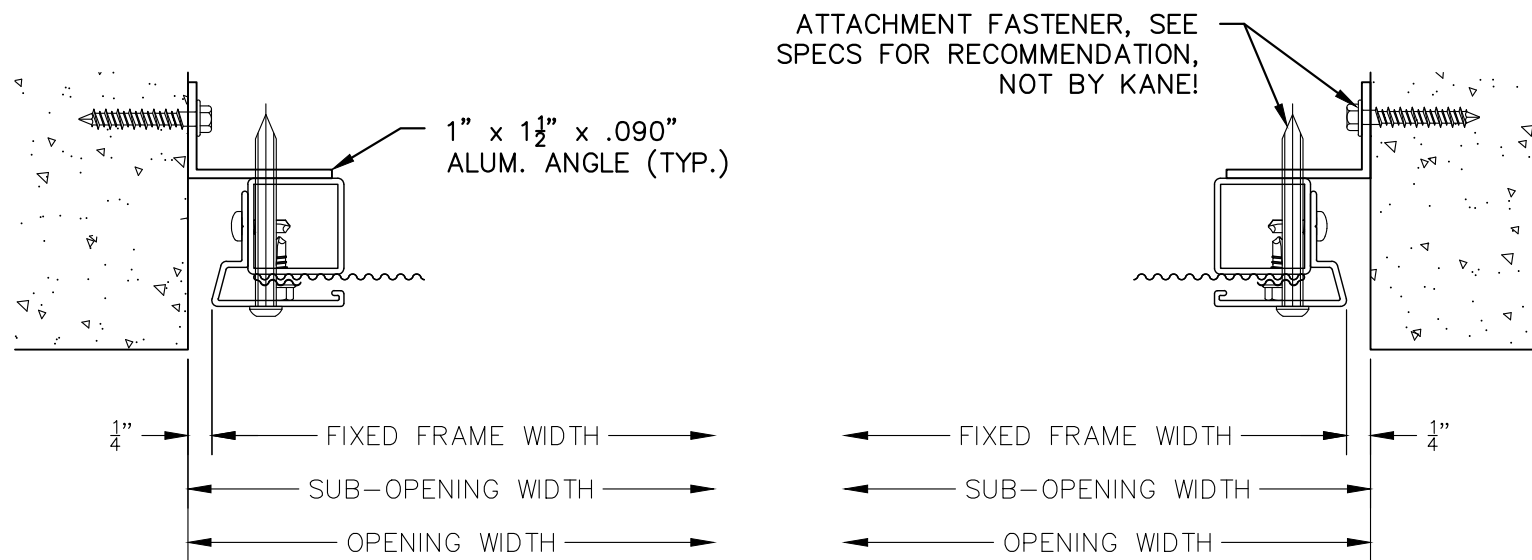
PROJECT
 PROJECT NO.

DRAWN DATE
 05/01/2014

SCALE
 3/4"=1'-0"

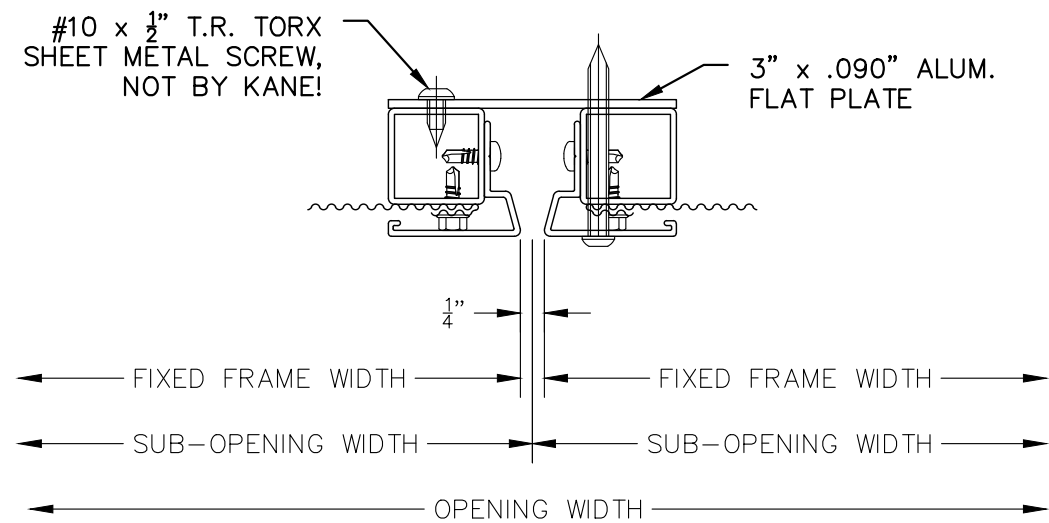
SHEET
 E1

INFORMATION SHOWN ON THIS DRAWING IS PROPRIETARY AND THE SOLE PROPERTY OF KANE MANUFACTURING CORPORATION AND IS NOT TO BE REPRODUCED, DISCLOSED, OR TRANSMITTED TO OTHERS FOR ANY PURPOSE NOT AUTHORIZED BY KANE MANUFACTURING CORPORATION.

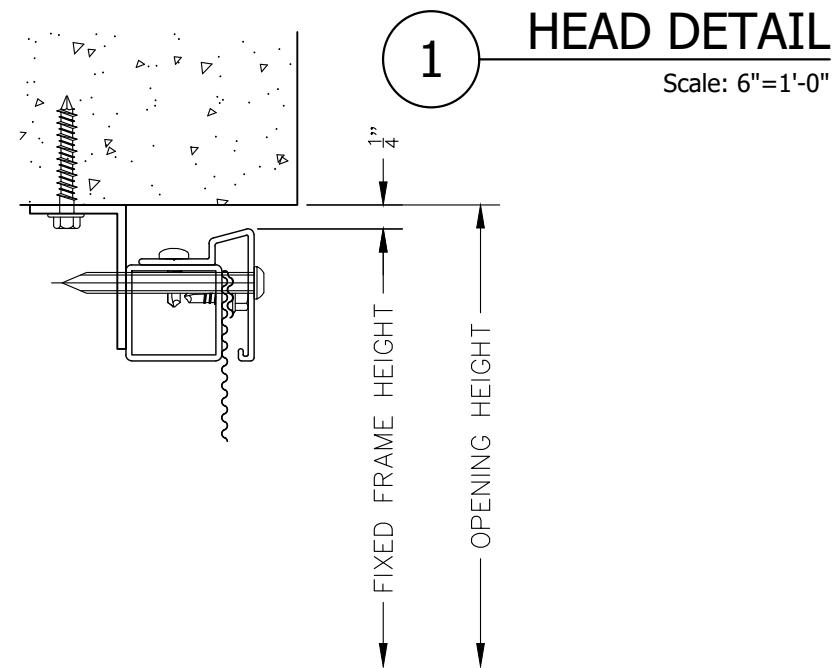


3 LEFT JAMB
Scale: 6"=1'-0"

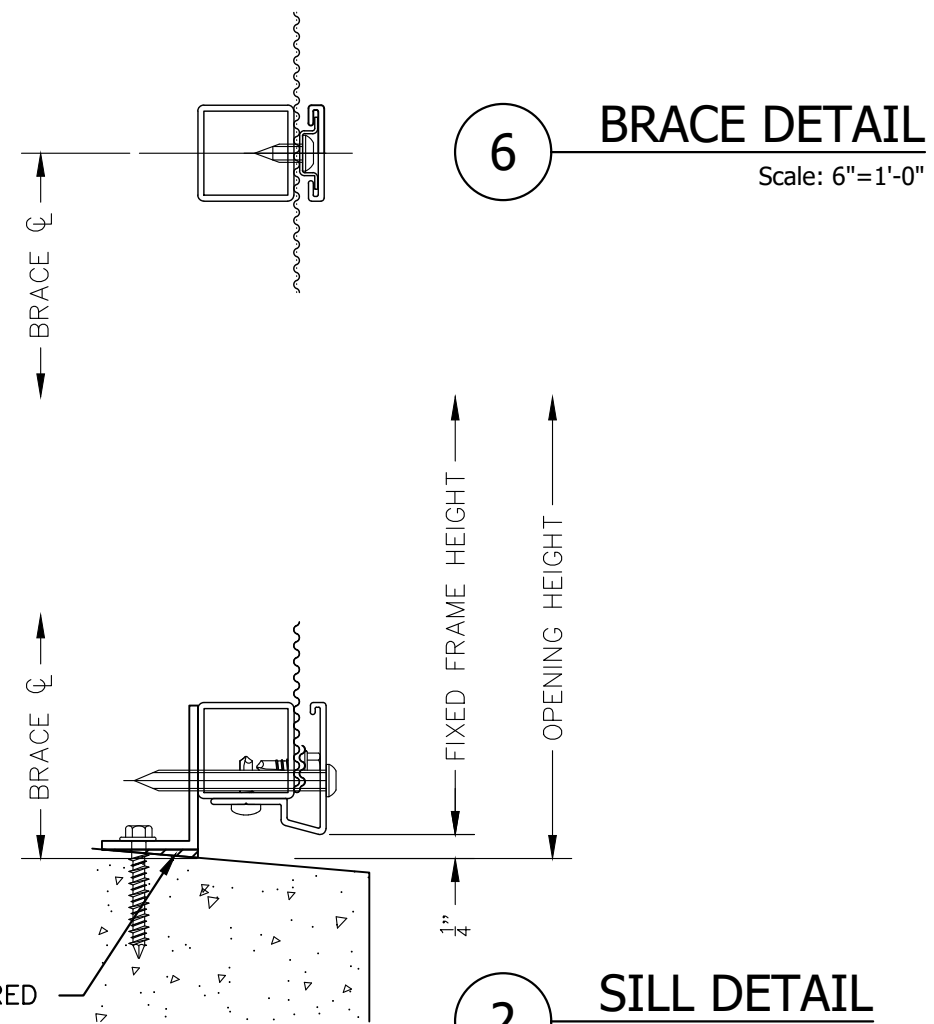
4 RIGHT JAMB
Scale: 6"=1'-0"



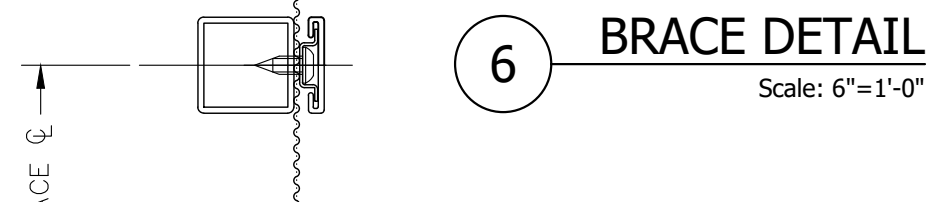
5 MULLION DETAIL
Scale: 6"=1'-0"



1 HEAD DETAIL
Scale: 6"=1'-0"



2 SILL DETAIL
Scale: 6"=1'-0"



6 BRACE DETAIL
Scale: 6"=1'-0"

REV	BY	DATE	DESCRIPTION

KANE ARCHITECTURAL INNOVATIONS
GUARDIANS OF SAFE ENVIRONMENTS
KANE SECURITY
KANE SECURITY
KANE SECURITY

INFORMATION SHOWN ON THIS DRAWING IS PROPRIETARY AND THE SOLE PROPERTY OF KANE MANUFACTURING CORPORATION AND IS NOT TO BE REPRODUCED, DISCLOSED, OR TRANSMITTED TO OTHERS FOR ANY PURPOSE NOT AUTHORIZED BY KANE MANUFACTURING CORPORATION.

PHILADELPHIA, PA 19106
PH: 800-773-2439
WWW.KANESYSTEMS.COM

© 2021

S-NR5-Z
STEEL NARROWLINE - FIXED
REVEAL MOUNT

PROJECT	PROJECT NO.
DRAWN	DATE
SCALE	6"=1'-0"
SHEET	D1