

REV	BY	DATE	DESCRIPTION

REVISION LOG

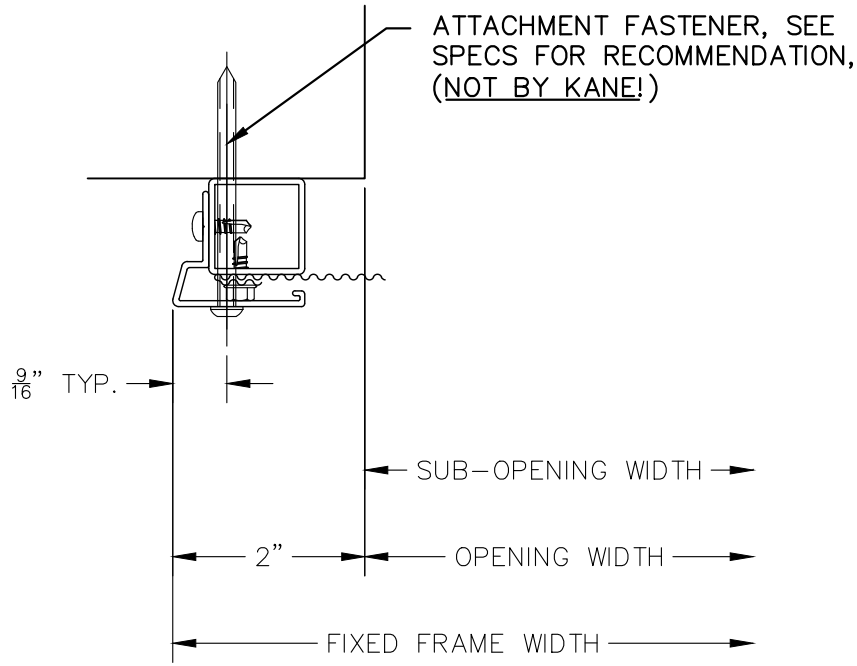
KANE ARCHITECTURAL INNOVATIONS
 GUARDIANS OF SAFE ENVIRONMENTS
 KANE SECURITY ARCHITECTURE BY KANE
 PRR: PENNSYLVANIA 16506
 PH#: 800-773-2439
 www.kaneinnovations.com

© 2021

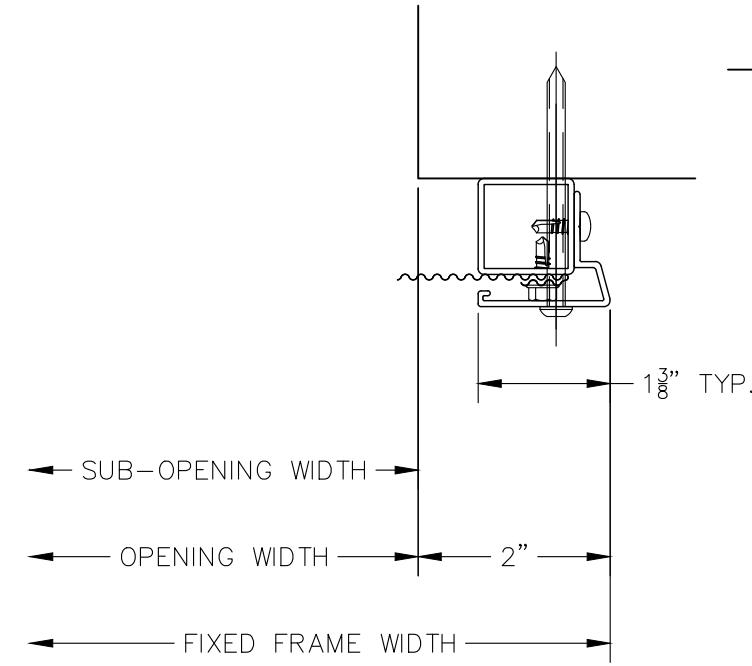
S-NR5-Z
STEEL NARROWLINE - FIXED
SURFACE MOUNT

PROJECT	PROJECT NO.
DRAWN	DATE
SCALE	3/4"=1'-0"
SHEET	E1

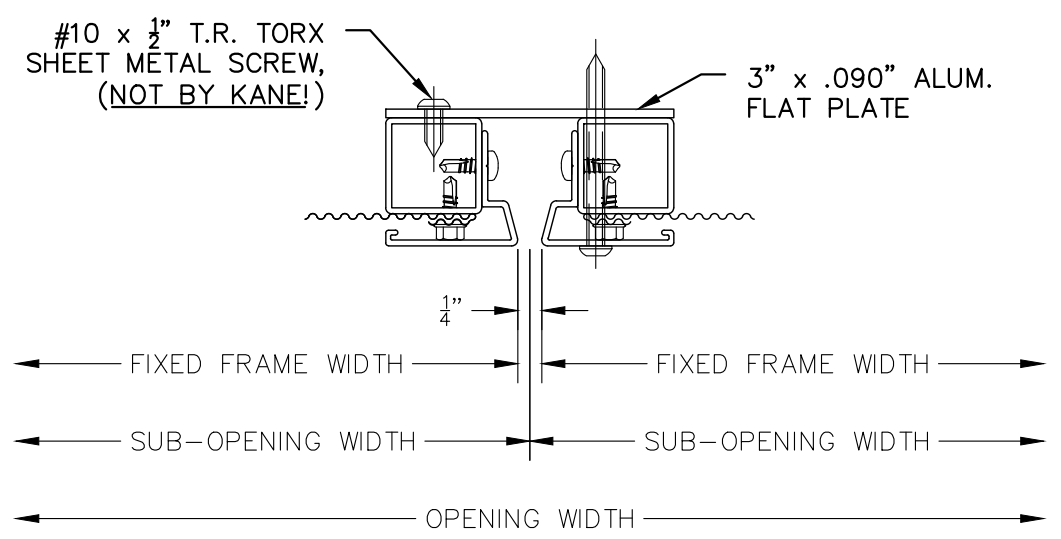
INFORMATION SHOWN ON THIS DRAWING IS PROPRIETARY AND THE SOLE PROPERTY OF KANE ARCHITECTURAL INNOVATIONS AND IS NOT TO BE REPRODUCED, DISCLOSED, OR TRANSMITTED TO OTHERS FOR ANY PURPOSE NOT AUTHORIZED BY KANE ARCHITECTURAL INNOVATIONS.



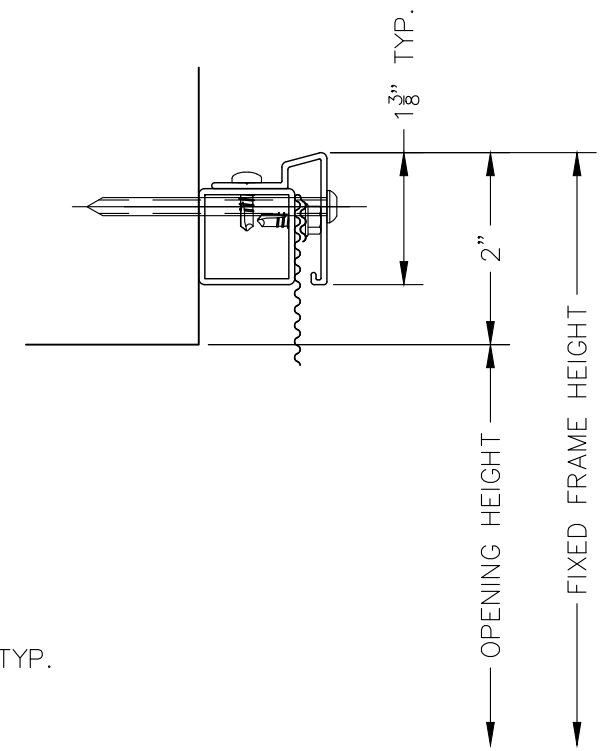
3 LEFT JAMB
HALF SCALE



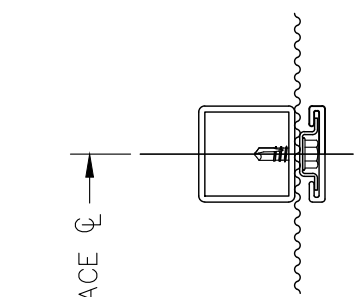
4 RIGHT JAMB
HALF SCALE



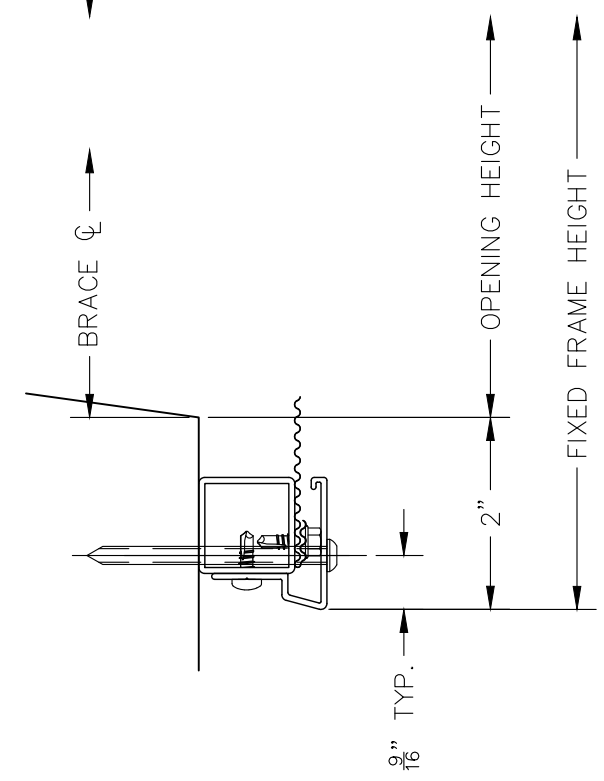
5 MULLION DETAIL
HALF SCALE



1 HEAD DETAIL
HALF SCALE



6 BRACE DETAIL
HALF SCALE



2 SILL DETAIL
HALF SCALE

REV.	BY	DATE	DESCRIPTION

KANE ARCHITECTURAL INNOVATIONS
GUARDIANS OF SAFE ENVIRONMENTS
KANE SECURITY ARCHITECTURE BY KANE

INFORMATION SHOWN ON THIS DRAWING IS PROPRIETARY AND THE SOLE PROPERTY OF KANE ARCHITECTURAL INNOVATIONS AND IS NOT TO BE REPRODUCED, DISCLOSED, OR TRANSMITTED TO OTHERS FOR ANY PURPOSE NOT AUTHORIZED BY KANE ARCHITECTURAL INNOVATIONS.

PHILADELPHIA, PA 19106
PH: 800-773-2439
WWW.KANEARCHITECTURALINNOVATIONS.COM

© 2021

S-NR5-Z
STEEL NARROWLINE - FIXED
SURFACE MOUNT

PROJECT	
PROJECT NO.	
DRAWN	DATE
	05/01/2014
SCALE	6"=1'-0"
SHEET	D1