






ABBREVIATIONS AND SYMBOLS

- O.W. -- OPENING WIDTH
- O.H. -- OPENING HEIGHT
- F.S. -- FRAME SIZE
- S.F.S. -- SUB-FRAME SIZE
- M.O. -- MASONRY OPENING
- N.B.K.-- NOT BY KANE INNOVATIONS
- R.D. -- REFERENCE DIMENSION
- R.O. -- OPENING
- [XX.XXX] -- EQUAL TO MM

-  -- WORKPOINT
-  -- ELEVATION MARK
-  -- SUB-OPENING NUMBER
-  --DETAIL NUMBER
-  --SHEET NUMBER
-  INDICATES ITEMS TO BE VERIFIED BY CUSTOMER.
-  -- REVISION CLOUD

FIXED ALUMINUM VANGUARD REVEAL MOUNT

CUSTOMER: _____

ARCHITECT: _____

KANE SECURITY SYSTEM(S) USED

1. A-VNG-47X-Z
 - 1.1. FIXED ALUM. VAN-GUARD SECURITY SCREENS
 - 1.2. INFILL: 10 MESH .047" ϕ STAINLESS STEEL WIRE CLOTH

QUANTITY	TRANSMITTING
(1)	PDF OF FIXED ALUMINUM VANGUARD - REVEAL MOUNT
-	-
-	-
-	-
-	-
-	-

EXCLUSIONS

THE FOLLOWING ITEMS ARE NOT SUPPLIED BY KANE INNOVATIONS UNLESS STATED OTHERWISE.

- A. INSTALLATION
- B. FIELD APPLIED CAULKING AND ROD STOPS.
- C. SEALANTS/MASTICS
- D. CONCRETE INSERTS OR IMBEDS
- E. ANCHORS OR ATTACHMENTS TO MAIN STRUCTURE
- F. BRACING OR REINFORCING UNLESS SPECIFICALLY NOTED IN QUOTATION OR SUBMISSION DRAWINGS.
- G. FLASHING
- H. WOOD
- I. SHIMS
- J. INSULATION
- K. FIRE PROOFING MATERIALS
- L. PROTECTIVE COATINGS (BACK PTG.)
- M. INSTALLATION FASTENERS

CONTRACT NOTES

1. THESE HAVE BEEN PREPARED IN ACCORDANCE WITH KANE INNOVATIONS QUOTATION AND/OR AN ACCEPTED PURCHASE ORDER.
2. REVISIONS, ADDITIONS, OR DEDUCTIONS REQUIRE WRITTEN AUTHORIZATION OR A REVISED PURCHASE ORDER ACCOMPANYING RETURNED PRINTS.
3. KANE INNOVATIONS WILL ASSUME NO RESPONSIBILITY BEYOND MANUFACTURING IN ACCORDANCE WITH THESE DRAWINGS OR FROM ERRORS RESULTING FROM THE USE OF THESE DRAWINGS BY OTHER TRADES.
4. APPROVAL BY THE ARCHITECT AND CUSTOMER SHALL CONSTITUTE ACCEPTANCE OF ALL DEVIATIONS MADE BY KANE INNOVATIONS TO THE PLANS AND SPECIFICATIONS.
5. REQUESTS FOR REVISIONS AFTER KANE INNOVATIONS HAS BEEN AUTHORIZED TO PROCEED WITH FABRICATION WILL BE SUBJECT TO ADDITIONAL CHARGES/REVISED SHIP DATE.
6. IT IS THE RESPONSIBILITY OF THE CUSTOMER TO VERIFY DIMENSIONS. (SEE VERIFICATION BLOCK) FABRICATION WILL NOT BEGIN UNTIL KANE INNOVATIONS HAS RECEIVED A SIGNED COPY OF THESE THESE DRAWINGS.
7. DELIVERY F.O.B. KANE, PA TO JOBSITE. UPON DELIVERY OF THE KANE MATERIAL TO THE JOBSITE, IT IS THE RESPONSIBILITY OF THE CUSTOMER TO INSURE THAT ALL SHIPPING DAMAGES ARE NOTED ON BILL OF LADING.

PLEASE INITIAL EACH LINE BELOW FOR VERIFICATION THAT YOU COMPLY WITH THE STATEMENTS. FOR ITEMS THAT NEED AN ANSWER, PLEASE STATE IN NOTES SECTION ON C2.

INITIAL	REMARKS
_____	PLEASE EXAMINE THE DRAWINGS CAREFULLY AND APPROVE.
_____	VERIFY SURROUNDING CONDITIONS SHOWN ON DRAWING.
_____	FIELD VERIFY THE DIMENSIONS SHOWN ON THE ELEVATIONS, VERIFY QUANTITIES SHOWN, AND VERIFY BRACE CENTERLINE DIMENSIONS.
_____	SELECT FRAME COLOR FROM ONE OF KANE'S STANDARD COLORS: WHITE, BEIGE, GRAY, DARK BRONZE, AND BLACK. VERIFY INFILL COLOR TO BE KANE'S STANDARD BLACK.
_____	VERIFY SCREENS TO BE MOUNTED ON THE EXTERIOR.
_____	NOTE: PER QUOTATION ??-???-??. INSTALLATION FASTENERS ARE NOT SUPPLIED BY KANE. RECOMMENDED FASTENERS ARE INDICATED ON SPECIFICATION SHEET.
_____	FABRICATION WILL NOT BEGIN UNTIL DRAWINGS ARE APPROVED, SIZES ARE FIELD VERIFIED, ALL TRANSMITTAL INFORMATION IS ADVISED OR VERIFIED, AND CREDIT IS APPROVED.


NOTE: STANDARD DELIVERY IS APPROXIMATELY 6-8 WEEKS AFTER FINAL APPROVAL OF DRAWINGS AND FIELD DIMENSIONS ARE RECEIVED

SINCERELY,
KANE INNOVATIONS

XXXXXXXXXXXXXXXXXXXX
xxxxxxxxx@kaneinnovations.com

NOTE:
PLEASE FIELD VERIFY ALL DIMENSIONS SHOWN WITHIN THIS SUBMISSION PACKET.

REV	BY	DATE	DESCRIPTION



KANE INNOVATIONS
GUARDIANS OF SAFE ENVIRONMENTS
PH: PENNSYLVANIA 16506
PH: 800-773-2439
WWW.KANEINNOVATIONS.COM

NOTE: DO NOT SCALE THESE DRAWINGS

APPROVAL BLOCK

CUSTOMER VERIFICATION BLOCK

I VERIFY THAT ALL DIMENSIONS INDICATED ON THESE ELEVATIONS ARE CORRECT AS SHOWN OR AS CORRECTED, AND HEREBY AUTHORIZE FABRICATION OF THE MATERIALS INDICATED HEREON.

SIGNATURE

DATE

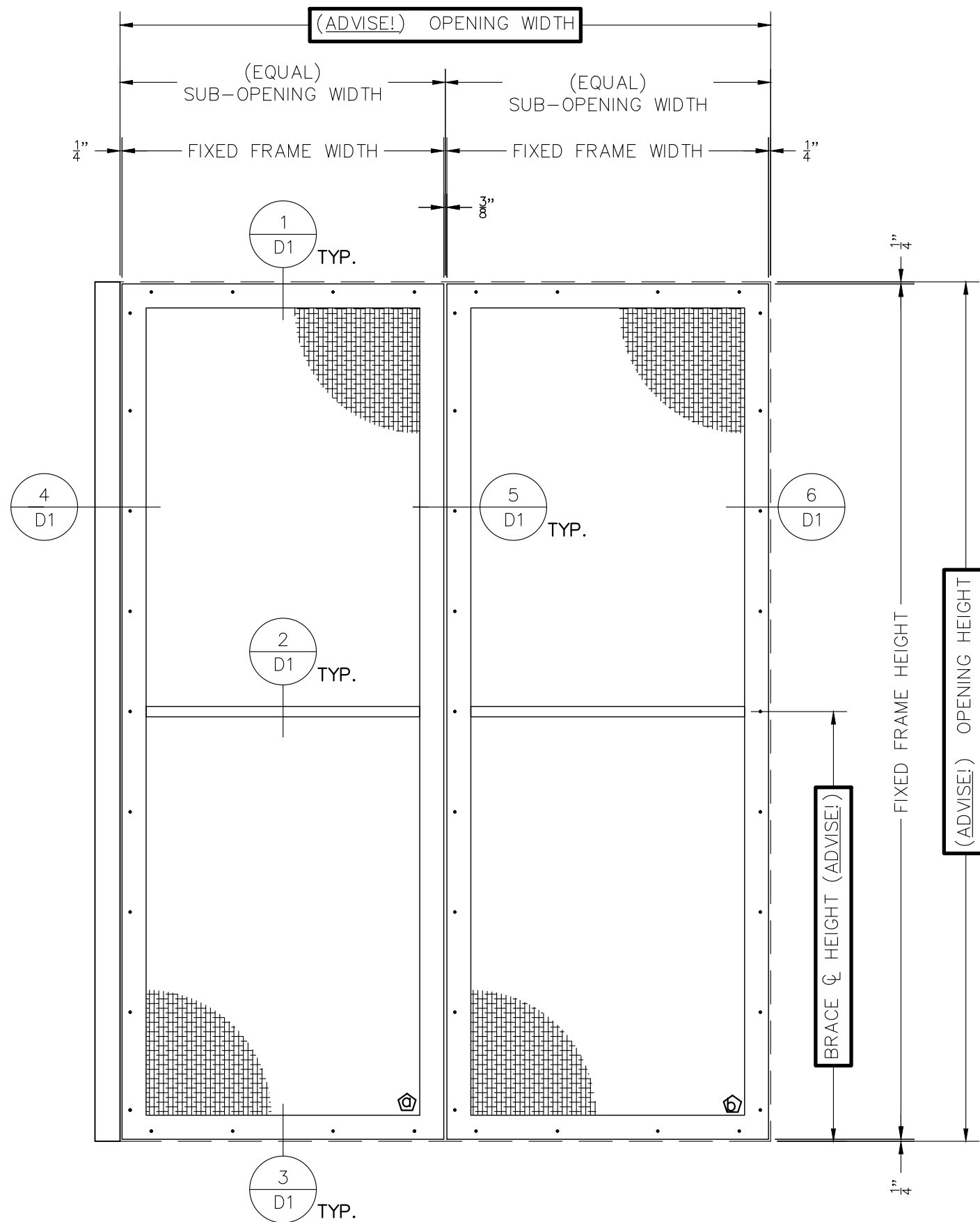
COMPANY NAME

© 2021

FIXED ALUMINUM VANGUARD REVEAL MOUNT

10 MESH .047" DIA S/STL WIRE CLOTH

PROJECT	
PROJECT NO.	
DRAWN	DATE
ISS	10/10/2019
SCALE	
NONE	
SHEET	
C1	



ELEVATION 1

MARK: A (EXTERIOR REVEAL MOUNT)

(1) OPENING THUS

(3) A-VNG-47X-Z REQUIRED

FIXED ALUMINUM VAN-GUARD SECURITY SCREENS

INFILL: 10 MESH .047" DIA. STAINLESS STEEL WIRE CLOTH

LOCK TYPE: N/A (FIXED SCREENS)

PRIMARY FINISH: ONE OF KANE'S STANDARD COLORS - ADVISE!

INFILL FINISH: KANE'S STANDARD BLACK

REV	BY	DATE	DESCRIPTION

KANE INNOVATIONS
 GUARDIANS OF SAFE ENVIRONMENTS
 KANE SECURITY
 SERVING BY NAME

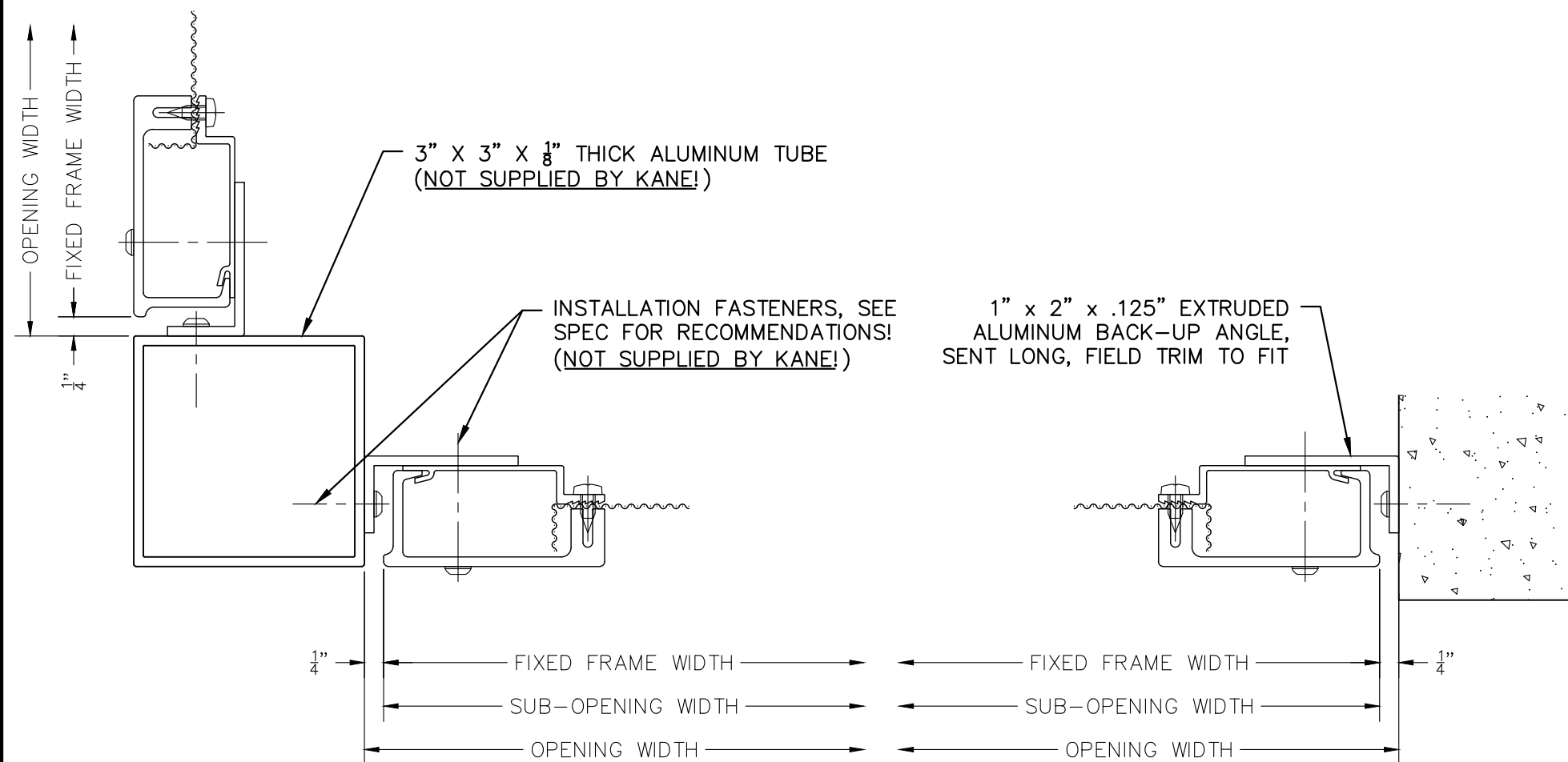
© 2021

INFORMATION SHOWN ON THIS DRAWING IS PROPRIETARY AND THE SOLE PROPERTY OF KANE INNOVATIONS CORPORATION, AND IS NOT TO BE REPRODUCED, DISCLOSED, OR TRANSMITTED TO OTHERS FOR ANY PURPOSE NOT AUTHORIZED BY KANE INNOVATIONS CORPORATION.

FIXED ALUMINUM VANGUARD REVEAL MOUNT

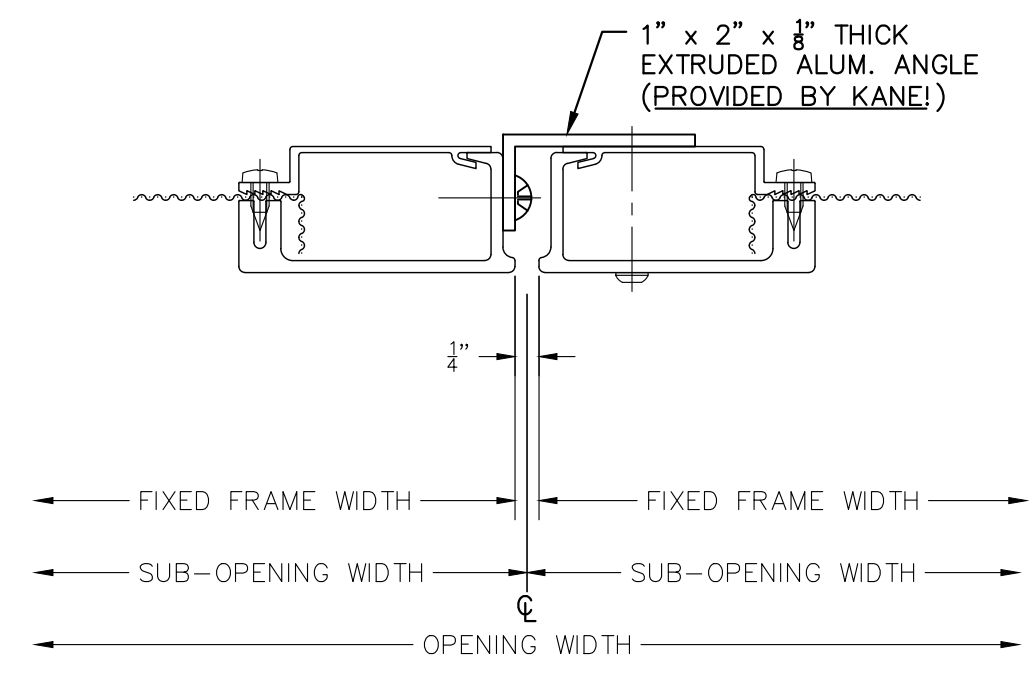
10 MESH .047" DIA S/STL WIRE CLOTH

PROJECT NO.	
DRAWN	DATE
ISS	10/10/2019
SCALE	3/4" = 1' - 0"
SHEET	E1

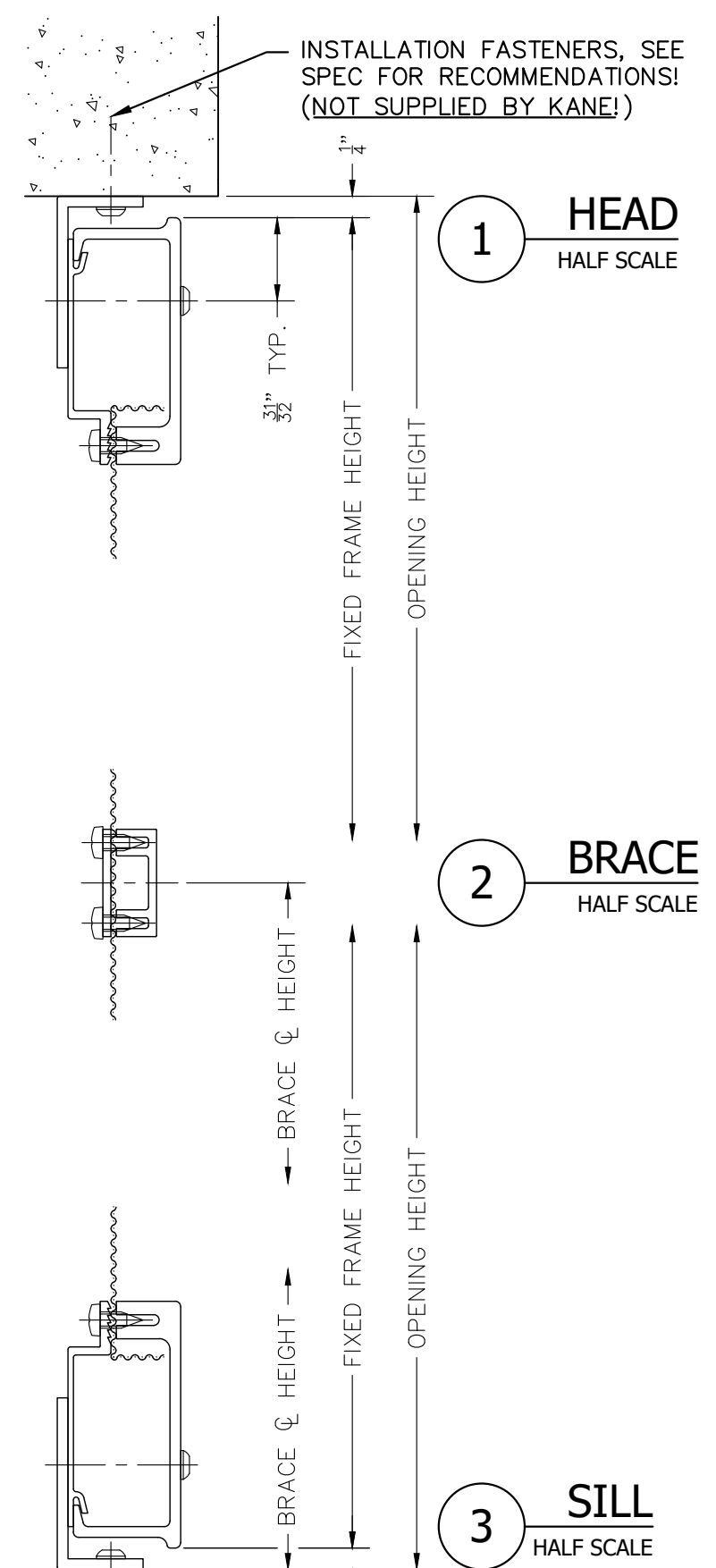


4 LEFT JAMB
HALF SCALE

6 RIGHT JAMB
HALF SCALE



5 MULLION
HALF SCALE



1 HEAD
HALF SCALE

2 BRACE
HALF SCALE

3 SILL
HALF SCALE

REV.	BY	DATE	DESCRIPTION

KANE INNOVATIONS
GUARDIANS OF SAFE ENVIRONMENTS
KANE SECURITY
SERVING BY KANE

© 2021

FIXED ALUMINUM VANGUARD REVEAL MOUNT

10 MESH .047" DIA S/STL WIRE CLOTH

PROJECT NO.	
DRAWN	DATE
ISS	10/10/2019
SCALE	HALF SCALE
SHEET	D1

INFORMATION SHOWN ON THIS DRAWING IS PROPRIETARY AND THE SOLE PROPERTY OF KANE INNOVATIONS CORPORATION, AND IS NOT TO BE REPRODUCED, DISCLOSED, OR TRANSMITTED TO OTHERS FOR ANY PURPOSE NOT AUTHORIZED BY KANE INNOVATIONS CORPORATION.

LEVEL 6

Fixed

Aluminum Van-Guard® Security Screen

Model: A-VNG-Z

PART 1 GENERAL

1.01 Description

The security screens shown on the plans and herein specified are the products of Kane Innovations, Erie, Pennsylvania. This manufacturer's name and products have been used to establish the standards of construction and quality of workmanship required for this project. Manufacturers bidding on this project must be actively engaged in the fabrication of specified items for a minimum of five (5) years prior to the bid date. Manufacturers requesting approval to bid their products as equal must submit to the Architect full-size drawings, including details of construction, and a complete operating security screen sample, ten (10) days prior to the bid date.

1.02 Submittals

- Manufacturer shall submit shop drawings, showing details of attachment to surround materials and elevations showing scope of the project.
- Samples of materials may be requested without cost to owner: frame sections, infill sections, fasteners, mullion section, corner section, etc.

1.03 Warranty

The operation of the security screen supplied by Kane Innovations on the designated project is warranted for one (1) year against any proven defective material or parts, as called for in the specifications and approved shop drawings. This warranty does not cover abuse by others.

PART 2 PRODUCTS

2.01 Acceptable Manufacturers

Kane Innovations, Erie, PA
 ☎ (800) 773-2439

2.02 Main Frame

- The main frame shall be of channel design measuring 1.25"[31.75mm] x 2.875"[73.025mm] x 0.75"[19.05mm], extruded from 6063-T6-aluminum alloy. Weight shall be not less than .927 lbs./ft., with a nominal thickness of .125-inch. The corners of the main frame shall be mitered and internally robotically welded.
- A removable interlocking concealment cover (Z-shaped) measuring 2.094"[53.181] x 0.50"[12.70] x 0.625"[15.875], extruded from 6063-T6 aluminum alloy, .062-inch thick, .290 lbs./ft., shall be attached to the main frame using TORX® tamper-resistant screws. Braces shall be furnished when required.

2.03 Finish

- The aluminum shall be thoroughly cleaned in a 5-step bonderizing process. An electrostatically applied thermoplastic, polyester powder coating (2.5 mil min. thickness) which shall be applied and baked to a hard mar-resistant finish in one of Kane's standard colors.
 - White
 - Gray
 - Black
 - Beige
 - Dark Bronze
 - Custom colors are available at additional cost with submission of color sample.
- Anodized finish options:
 - Clear anodize (215-R1)

2.04 Wire Cloth

- Wire cloth shall be woven 12-mesh to the inch from .028-inch diameter Type 304 stainless steel wire and double crimped.
- Wire cloth shall be woven 10-mesh to the inch from .047-inch diameter Type 304 stainless steel wire and double crimped.

Perforated Panel

- 18-gauge stainless steel with 63% open area
- 16-gauge mill-galvanized steel with 63% open area
- 14-gauge mill-galvanized steel with 51% open area
- 12-gauge mill-galvanized steel with 51% open area

2.05 Infill Attachment

- The wire cloth shall be folded 90 degrees and held securely in place by means of a removable interlocking concealment plate and TORX® tamper-resistant screws.
- The perforated panel shall lie flat on the main frame and be held in place by means of a removable interlocking concealment plate and TORX® tamper-resistant screws.
- TORX® tamper-resistant screws shall penetrate the removable interlocking concealment plate, wire cloth and main frame approximately 4" [101.6] on center.

2.06 Hardware

- Each screen shall include .125-inch thick aluminum back-up angles. The 1" [25.40] x 2" [50.80] angles shall be supplied at the head and jams if required.
- Each screen shall come fully assembled and tested at the factory for operation.

PART 3 EXECUTION

3.01 Inspection

Verify that openings fit allowable tolerances, are plumb, level, provide a solid anchoring surface and comply with approved shop drawings.

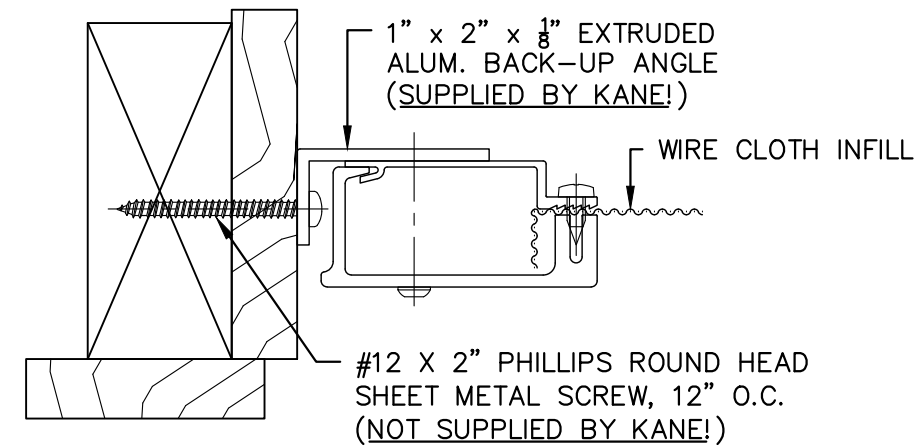
3.02 Installation

- Install in accordance with approved shop drawings and specifications.
- Plumb and align faces in a single plane and erect screens square and true, adequately anchored to structure.
- After completion of installation, screens shall be adjusted and cleaned.

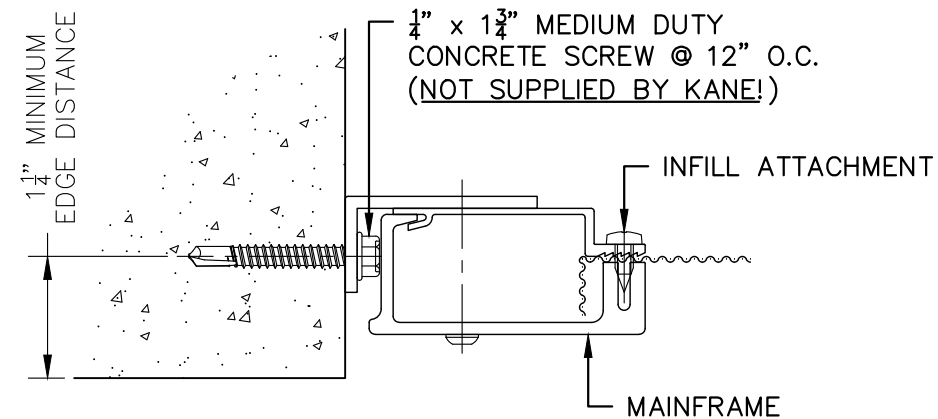
PART 4 ENVIRONMENTAL REPORTING

4.01 LEED Materials and Resources

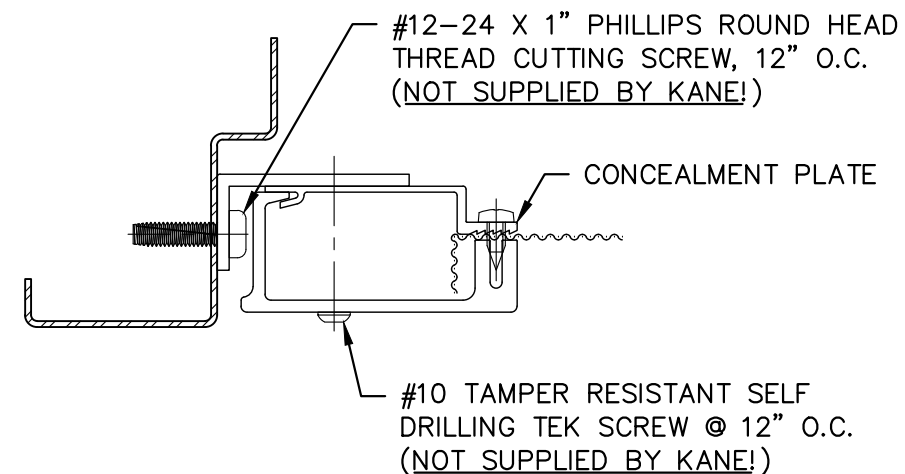
- Recycled Content: This product contributes toward satisfying Credit 4 under LEED.
- Regional Material: This product can contribute toward satisfying Credit 5 under LEED.



1 MOUNTING TO WOOD SURROUND
 HALF SCALE



2 MOUNTING TO MASONRY SURROUND
 HALF SCALE



3 MOUNTING TO METAL SURROUND
 HALF SCALE

PROJECT	DESCRIPTION
PROJECT NO.	REVISION LOG
DRAWN	DATE
ISS	10/10/2019
SCALE	HALF SCALE
SHEET	S1

KANE INNOVATIONS
 GUARDIANS OF SAFE ENVIRONMENTS
 KANE SECURITY
 ERIE, PENNSYLVANIA 16506
 PH: 800-773-2439
 WWW.KANEINNOVATIONS.COM

© 2021

FIXED ALUMINUM VANGUARD REVEAL MOUNT
10 MESH .047" DIA S/STL WIRE CLOTH