

REV	BY	DATE	DESCRIPTION

REVISION LOG

**KANE ARCHITECTURAL INNOVATIONS**  
 GUARDIANS OF SAFE ENVIRONMENTS  
 KANE SECURITY  
 ARCHITECT BY KANE

PHILADELPHIA, PA 19106  
 PH: 800-773-2439  
 WWW.KANEARCHITECTURE.COM

© 2021

**X-VAN-O**  
**STAINLESS VAN GUARD - OPERABLE**  
**SURFACE MOUNT**

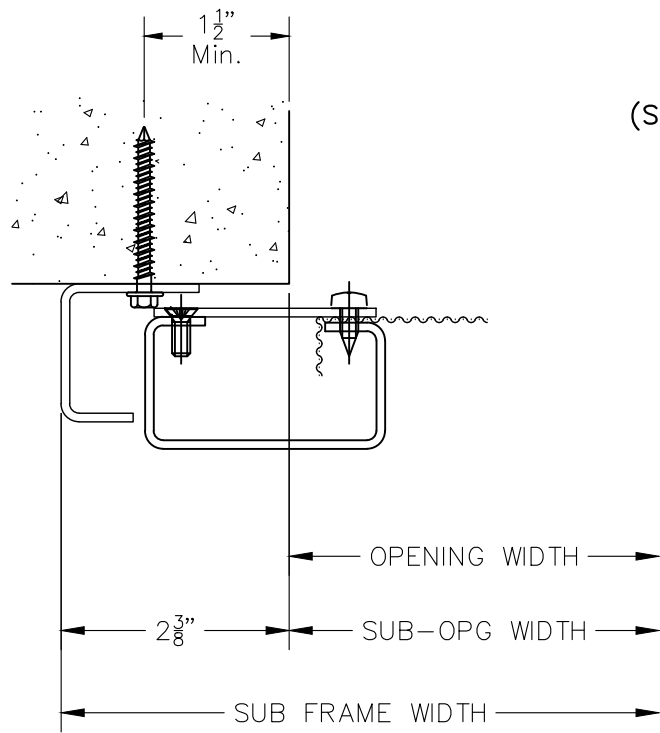
PROJECT NO.

DRAWN DATE  
 05/01/2014

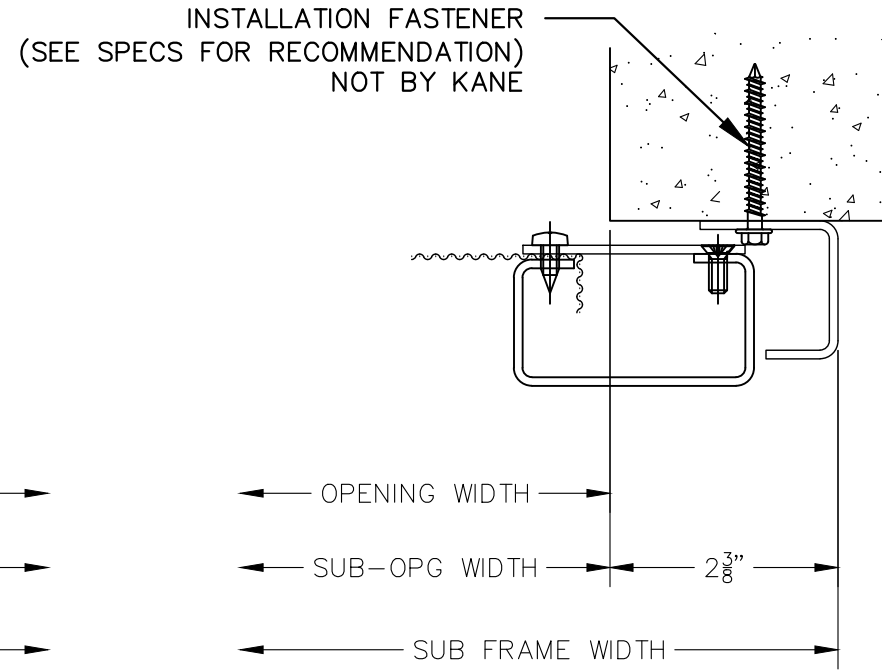
SCALE  
 3/4"=1'-0"

SHEET  
 E1

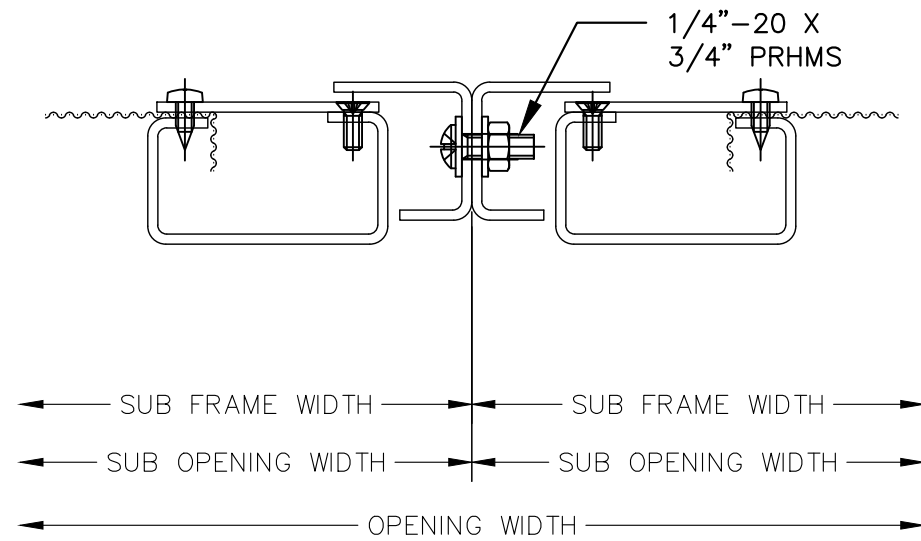
INFORMATION SHOWN ON THIS DRAWING IS PROPRIETARY AND THE SOLE PROPERTY OF KANE MANUFACTURING CORPORATION AND IS NOT TO BE REPRODUCED, DISCLOSED, OR TRANSMITTED TO OTHERS FOR ANY PURPOSE NOT AUTHORIZED BY KANE MANUFACTURING CORPORATION.



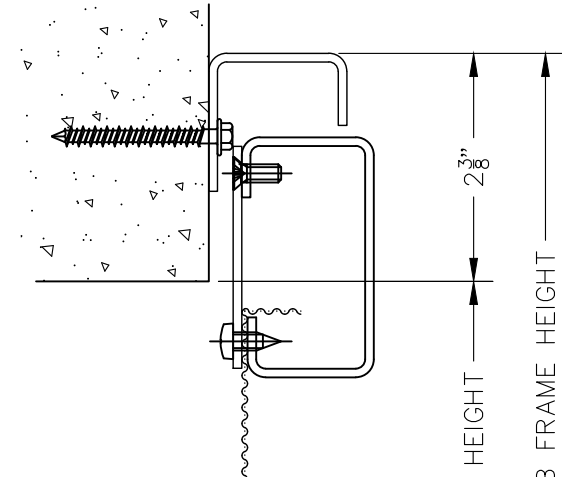
**4 LEFT JAMB**  
SCALE: 6"=1'-0"



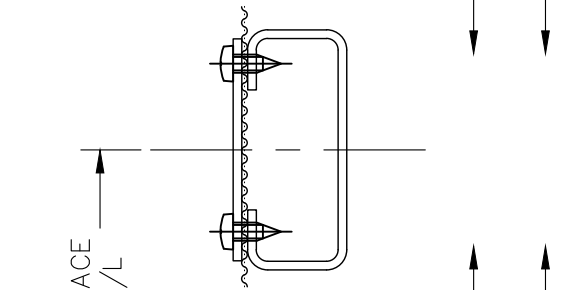
**5 RIGHT JAMB**  
SCALE: 6"=1'-0"



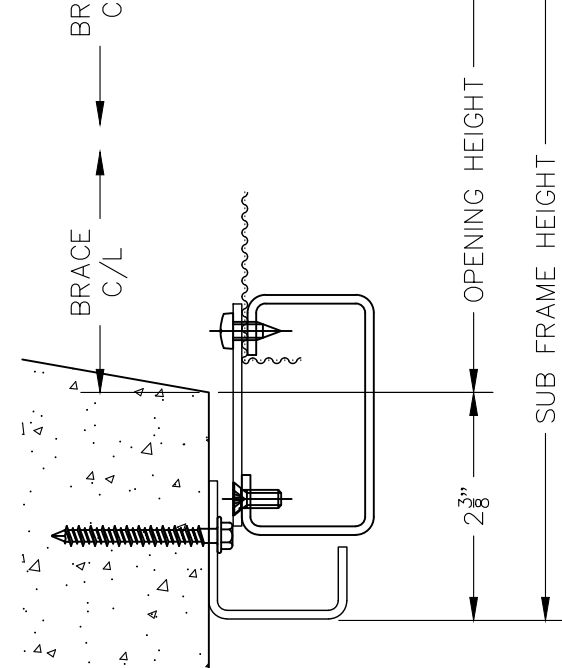
**6 MULLION DETAIL**  
SCALE: 6"=1'-0"



**1 HEAD DETAIL**  
SCALE: 6"=1'-0"



**2 BRACE DETAIL**  
SCALE: 6"=1'-0"



**3 SILL DETAIL**  
SCALE: 6"=1'-0"

REV	BY	DATE	DESCRIPTION

**KANE ARCHITECTURAL INNOVATIONS**  
GUARDIANS OF SAFE ENVIRONMENTS  
KANE SECURITY ARCHITECTURE BY KANE

PHILADELPHIA, PA 19106  
PH: 800-773-2439  
WWW.KANEARCHITECTURAL.COM

© 2021

**X-VAN-O**  
**STAINLESS VAN GUARD - OPERABLE**  
**SURFACE MOUNT**

PROJECT	
PROJECT NO.	
DRAWN	DATE
	05/01/2014
SCALE	6"=1'-0"
SHEET	D1

INFORMATION SHOWN ON THIS DRAWING IS PROPRIETARY AND THE SOLE PROPERTY OF KANE MANUFACTURING CORPORATION AND IS NOT TO BE REPRODUCED, DISCLOSED, OR TRANSMITTED TO OTHERS FOR ANY PURPOSE NOT AUTHORIZED BY KANE MANUFACTURING CORPORATION.