

REVISION LOG	REV	BY	DATE	DESCRIPTION

**KANE INNOVATIONS**  
 GUARDIANS OF SAFE ENVIRONMENTS  
 KANE SECURITY  
 SERVING BY KANE

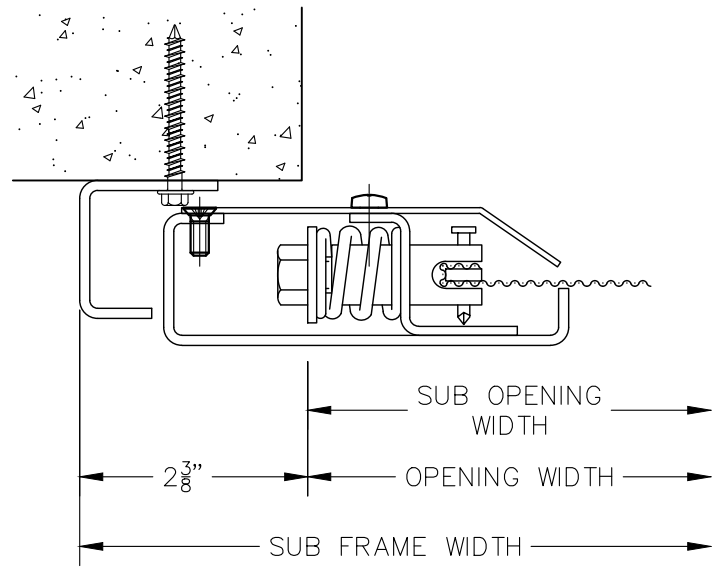
© 2021

**S-DENO**  
**STEEL DEFENDER - OPERABLE**  
**SURFACE MOUNT**

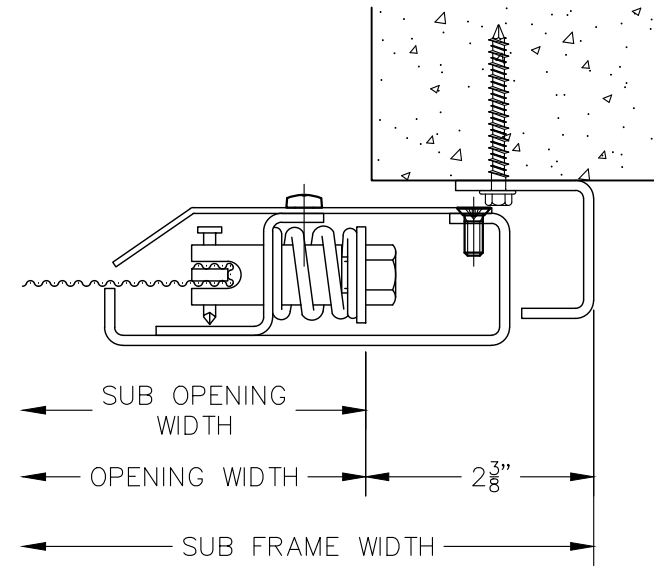
PROJECT: \_\_\_\_\_  
 PROJECT NO.: \_\_\_\_\_  
 DRAWN: \_\_\_\_\_ DATE: 09/15/2014  
 SCALE: 3/4" = 1' - 0"  
 SHEET: E1

INFORMATION SHOWN ON THIS DRAWING IS PROPRIETARY AND THE SOLE PROPERTY OF KANE INNOVATIONS CORPORATION, AND IS NOT TO BE REPRODUCED, DISCLOSED, OR TRANSMITTED TO OTHERS FOR ANY PURPOSE NOT AUTHORIZED BY KANE INNOVATIONS CORPORATION.

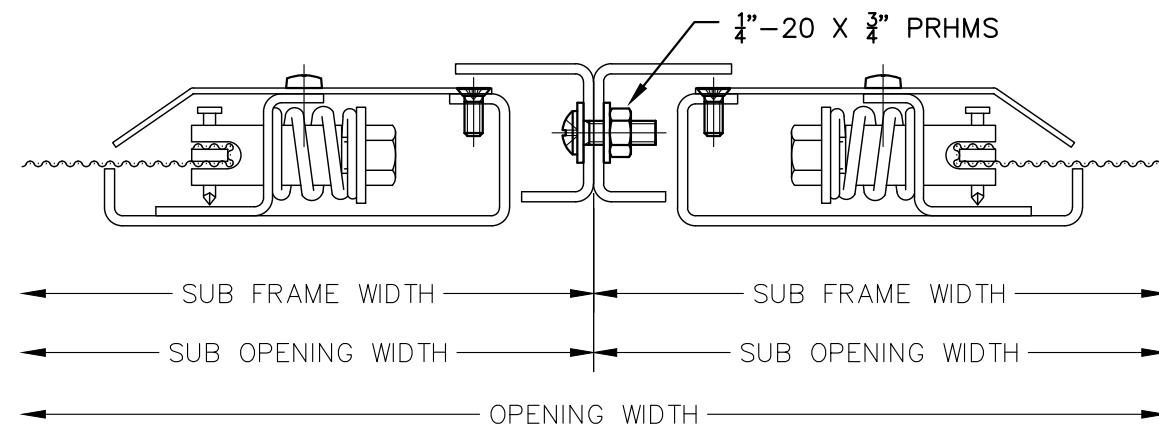
PH#: 800-773-2439  
 www.kaneinnovations.com



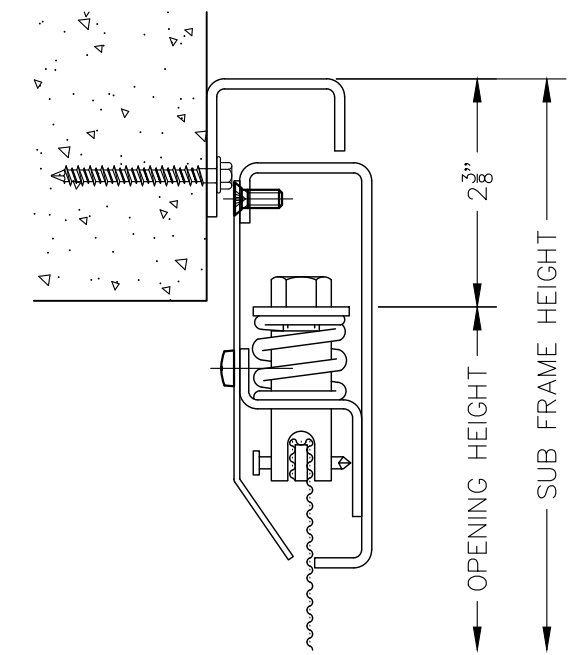
**3** LEFT JAMB  
Scale: 6"=1'-0"



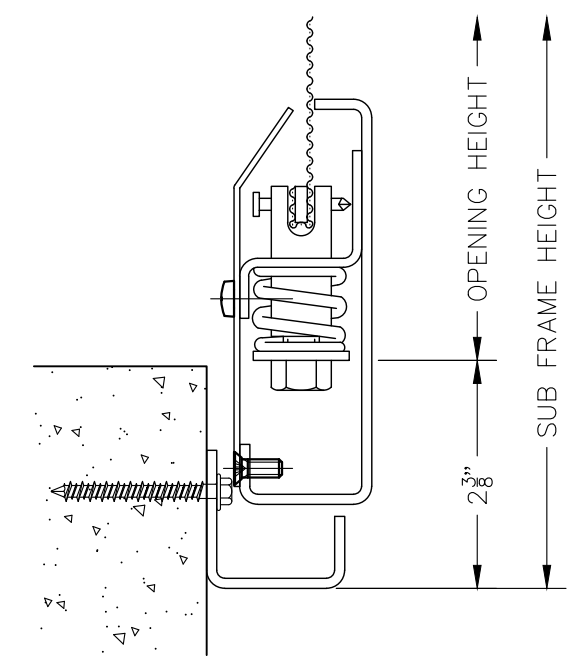
**4** RIGHT JAMB  
Scale: 6"=1'-0"



**5** MULLION DETAIL  
Scale: 6"=1'-0"



**1** HEAD DETAIL  
Scale: 6"=1'-0"



**2** SILL DETAIL  
Scale: 6"=1'-0"

REV	BY	DATE	DESCRIPTION

**KANE INNOVATIONS**  
GUARDIANS OF SAFE ENVIRONMENTS  
KANE SECURITY  
SERVING BY HAND

© 2021

**S-DENO**  
STEEL DEFENDER - OPERABLE  
SURFACE MOUNT

PROJECT: \_\_\_\_\_  
PROJECT NO.: \_\_\_\_\_

DRAWN: \_\_\_\_\_ DATE: 09/15/2014  
SCALE: 6" = 1' - 0"  
SHEET: D1

INFORMATION SHOWN ON THIS DRAWING IS PROPRIETARY AND THE SOLE PROPERTY OF KANE INNOVATIONS CORPORATION, AND IS NOT TO BE REPRODUCED, DISCLOSED, OR TRANSMITTED TO OTHERS FOR ANY PURPOSE NOT AUTHORIZED BY KANE INNOVATIONS CORPORATION.