

REV	BY	DATE	DESCRIPTION

**KANE INNOVATIONS**  
 GUARDIANS OF SAFE ENVIRONMENTS  
 KANE SECURITY  
 SERVING BY NAME

© 2021

INFORMATION SHOWN ON THIS DRAWING IS PROPRIETARY AND THE SOLE PROPERTY OF KANE INNOVATIONS CORPORATION, AND IS NOT TO BE REPRODUCED, DISCLOSED, OR TRANSMITTED TO OTHERS FOR ANY PURPOSE NOT AUTHORIZED BY KANE INNOVATIONS CORPORATION.

PHILADELPHIA, PA 19106  
 PH: 800-773-2439  
 WWW.KANEINNOVATIONS.COM

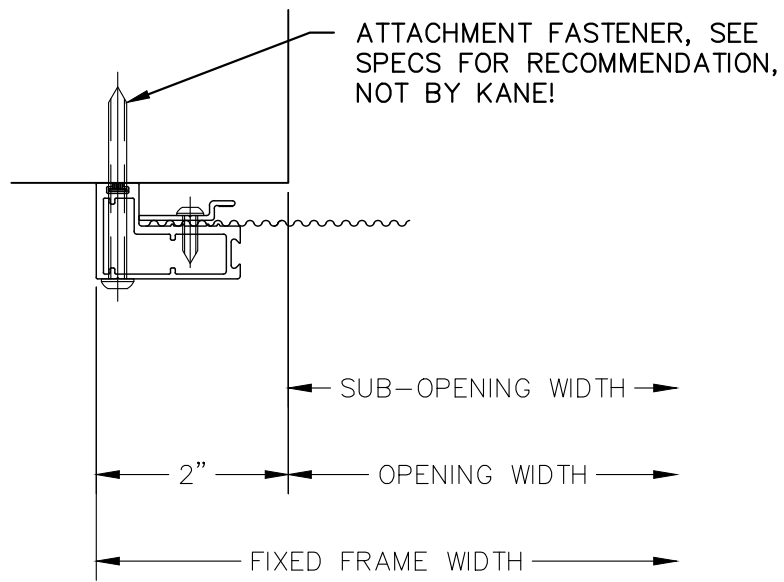
**A-PRO-Z**  
 ALUMINUM PROTECTOR - FIXED  
 SURFACE MOUNT

PROJECT: \_\_\_\_\_  
 PROJECT NO.: \_\_\_\_\_

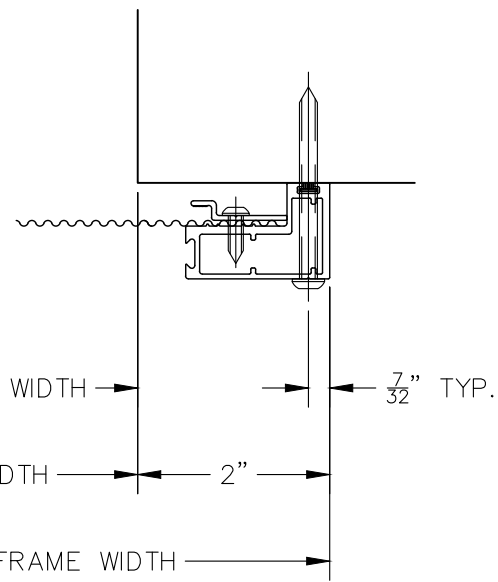
DRAWN: \_\_\_\_\_ DATE: 09/15/2014

SCALE: 3/4" = 1' - 0"

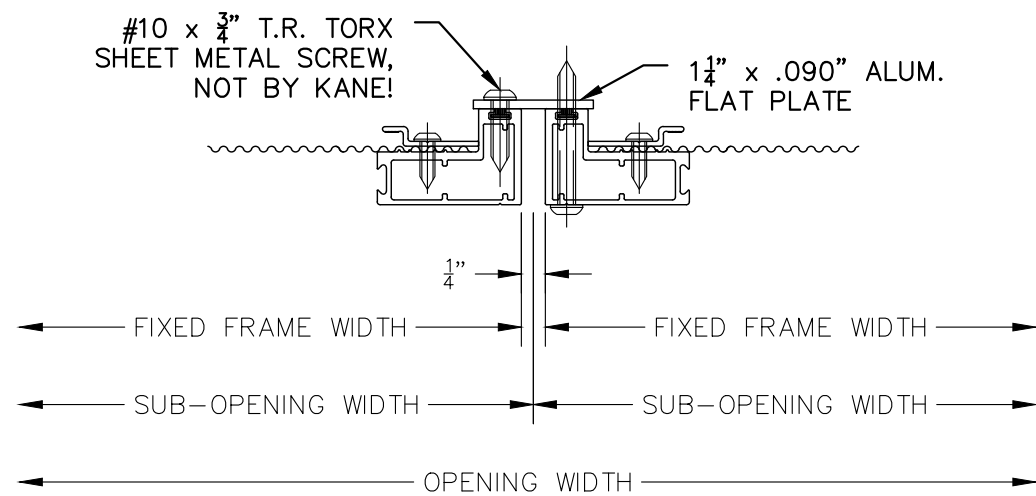
SHEET: E1



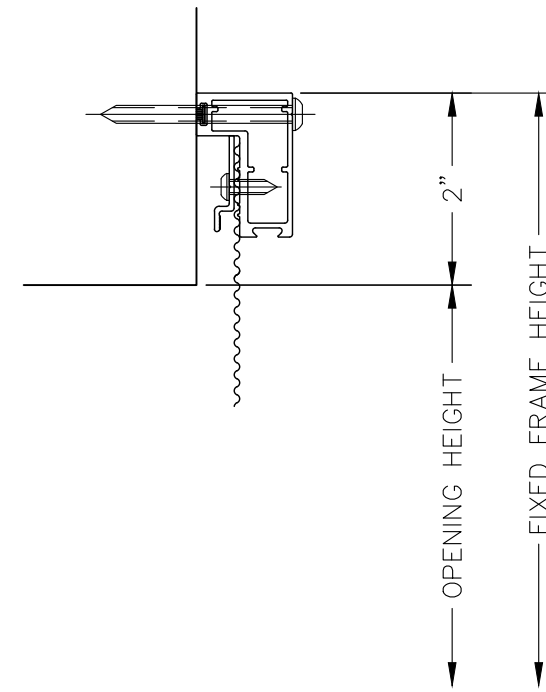
**3 LEFT JAMB**  
Scale: 6"=1'-0"



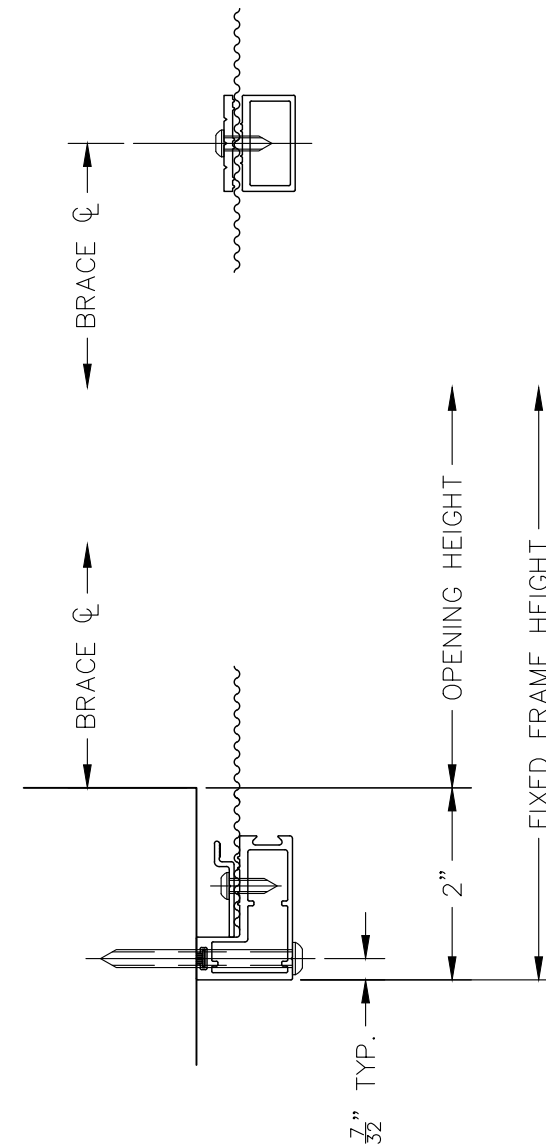
**4 RIGHT JAMB**  
Scale: 6"=1'-0"



**5 MULLION DETAIL**  
Scale: 6"=1'-0"



**1 HEAD DETAIL**  
Scale: 6"=1'-0"



**6 BRACE DETAIL**  
Scale: 6"=1'-0"

**2 SILL DETAIL**  
Scale: 6"=1'-0"

REV	BY	DATE	DESCRIPTION

**KANE INNOVATIONS**  
GUARDIANS OF SAFE ENVIRONMENTS  
KANE SECURITY  
FORMING BY KANE

INFORMATION SHOWN ON THIS DRAWING IS PROPRIETARY AND THE SOLE PROPERTY OF KANE INNOVATIONS CORPORATION, AND IS NOT TO BE REPRODUCED, DISCLOSED, OR TRANSMITTED TO OTHERS FOR ANY PURPOSE NOT AUTHORIZED BY KANE INNOVATIONS CORPORATION.

PHILADELPHIA, PA 19106  
PH: 800-773-2439  
WWW.KANEINNOVATIONS.COM

© 2021

**A-PRO-Z**  
ALUMINUM PROTECTOR - FIXED  
SURFACE MOUNT

PROJECT	
PROJECT NO.	
DRAWN	DATE
	09/15/2014
SCALE	6" = 1' - 0"
SHEET	D1