

REV	BY	DATE	DESCRIPTION

REVISION LOG

KANE INNOVATIONS
 GUARDIANS OF SAFE ENVIRONMENTS
 KANE SECURITY
 SERVING BY NAME

© 2021

A-VNG-O
ALUMINUM VAN GUARD - OPERABLE
SURFACE MOUNT

PROJECT: _____
 PROJECT NO.: _____

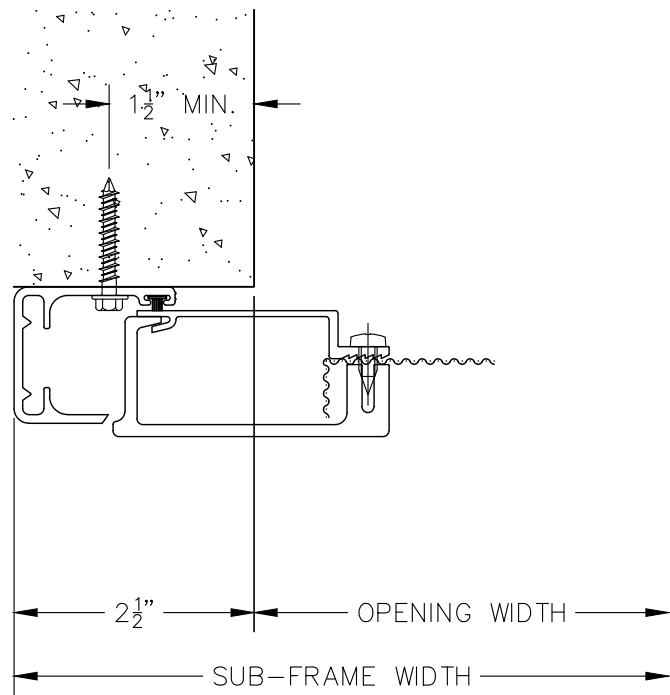
DRAWN: _____ DATE: 09/15/2014

SCALE: 3/4" = 1' - 0"

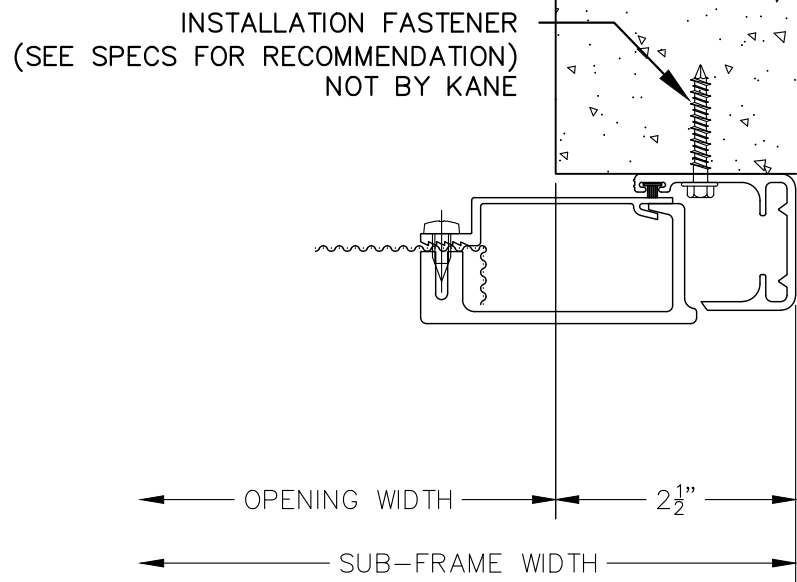
SHEET: E1

INFORMATION SHOWN ON THIS DRAWING IS PROPRIETARY AND THE SOLE PROPERTY OF KANE INNOVATIONS CORPORATION, AND IS NOT TO BE REPRODUCED, DISCLOSED, OR TRANSMITTED TO OTHERS FOR ANY PURPOSE NOT AUTHORIZED BY KANE INNOVATIONS CORPORATION.

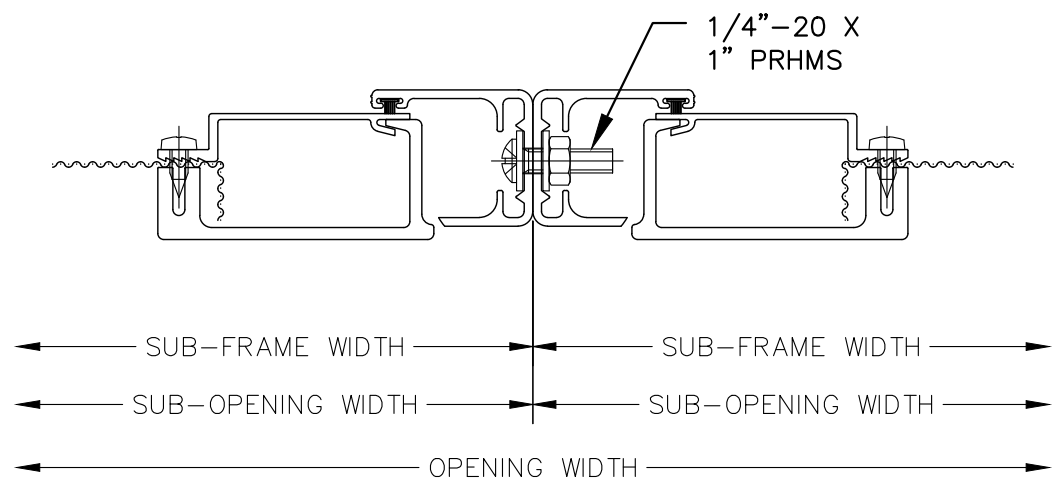
PH#: 800-773-2439
 www.kaneinnovations.com



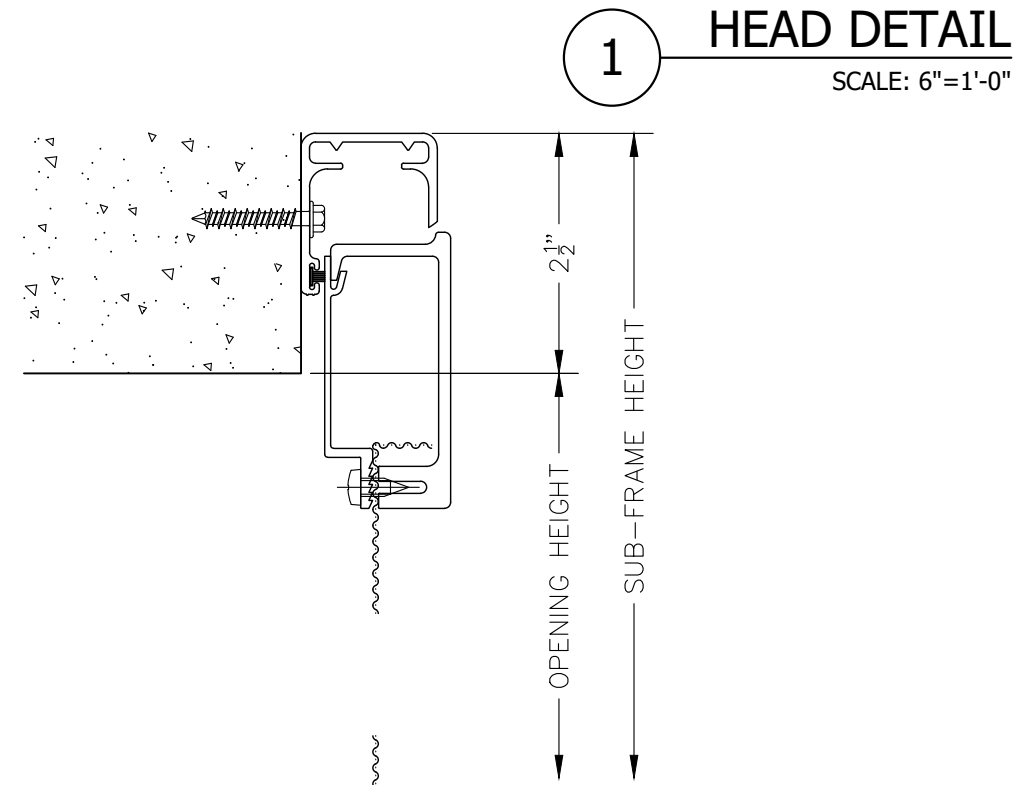
3 LEFT JAMB
SCALE: 6"=1'-0"



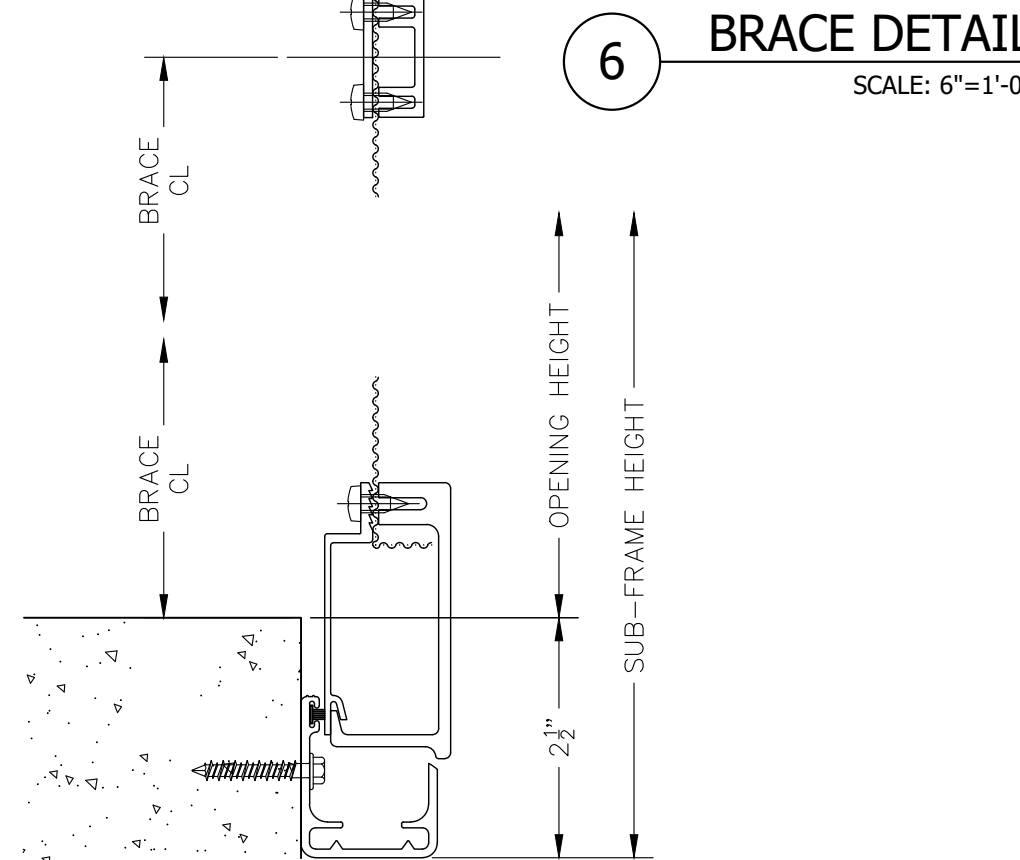
4 RIGHT JAMB
SCALE: 6"=1'-0"



5 MULLION DETAIL
SCALE: 6"=1'-0"



1 HEAD DETAIL
SCALE: 6"=1'-0"



6 BRACE DETAIL
SCALE: 6"=1'-0"

2 SILL DETAIL
SCALE: 6"=1'-0"

REV	BY	DATE	DESCRIPTION

KANE INNOVATIONS
GUARDIANS OF SAFE ENVIRONMENTS
KANE SECURITY
FORMED BY KANE

© 2021

A-VNG-O
ALUMINUM VAN GUARD - OPERABLE
SURFACE MOUNT

PROJECT	PROJECT NO.
DRAWN	DATE
SCALE	6" = 1' - 0"
SHEET	D1

INFORMATION SHOWN ON THIS DRAWING IS PROPRIETARY AND THE SOLE PROPERTY OF KANE INNOVATIONS CORPORATION, AND IS NOT TO BE REPRODUCED, DISCLOSED, OR TRANSMITTED TO OTHERS FOR ANY PURPOSE NOT AUTHORIZED BY KANE INNOVATIONS CORPORATION.