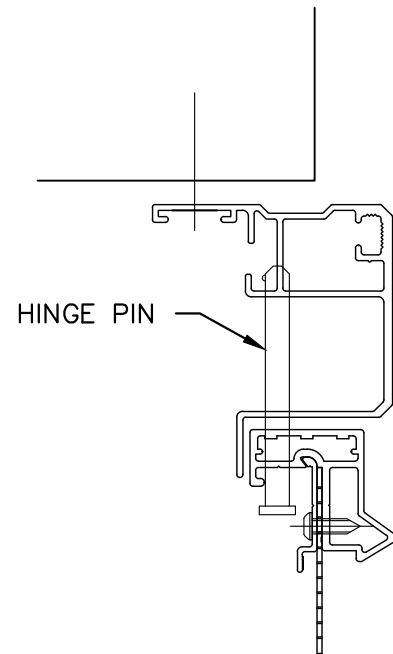
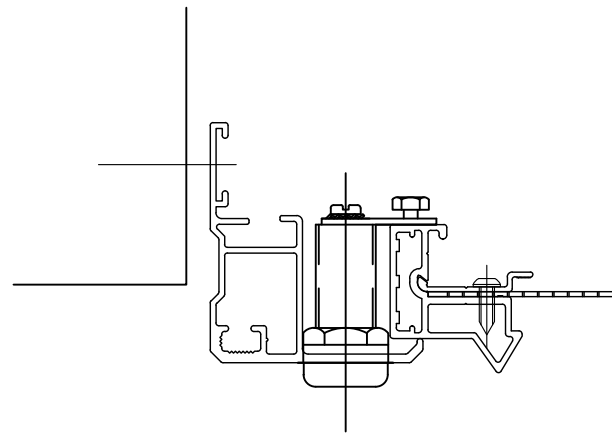


EMERGENCY EGRESS RELEASE
SCALE: 6"=1'-0"



HINGE DETAIL
SCALE: 6"=1'-0"



MAINTENANCE ACCESS — CAMLOCKS
SCALE: 6"=1'-0"

REV	BY	DATE	DESCRIPTION

REVISION LOG

KANE INNOVATIONS
GUARDIANS OF SAFE ENVIRONMENTS
KANE SECURITY
SERVING BY NAME

16506
PITTSBURGH, PENNSYLVANIA
PHONE: 800-773-2439
WWW.KANEINNOVATIONS.COM

© 2021

E-C21-O
ALUMINUM CRIME SHIELD - OPERABLE
HARDWARE-LOCK/RELEASE OPTIONS

PROJECT NO.

DRAWN DATE
09/15/2014

SCALE
6" = 1' - 0"

SHEET
HDWE

INFORMATION SHOWN ON THIS DRAWING IS PROPRIETARY AND THE SOLE PROPERTY OF KANE INNOVATIONS CORPORATION, AND IS NOT TO BE REPRODUCED, DISCLOSED, OR TRANSMITTED TO OTHERS FOR ANY PURPOSE NOT AUTHORIZED BY KANE INNOVATIONS CORPORATION.