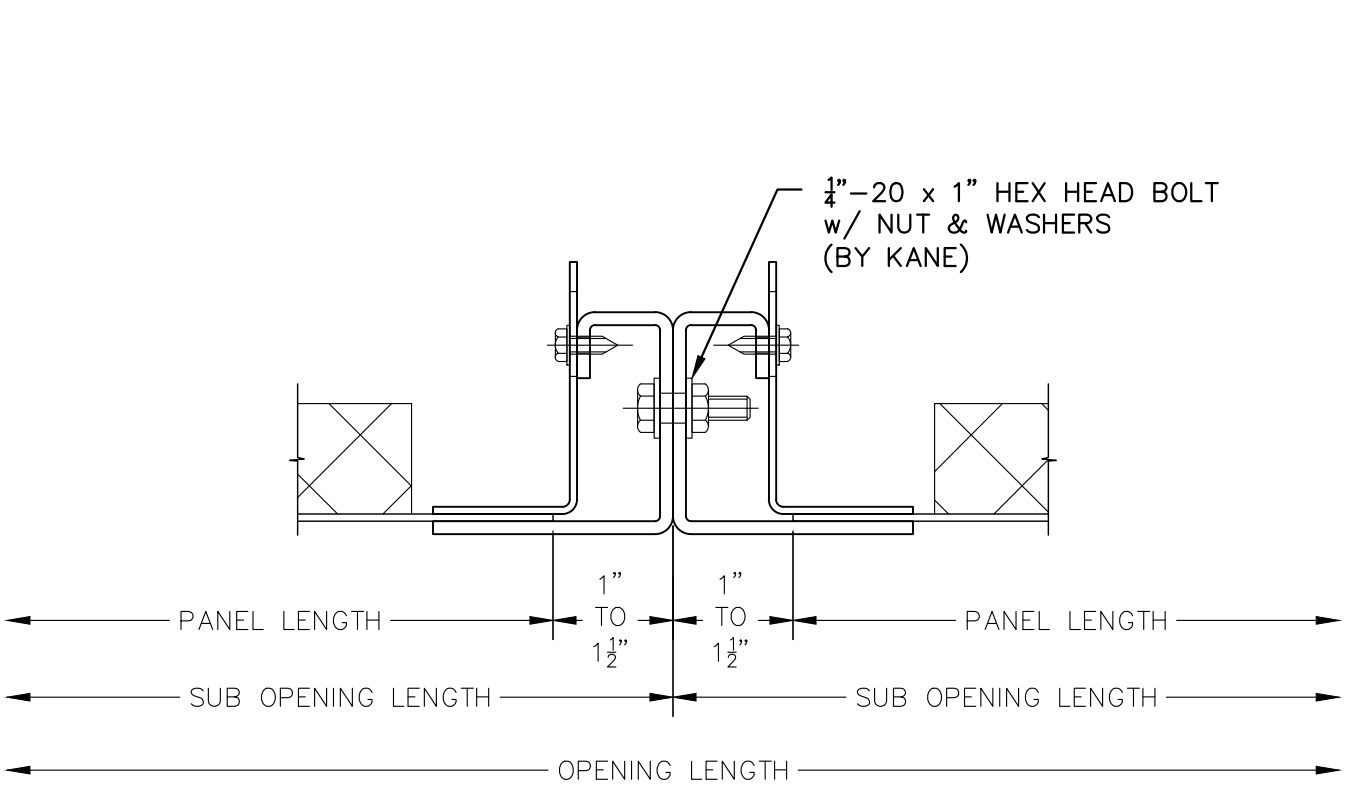
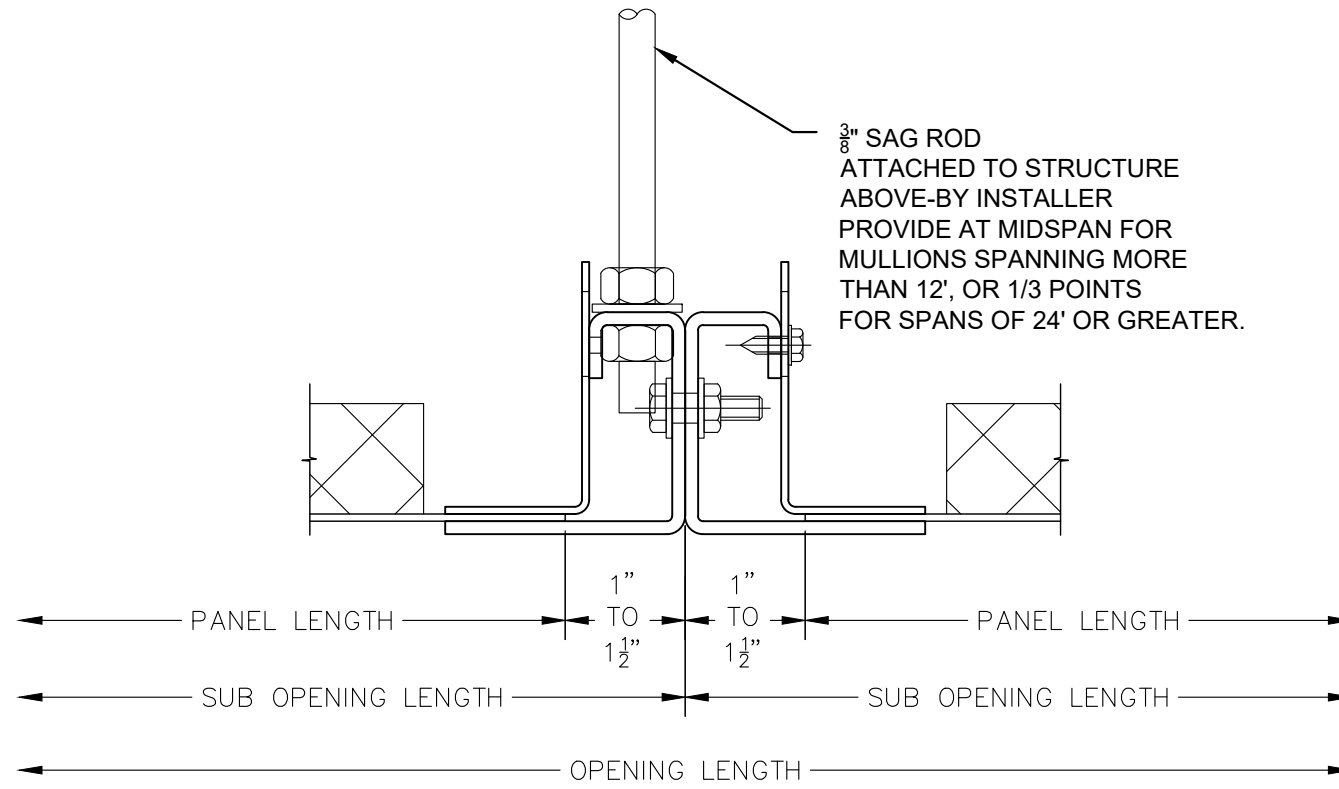


1 WALL DETAIL 6"=1'-0" 2 CONNECTION 6"=1'-0" 3 CONNECTION 6"=1'-0" 4 CONNECTION 6"=1'-0" 5 CONNECTION 6"=1'-0"



6 MULLION DETAIL 6"=1'-0"



7 LONG SPAN MULLION 6"=1'-0"

REVISION LOG	REV	BY	DATE	DESCRIPTION

KANE INNOVATIONS
 GUARDIANS OF SAFE ENVIRONMENTS
 EBBW, PENNSYLVANIA 16505
 PH#: 800-773-2439
 www.kaneinnovations.com

KANE DETENTION
 PROTECTION BY KANE

© 2021

G-CLG-N (14GA)
SECURITY PLANK CEILING

14 GA. GALV.

PROJECT	
PROJECT NO.	
DRAWN	DATE
	05/01/2014
SCALE	6"=1'-0"
SHEET	D1

INFORMATION SHOWN ON THIS DRAWING IS PROPRIETARY AND THE SOLE PROPERTY OF KANE INNOVATIONS CORPORATION AND IS NOT TO BE REPRODUCED, DISCLOSED, OR TRANSMITTED TO OTHERS FOR ANY PURPOSE NOT AUTHORIZED BY KANE INNOVATIONS CORPORATION.