

REV	BY	DATE	DESCRIPTION

KANE INNOVATIONS
 GUARDIANS OF SAFE ENVIRONMENTS
 2520 HUNTERS LANE
 ERIE, PENNSYLVANIA 16506
 PH: 800-773-2439
 www.kaneinnovations.com

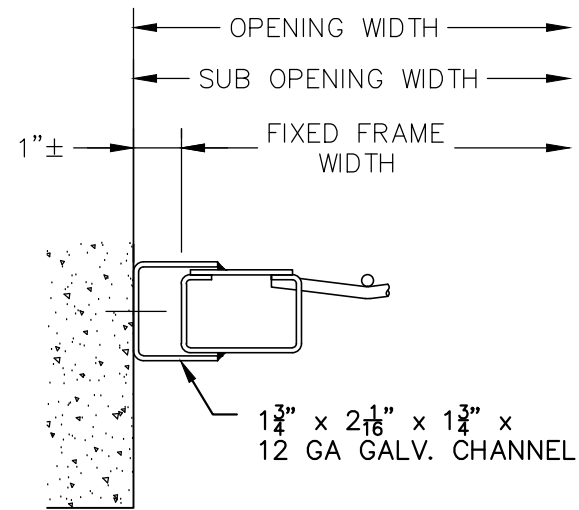
KANE DETENTION
 PROTECTION BY NAME

© 2014

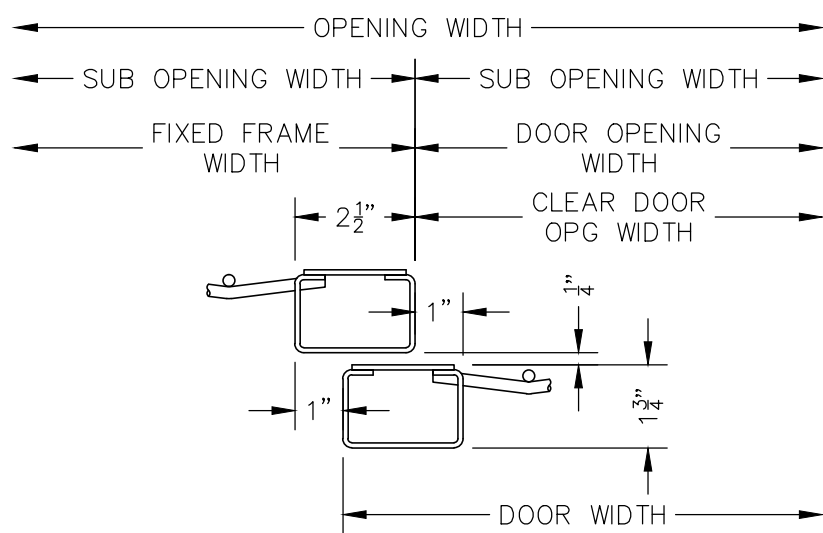
G-D12-S
VANTAGE WALL SLIDING DOOR
12 GA. GALV.

PROJECT	
PROJECT NO.	
DRAWN	DATE
	09/15/2014
SCALE	
	3/4" = 1' - 0"
SHEET	
	E1

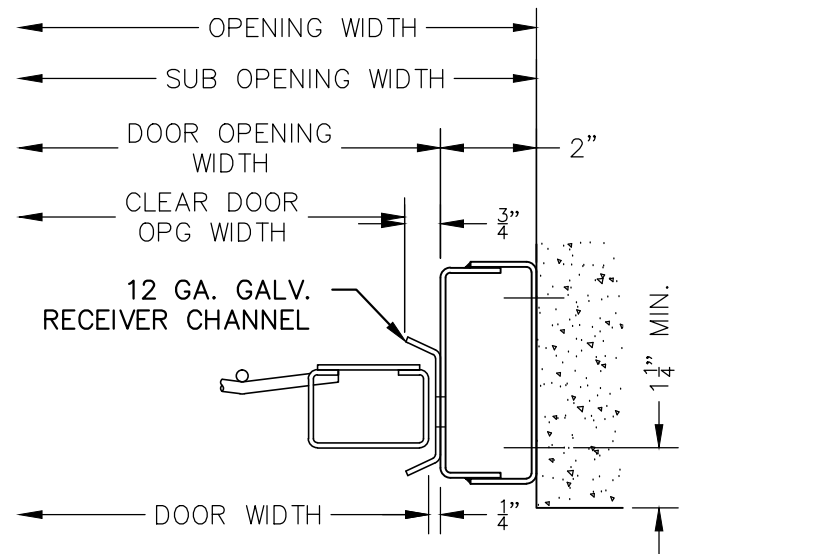
INFORMATION SHOWN ON THIS DRAWING IS PROPRIETARY AND THE SOLE PROPERTY OF KANE INNOVATIONS CORPORATION, AND IS NOT TO BE REPRODUCED, DISCLOSED, OR TRANSMITTED TO OTHERS FOR ANY PURPOSE, NOT AUTHORIZED BY KANE INNOVATIONS CORPORATION.



1 JAMB DETAIL
3"=1'-0"



2 DETAIL
3"=1'-0"



3 JAMB DETAIL
3"=1'-0"

REV	BY	DATE	DESCRIPTION

KANE INNOVATIONS
GUARDIANS OF SAFE ENVIRONMENTS
KANE DETENTION PROTECTION BY KANE

2520 HUNTERS LANE
EBERLE, PENNSYLVANIA 16506
PH: 800-773-2439
www.kaneinnovations.com

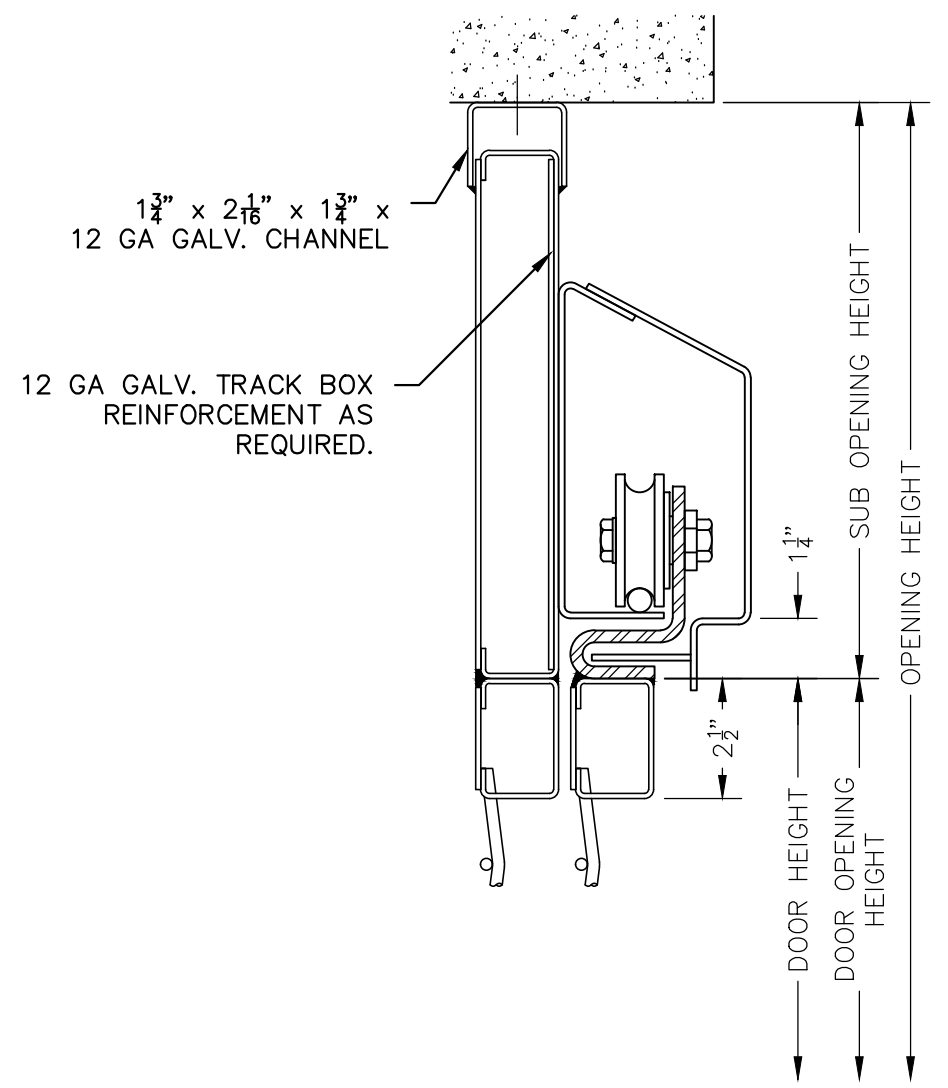
© 2014

PROJECT	
PROJECT NO.	
DRAWN	DATE
	09/15/2014
SCALE	
3" = 1' - 0"	
SHEET	
D1	

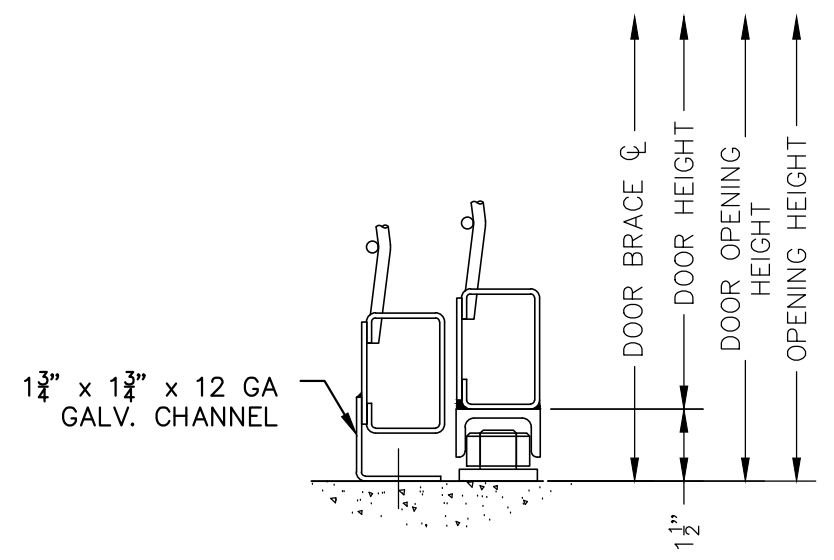
G-D12-S
VANTAGE WALL SLIDING DOOR
12 GA. GALV.

INFORMATION SHOWN ON THIS DRAWING IS PROPRIETARY AND THE SOLE PROPERTY OF KANE INNOVATIONS CORPORATION, AND IS NOT TO BE REPRODUCED, DISCLOSED, OR TRANSMITTED TO OTHERS FOR ANY PURPOSE, NOT AUTHORIZED BY KANE INNOVATIONS CORPORATION.

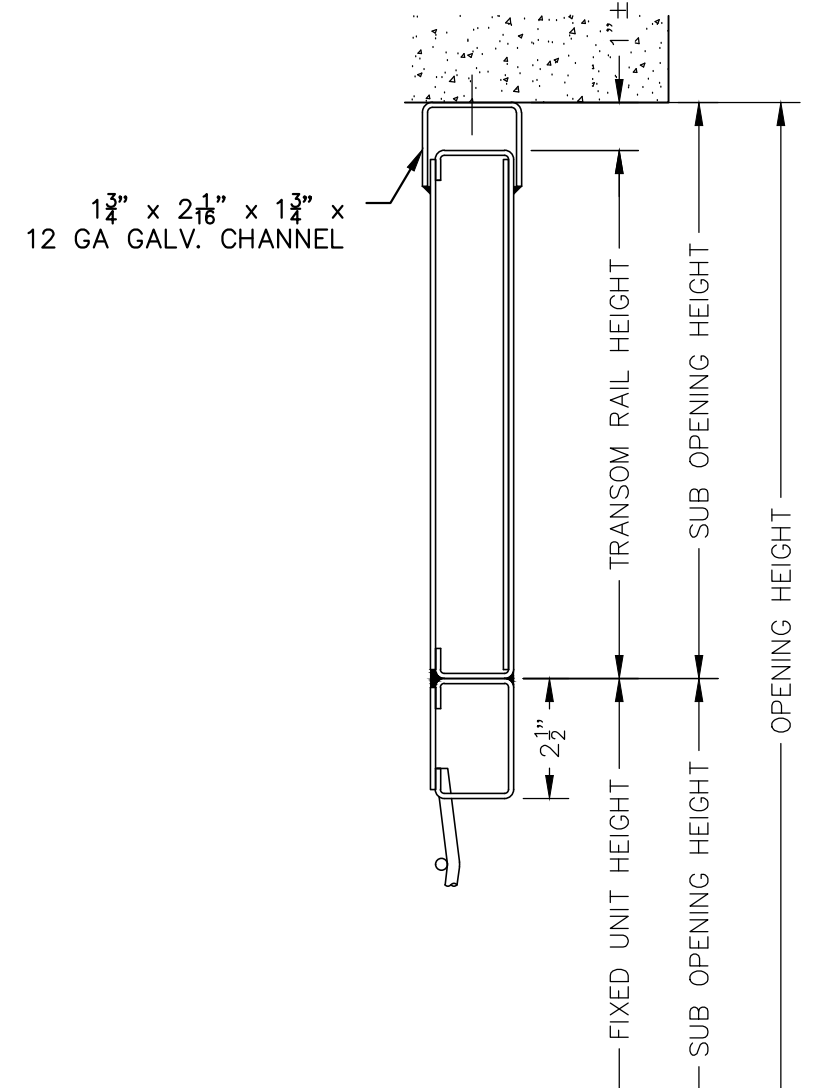
4 HEAD DETAIL
3"=1'-0"



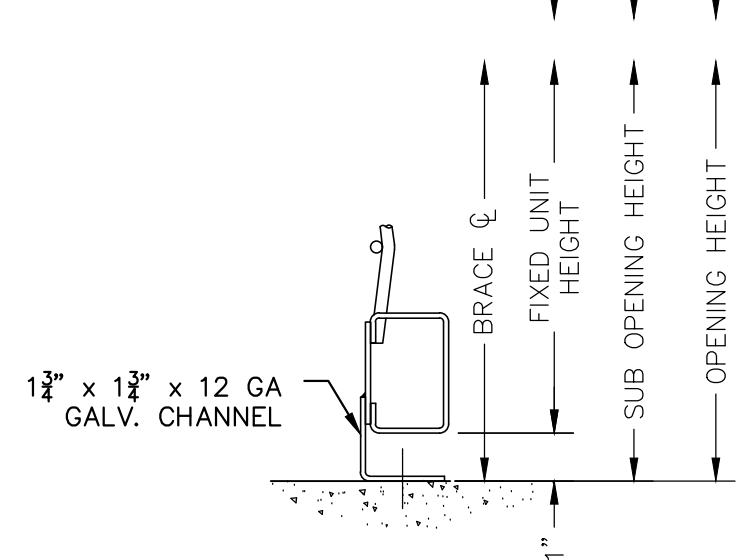
6 SILL DETAIL
3"=1'-0"



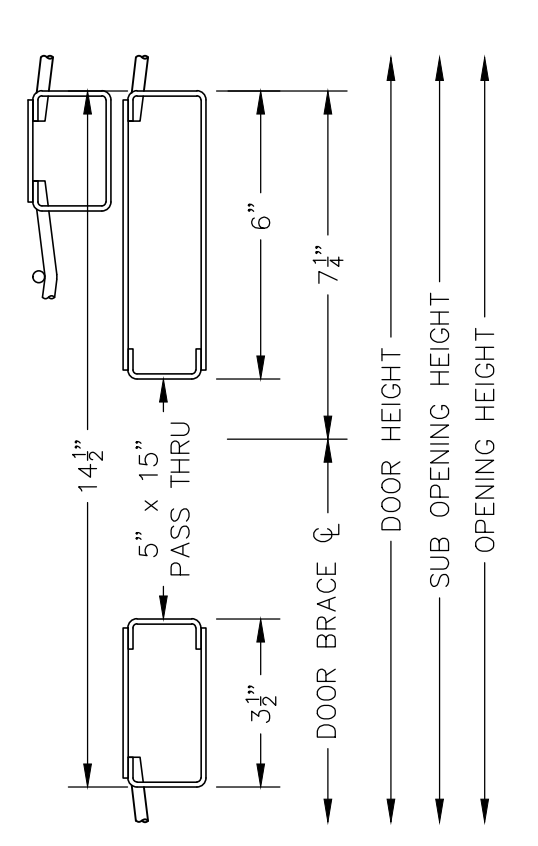
7 HEAD DETAIL
3"=1'-0"



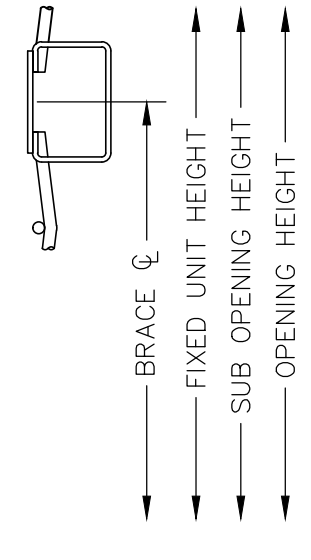
9 SILL DETAIL
3"=1'-0"



5 BRACE DETAIL
3"=1'-0"



8 BRACE DETAIL
3"=1'-0"



REV	BY	DATE	DESCRIPTION

KANE INNOVATIONS
GUARDIANS OF SAFE ENVIRONMENTS

2520 HUNTERS LANE
ERIE, PENNSYLVANIA 16506
PH: 800-773-2439
www.kaneinnovations.com

KANE DETENTION
PROTECTION BY NAME

© 2014

G-D12-S
VANTAGE WALL SLIDING DOOR

12 GA. GALV.

PROJECT	
PROJECT NO.	
DRAWN	DATE
	09/15/2014
SCALE	3" = 1' - 0"
SHEET	D2

INFORMATION SHOWN ON THIS DRAWING IS PROPRIETARY AND THE SOLE PROPERTY OF KANE INNOVATIONS CORPORATION, AND IS NOT TO BE REPRODUCED, DISCLOSED, OR TRANSMITTED TO OTHERS FOR ANY PURPOSE, NOT AUTHORIZED BY KANE INNOVATIONS CORPORATION.