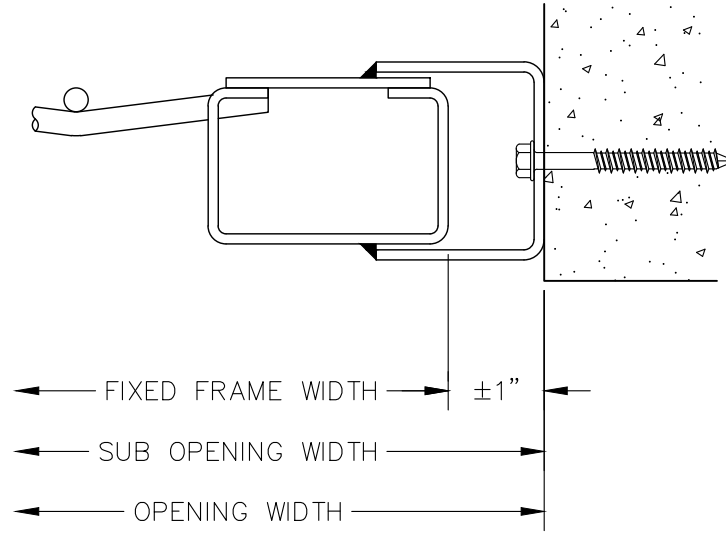
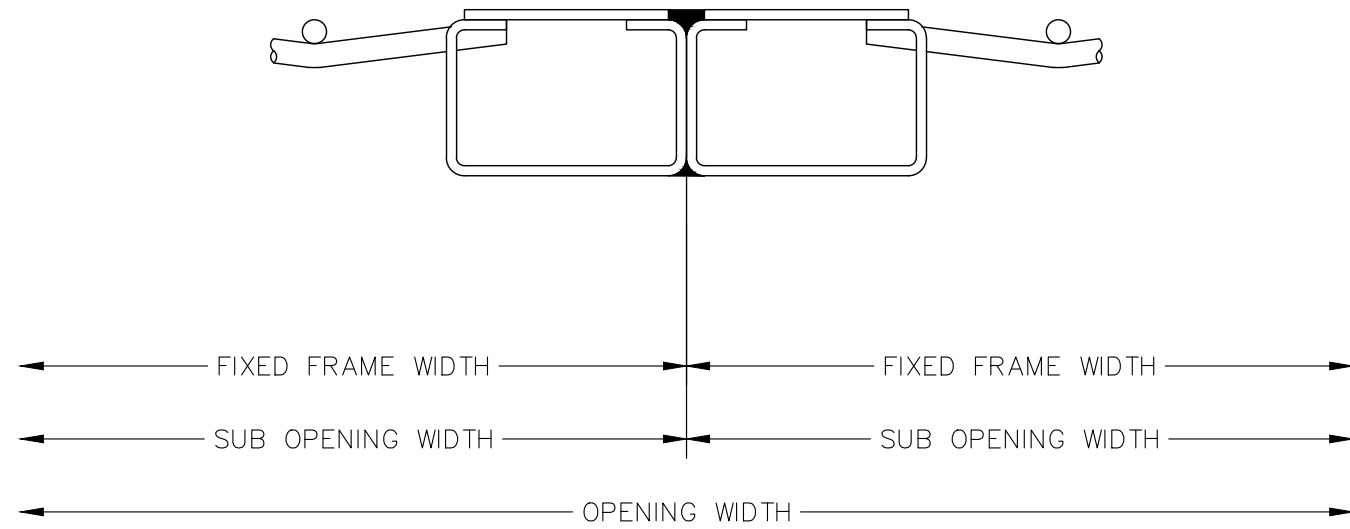


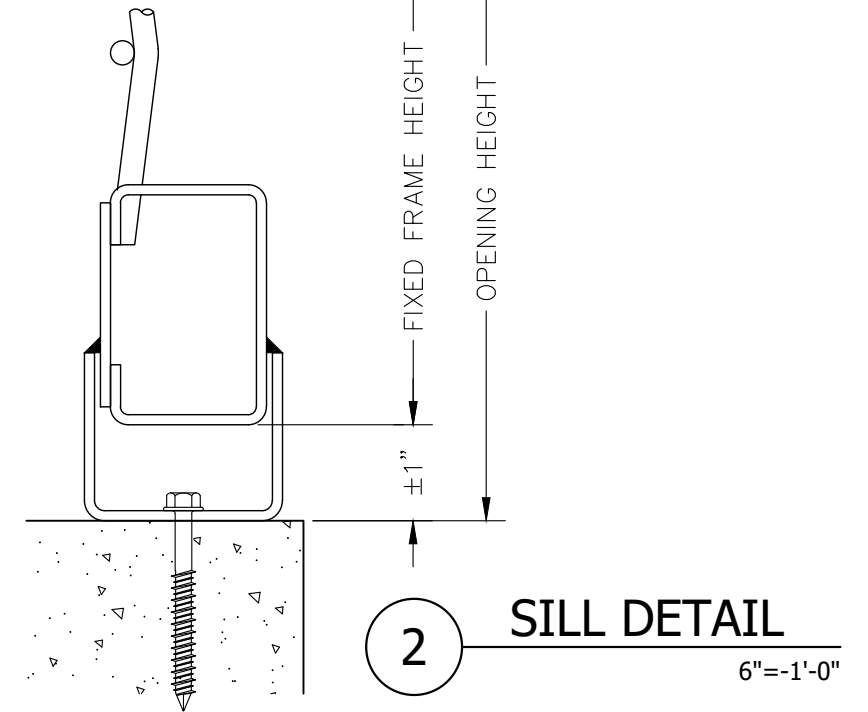
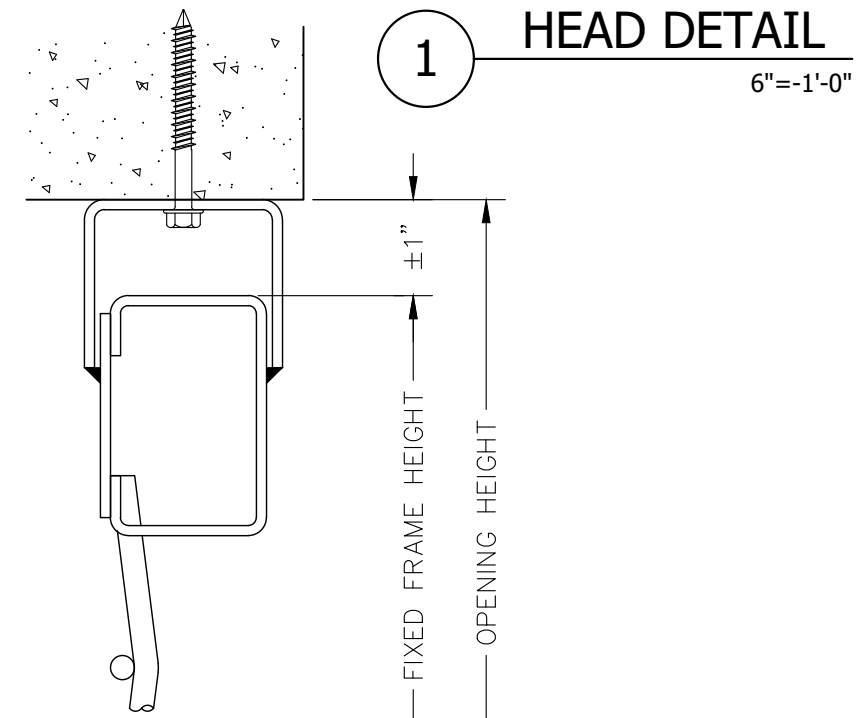
3 LEFT JAMB  
6"=-1'-0"



4 RIGHT JAMB  
6"=-1'-0"



5 MULLION DETAIL  
6"=-1'-0"



NO.	DESCRIPTION	REV.	BY	DATE

**KANE INNOVATIONS**  
GUARDIANS OF SAFE ENVIRONMENTS

**KANE DETENTION**  
PROTECTION BY KANE

EBERLE, PENNSYLVANIA 16808  
PH#: 800-773-2439  
www.kanetechinc.com

© 2021

<b>G-V12-Z</b>	
VANTAGE WALL - 12 GA. GALV.	
REVEAL MOUNT	
PROJECT	
PROJECT NO.	
DRAWN	DATE
	05/01/2014
SCALE	6"=1'-0"
SHEET	D1

INFORMATION SHOWN ON THIS DRAWING IS PROPRIETARY AND THE SOLE PROPERTY OF KANE INNOVATIONS CORPORATION AND IS NOT TO BE REPRODUCED, DISCLOSED, OR TRANSMITTED TO OTHERS FOR ANY PURPOSE NOT AUTHORIZED BY KANE INNOVATIONS CORPORATION.