

REVISION LOG	REV	BY	DATE	DESCRIPTION

**KANE INNOVATIONS**  
 GUARDIANS OF SAFE ENVIRONMENTS  
 16506  
 EBBE PENNSYLVANIA  
 PH# 800-773-2439  
 www.kaneinnovations.com

**KANE DETENTION**  
 PATENTED IN PA

© 2021

**PROJECT**  
 PROJECT NO.

**S-D12-P**  
**PRE-HUNG VANTAGE WALL DOOR**

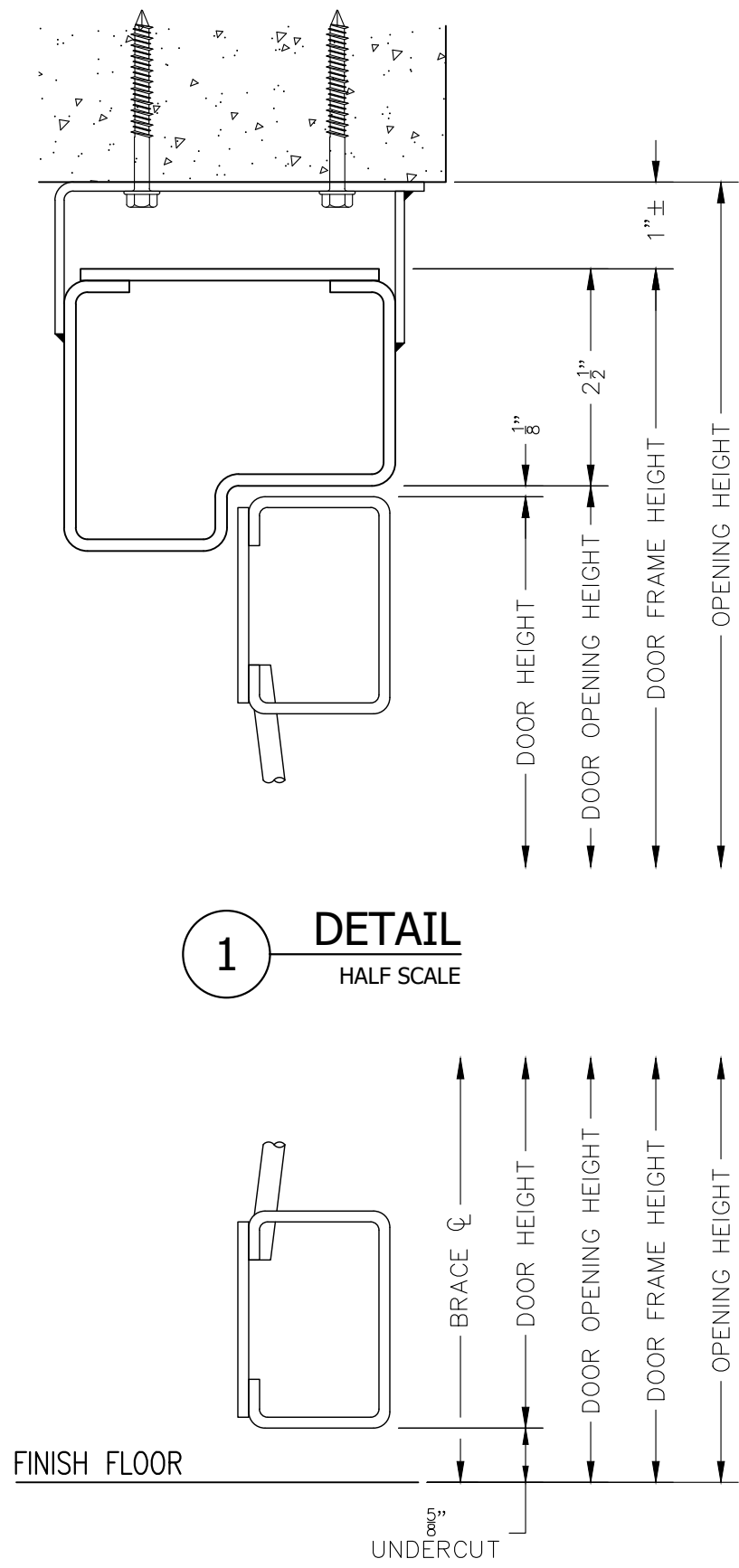
**12 GA. STEEL**

**DRAWN** DATE  
 05/01/2014

**SCALE**  
 3/4"=1'-0"

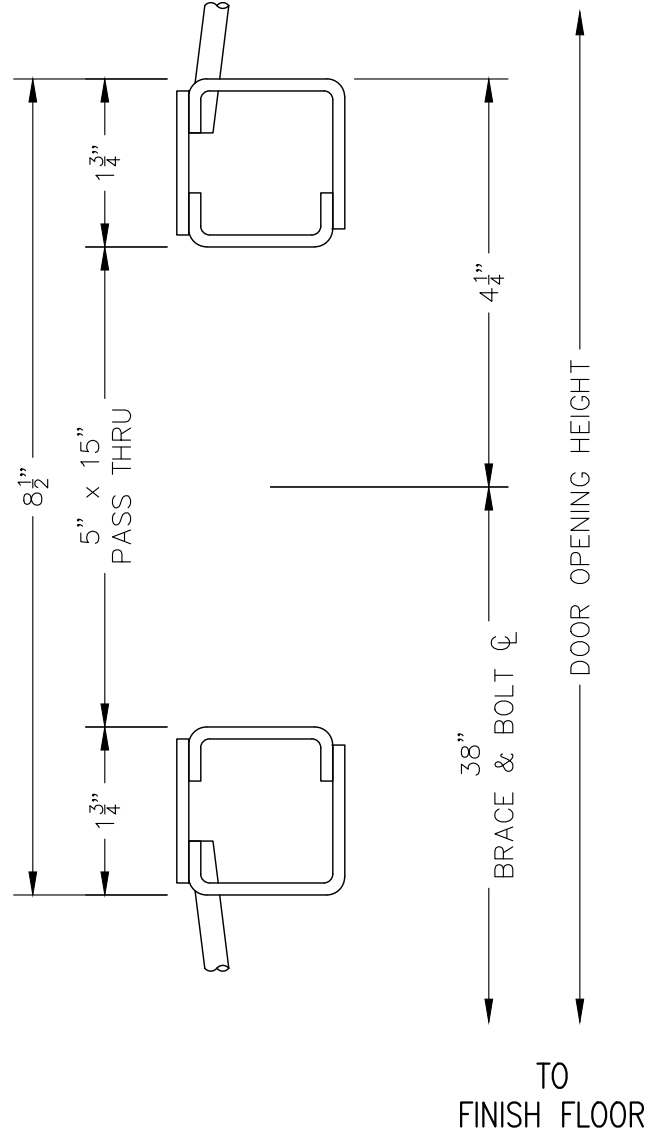
**SHEET**  
 E1

INFORMATION SHOWN ON THIS DRAWING IS PROPRIETARY AND THE SOLE PROPERTY OF KANE INNOVATIONS CORPORATION, AND IS NOT TO BE REPRODUCED, DISCLOSED, OR TRANSMITTED TO OTHERS FOR ANY PURPOSE NOT AUTHORIZED BY KANE INNOVATIONS CORPORATION.

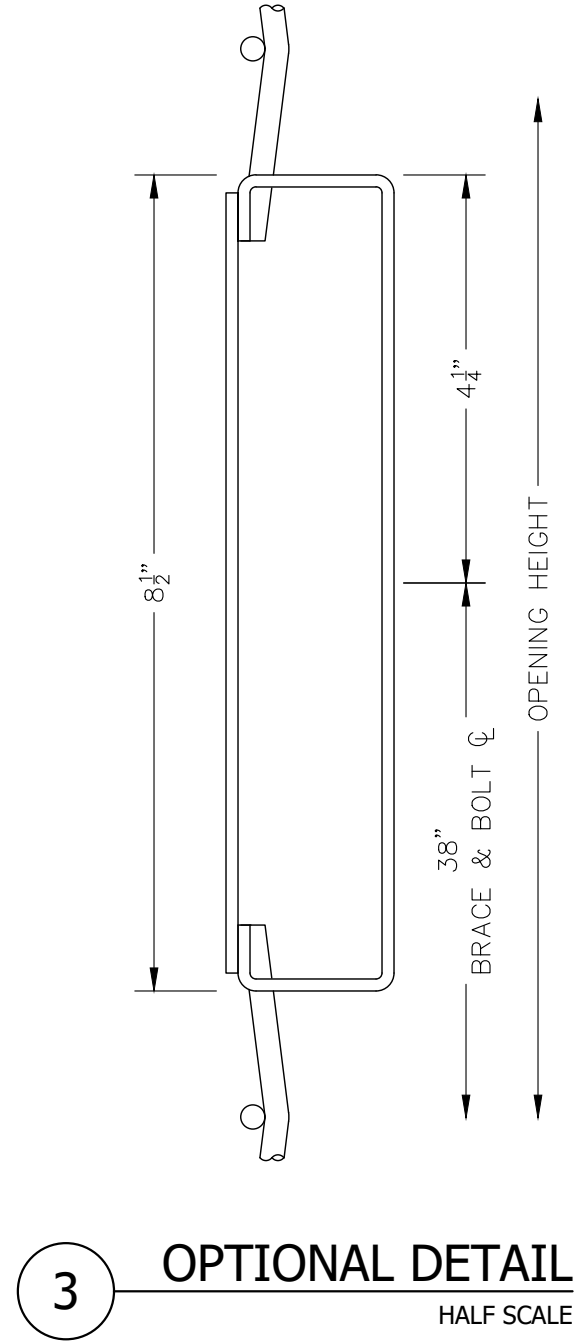


**1** **DETAIL**  
HALF SCALE

**2** **DETAIL**  
HALF SCALE



**3** **DETAIL**  
HALF SCALE



**3** **OPTIONAL DETAIL**  
HALF SCALE

REVISION LOG	REV	BY	DATE	DESCRIPTION

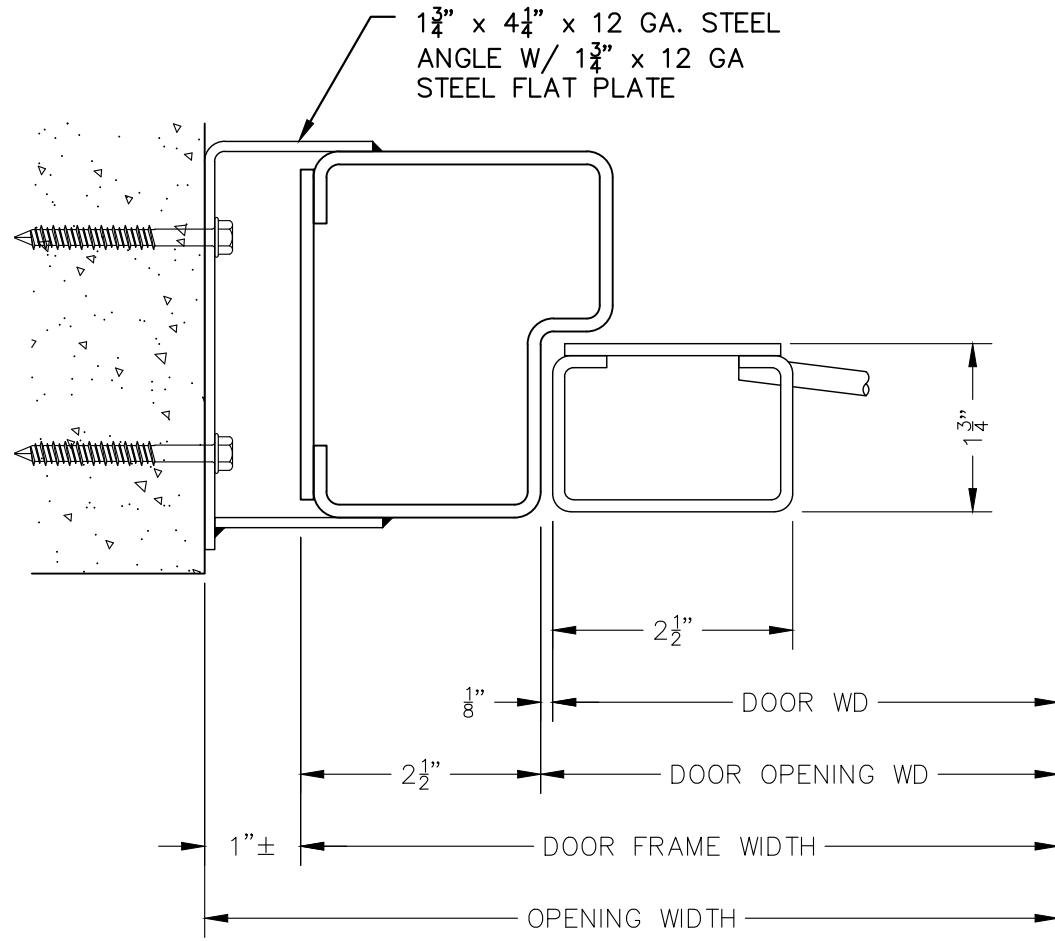
**KANE INNOVATIONS**  
GUARDIANS OF SAFE ENVIRONMENTS  
KANE DETENTION PARTNERSHIP IN MASS  
16506  
EBERLE PENNSYLVANIA  
PH: 800-773-2439  
www.kaneinnovations.com

© 2021

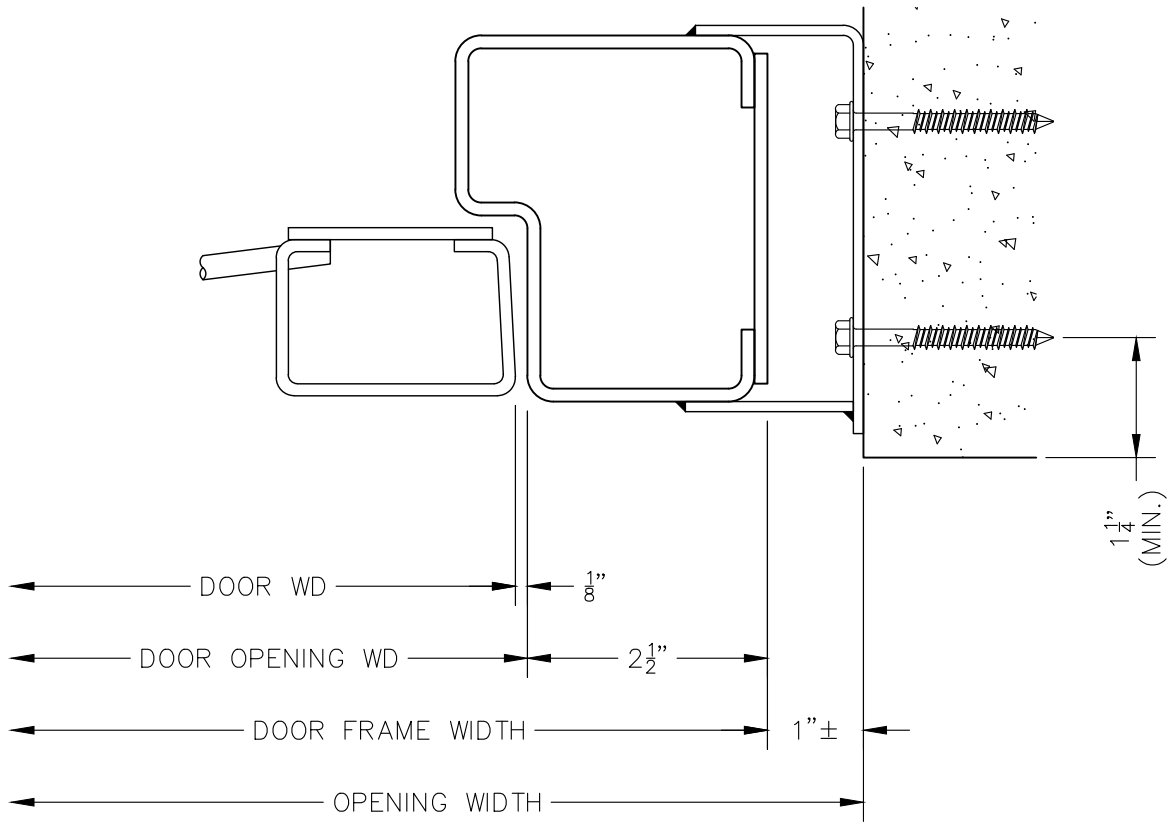
**S-D12-P**  
**PRE-HUNG VANTAGE WALL DOOR**  
**12 GA. STEEL**

PROJECT	PROJECT NO.
DRAWN	DATE
SCALE	6"=1'-0"
SHEET	D1

INFORMATION SHOWN ON THIS DRAWING IS PROPRIETARY AND THE SOLE PROPERTY OF KANE INNOVATIONS CORPORATION, AND IS NOT TO BE REPRODUCED, DISCLOSED, OR TRANSMITTED TO OTHERS FOR ANY PURPOSE NOT AUTHORIZED BY KANE INNOVATIONS CORPORATION.



**4** JAMB DETAIL  
HALF SCALE



**5** JAMB DETAIL  
HALF SCALE

<b>REVISION LOG</b>									INFORMATION SHOWN ON THIS DRAWING IS PROPRIETARY AND THE SOLE PROPERTY OF KANE INNOVATIONS CORPORATION, AND IS NOT TO BE REPRODUCED, DISCLOSED, OR TRANSMITTED TO OTHERS FOR ANY PURPOSE NOT AUTHORIZED BY KANE INNOVATIONS CORPORATION.
REV#	BY	DATE	DESCRIPTION						
 <b>KANE INNOVATIONS</b> GUARDIANS OF SAFE ENVIRONMENTS 16506 EBBE PENNSYLVANIA PH# 800-773-2439 www.kaneinnovations.com									
© 2021									
<b>S-D12-P</b> <b>PRE-HUNG VANTAGE WALL DOOR</b> <b>12 GA. STEEL</b>									
PROJECT									
PROJECT NO.									
DRAWN					DATE				
					05/01/2014				
SCALE									
6"=1'-0"									
SHEET									
D2									