

REV	BY	DATE	DESCRIPTION

KANE INNOVATIONS
 GUARDIANS OF SAFE ENVIRONMENTS
 EBBE, PENNSYLVANIA 16505
 PH#: 800-773-2439
 www.kaneinnovations.com

KANE DETENTION
 PROTECTION BY NAME

© 2021

S-D12-S
VANTAGE WALL SLIDING DOOR

12 GA. STEEL

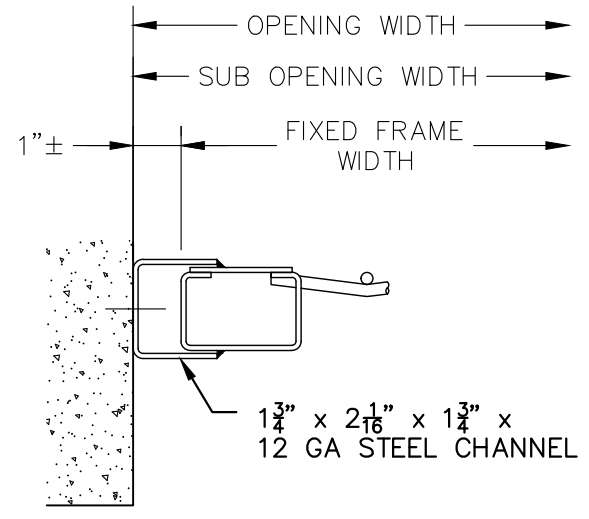
PROJECT: _____
 PROJECT NO.: _____

DRAWN: _____ DATE: 05/01/2014

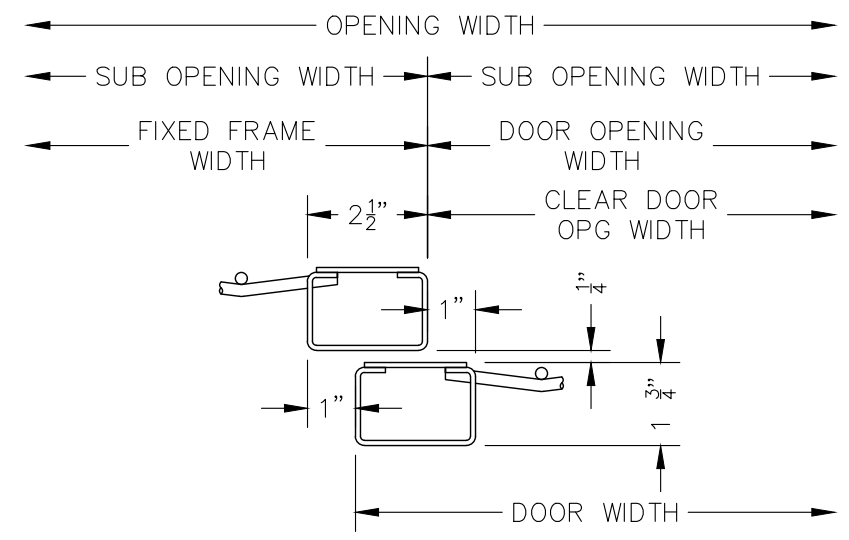
SCALE: 3/4"=1'-0"

SHEET: E1

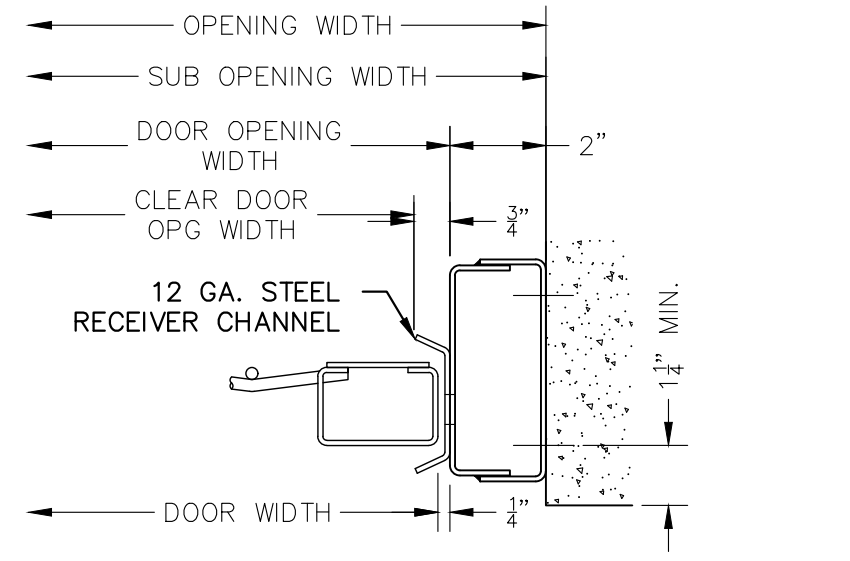
INFORMATION SHOWN ON THIS DRAWING IS PROPRIETARY AND THE SOLE PROPERTY OF KANE INNOVATIONS CORPORATION AND IS NOT TO BE REPRODUCED, DISCLOSED, OR TRANSMITTED TO OTHERS FOR ANY PURPOSE NOT AUTHORIZED BY KANE INNOVATIONS CORPORATION.



1 JAMB DETAIL
3"=1'-0"



2 DETAIL
3"=1'-0"



3 JAMB DETAIL
3"=1'-0"

REV	BY	DATE	DESCRIPTION

REVISION LOG

KANE INNOVATIONS
GUARDIANS OF SAFE ENVIRONMENTS
KANE DETENTION FACILITY # 146
EBER, PENNSYLVANIA 16808
PH#: 800-773-2439
www.kaneinnovations.com

© 2021

PROJECT
PROJECT NO.

DRAWN DATE
05/01/2014

SCALE
3"=1'-0"

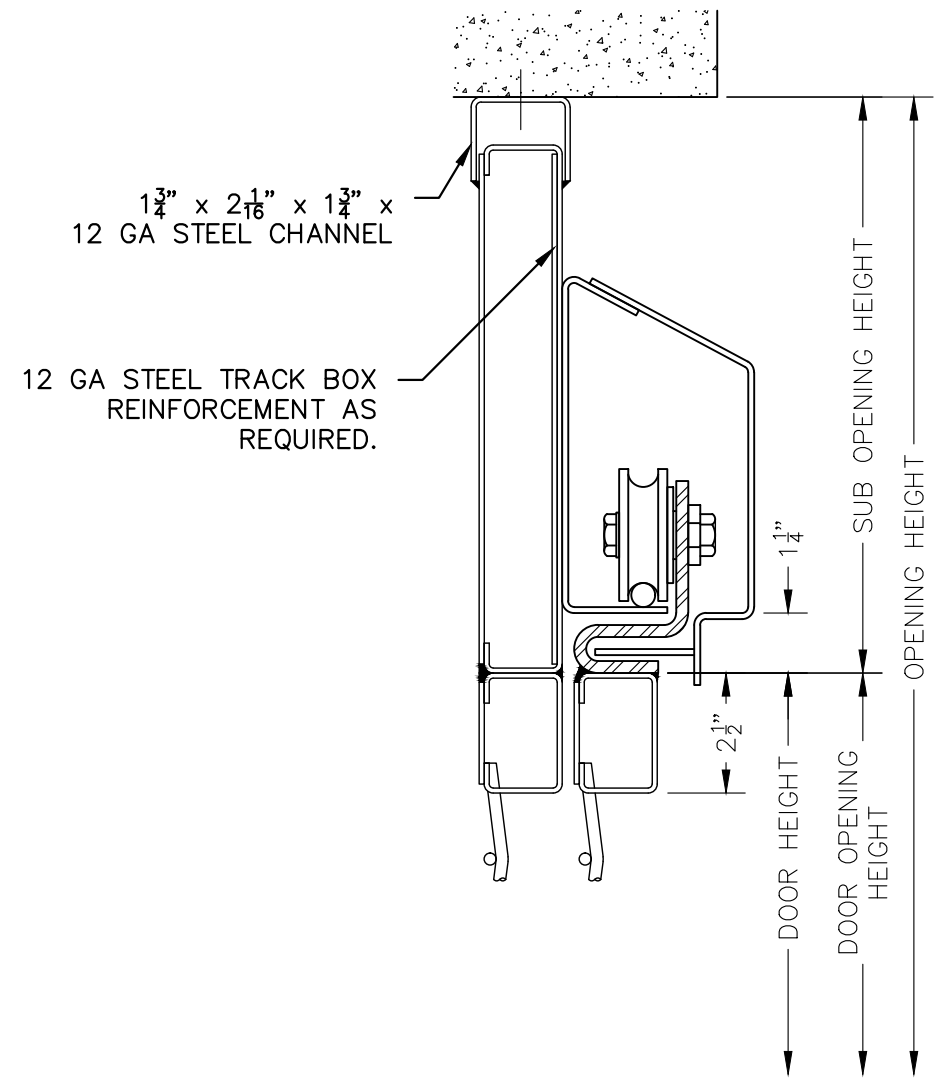
SHEET
D1

S-D12-S
VANTAGE WALL SLIDING DOOR

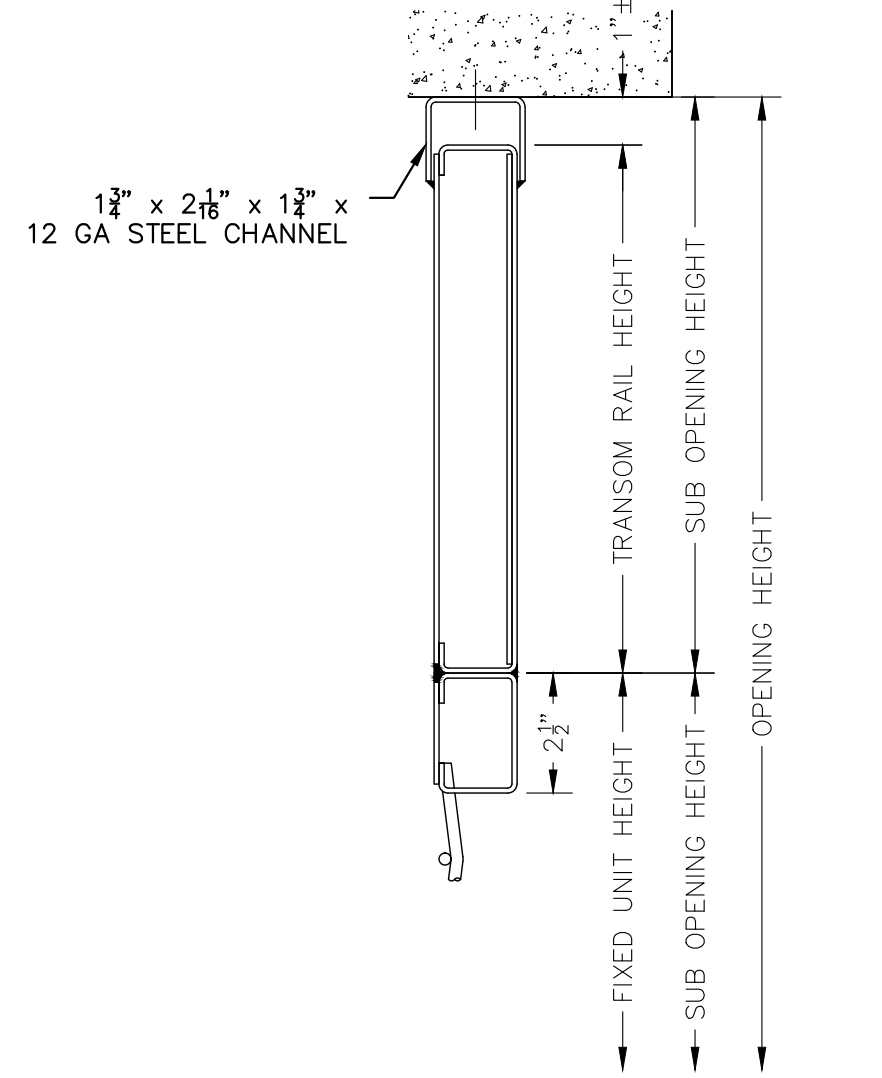
12 GA. STEEL

INFORMATION SHOWN ON THIS DRAWING IS PROPRIETARY AND THE SOLE PROPERTY OF KANE INNOVATIONS CORPORATION AND IS NOT TO BE REPRODUCED, DISCLOSED, OR TRANSMITTED TO OTHERS FOR ANY PURPOSE NOT AUTHORIZED BY KANE INNOVATIONS CORPORATION.

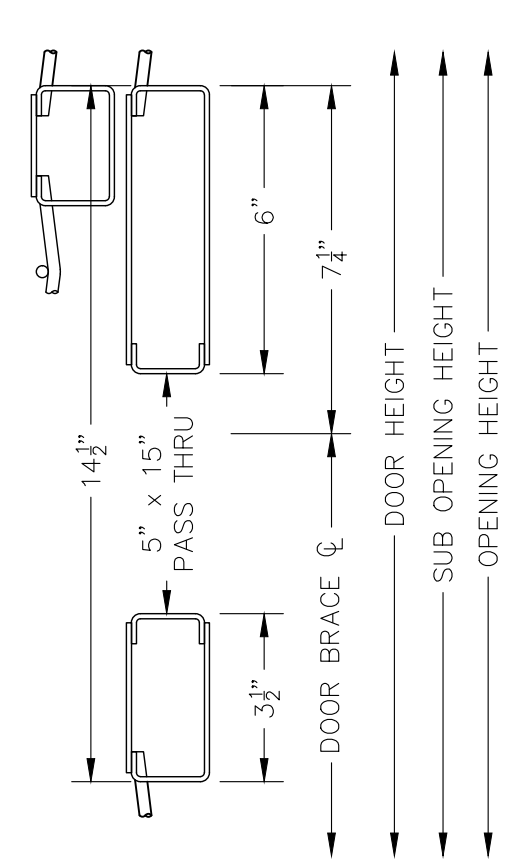
4 HEAD DETAIL
3"=1'-0"



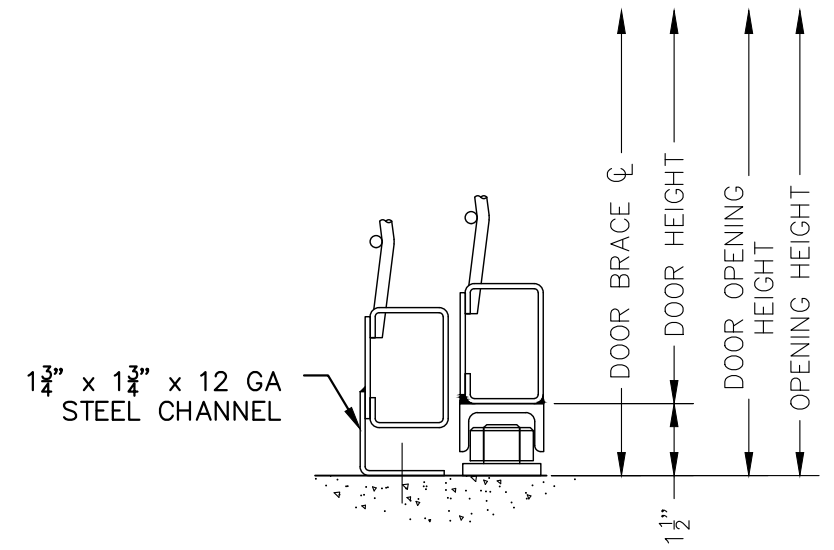
7 HEAD DETAIL
3"=1'-0"



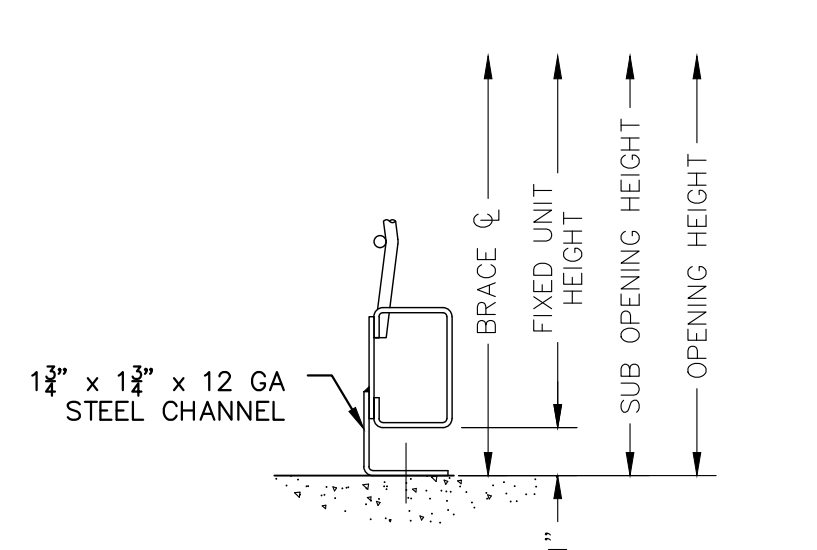
5 BRACE DETAIL
3"=1'-0"



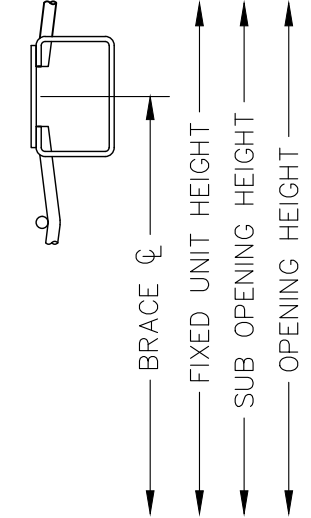
6 SILL DETAIL
3"=1'-0"



9 SILL DETAIL
3"=1'-0"



8 BRACE DETAIL
3"=1'-0"



REVISION LOG	REV	BY	DATE	DESCRIPTION

KANE INNOVATIONS
GUARDIANS OF SAFE ENVIRONMENTS
KANE DETENTION FACILITY BY KANE

INFORMATION SHOWN ON THIS DRAWING IS PROPRIETARY AND THE SOLE PROPERTY OF KANE INNOVATIONS CORPORATION AND IS NOT TO BE REPRODUCED, DISCLOSED, OR TRANSMITTED TO OTHERS FOR ANY PURPOSE NOT AUTHORIZED BY KANE INNOVATIONS CORPORATION.

EBERLE, PENNSYLVANIA 16808
PH#: 800-773-2439
www.kaneinnovations.com

© 2021

S-D12-S
VANTAGE WALL SLIDING DOOR
12 GA. STEEL

PROJECT	PROJECT NO.
DRAWN	DATE
SCALE	3"=1'-0"
SHEET	D2