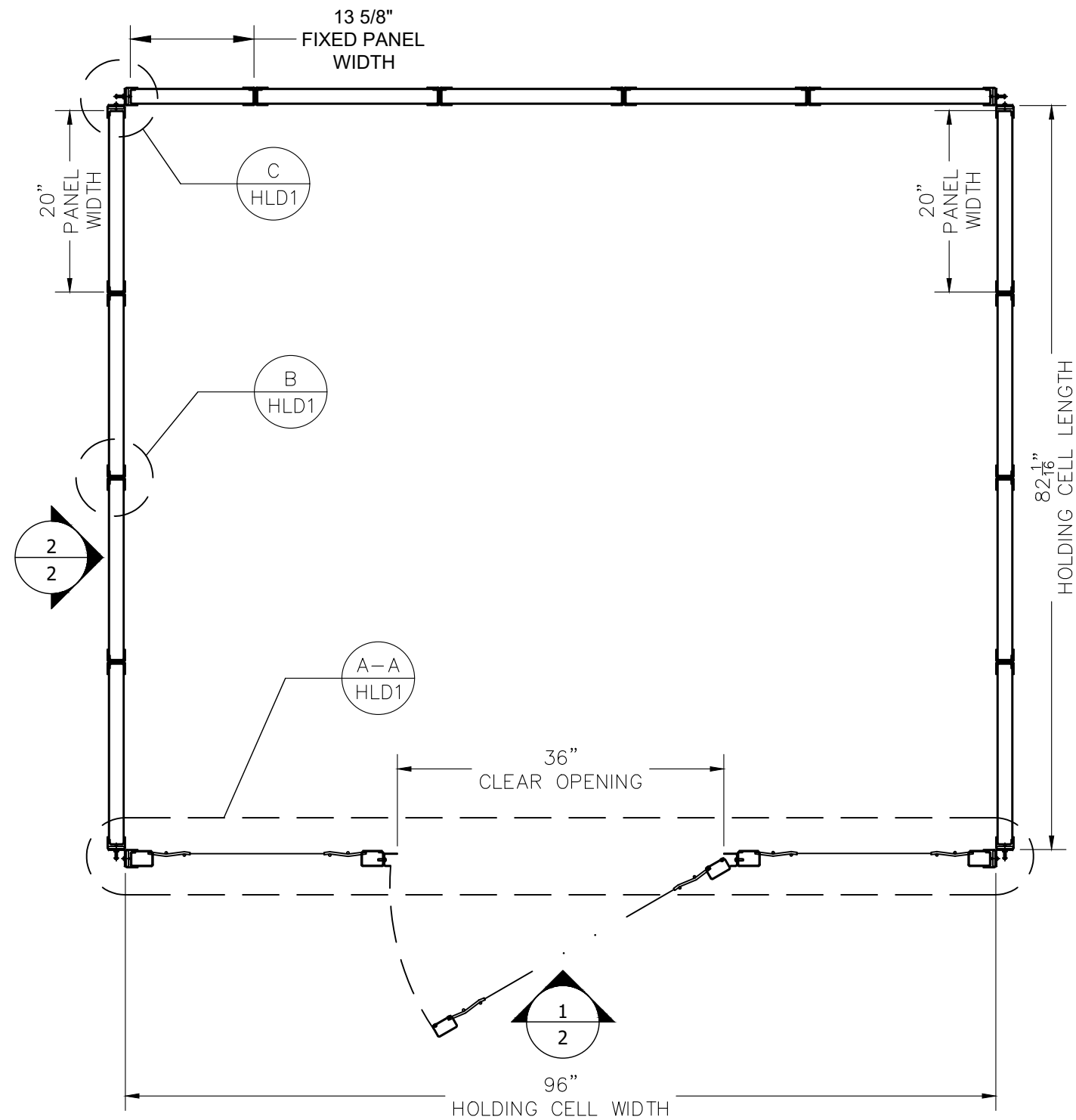


BASE CHANNEL LAYOUT AND SIZES



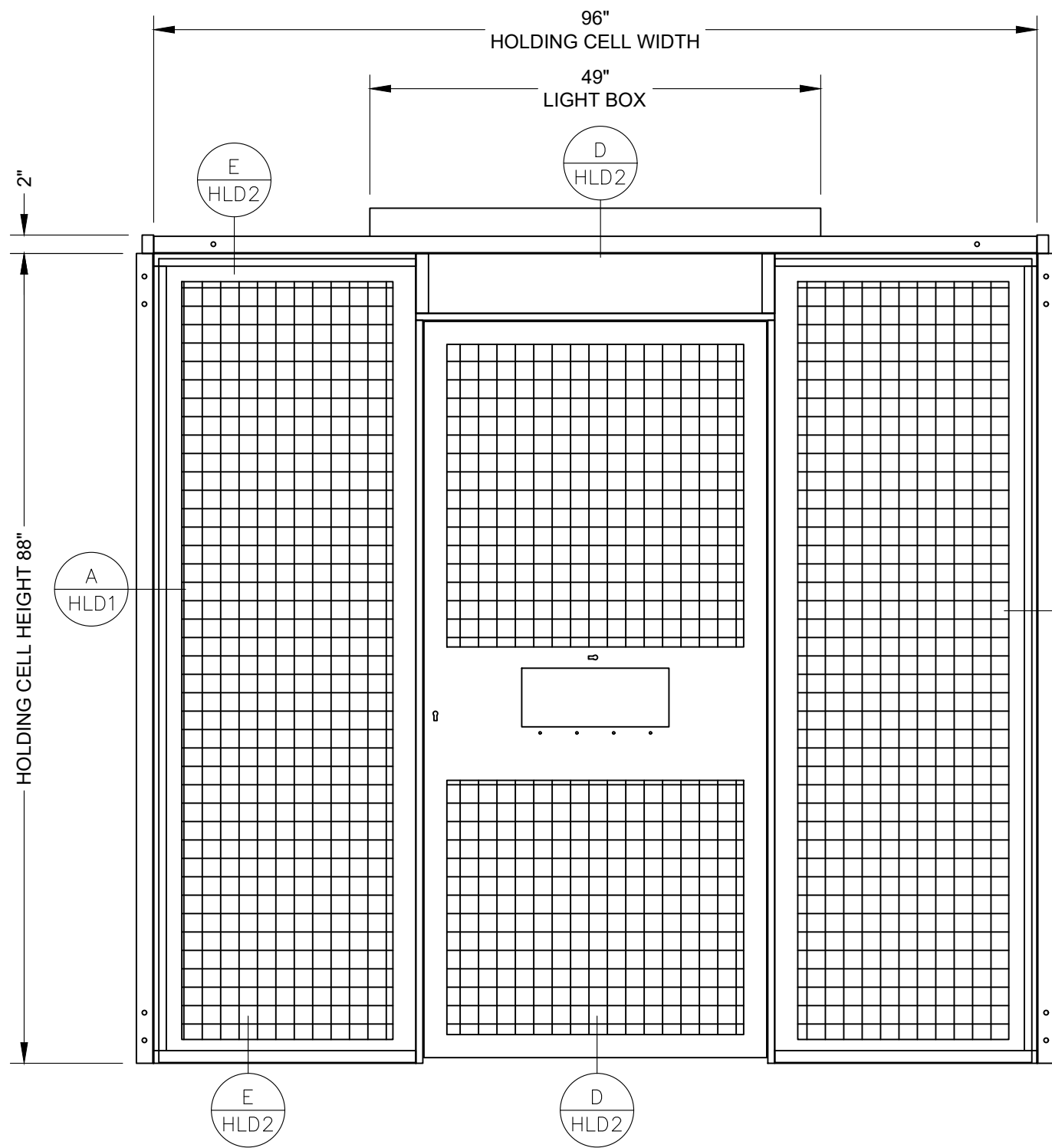
HOLDING CELL PLAN VIEW

 KANE INNOVATIONS GUARDIANS OF SAFE ENVIRONMENTS EBBW, PENNSYLVANIA 16808 PH#: 800-773-2439 www.kaneinnovations.com	
© 2021	
STEEL HOLDING CELL SINGLE	
PROJECT	DESCRIPTION
PROJECT NO.	
DRAWN	DATE
SCALE	09/15/2014
SHEET	3/4" = 1' - 0"
	1

REVISION LOG

REV	BY	DATE	DESCRIPTION

INFORMATION SHOWN ON THIS DRAWING IS PROPRIETARY AND THE SOLE PROPERTY OF KANE INNOVATIONS CORPORATION AND IS NOT TO BE REPRODUCED, DISCLOSED, OR TRANSMITTED TO OTHERS FOR ANY PURPOSE NOT AUTHORIZED BY KANE INNOVATIONS CORPORATION.

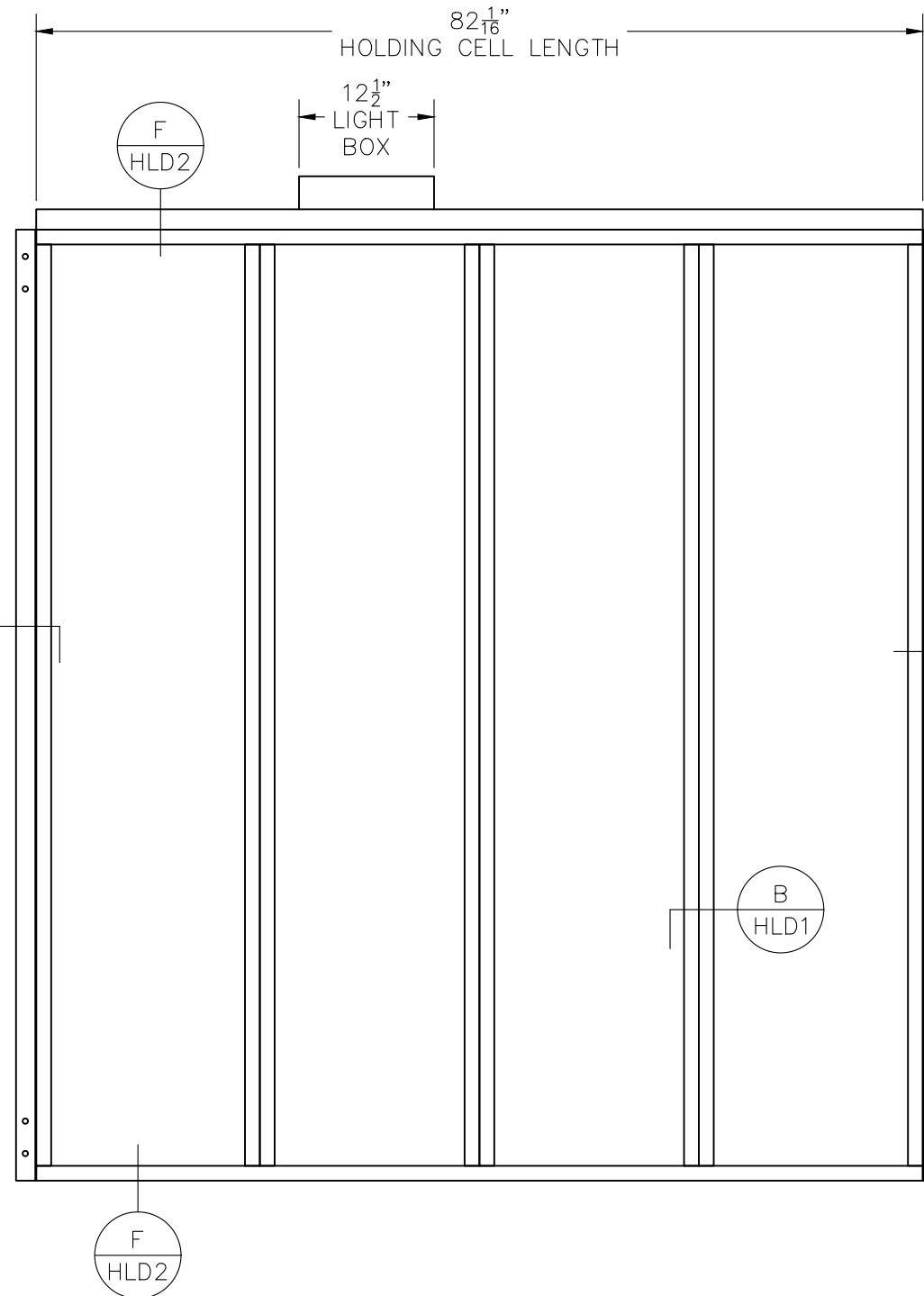


ELEVATION 1

HOLDING CELL CELL FRONT

(2) S-V12-24S-Z STEEL VANTAGE WALL PANELS

(1) S-VWO-24S-O OPERATING STEEL VANTAGE WALL DOOR



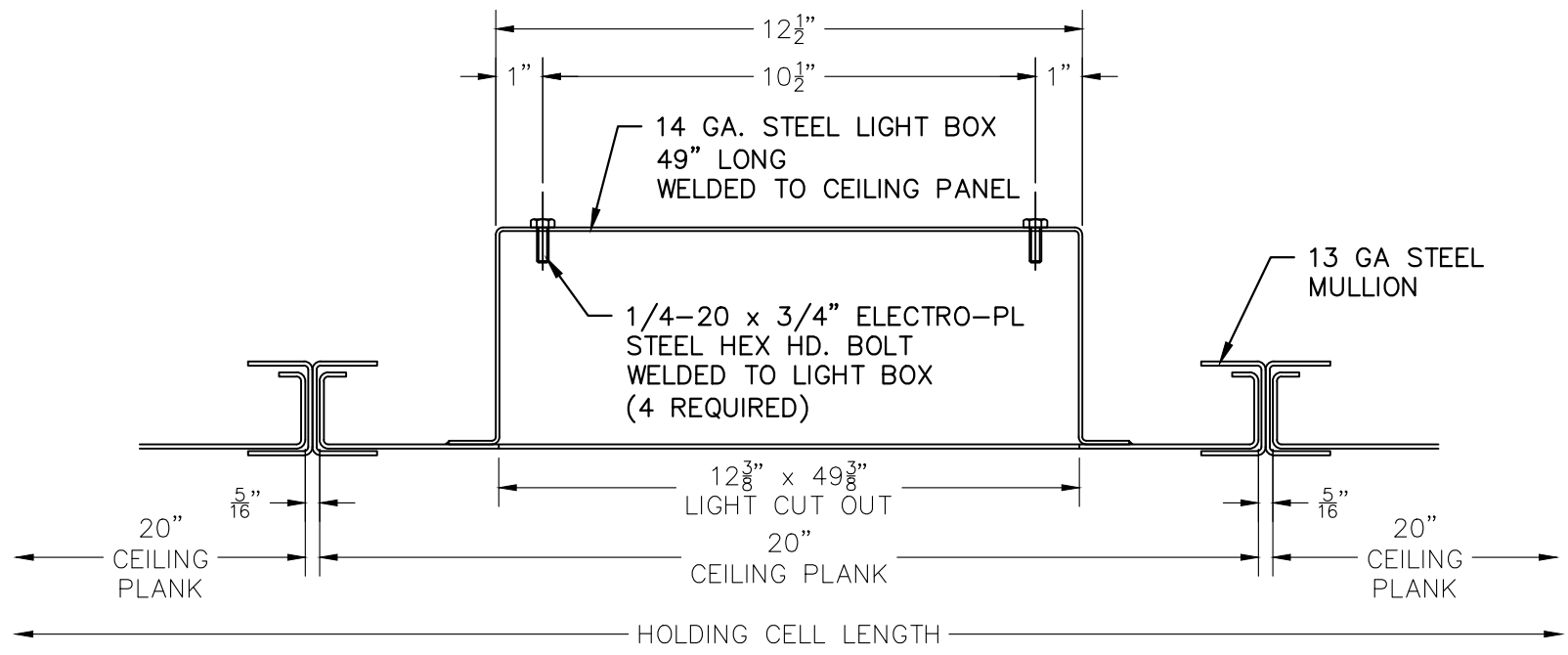
ELEVATION 2

HOLDING CELL WALL

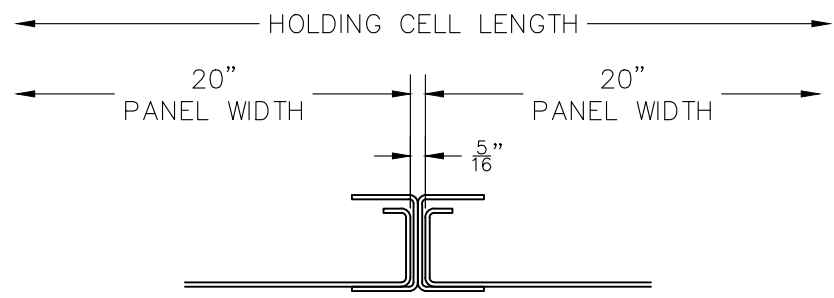
(4) WALL PANELS REQUIRED

<p>KANE INNOVATIONS GUARDIANS OF SAFE ENVIRONMENTS KANE DETENTION FACILITY BY KANE</p>	
<p>© 2021</p>	
<p>STEEL HOLDING CELL SINGLE</p>	
<p>PROJECT</p>	<p>DESCRIPTION</p>
<p>PROJECT NO.</p>	<p>REVISION LOG</p>
<p>DRAWN</p>	<p>DATE</p>
<p>SCALE</p>	<p>3/4" = 1' - 0"</p>
<p>SHEET</p>	<p>2</p>

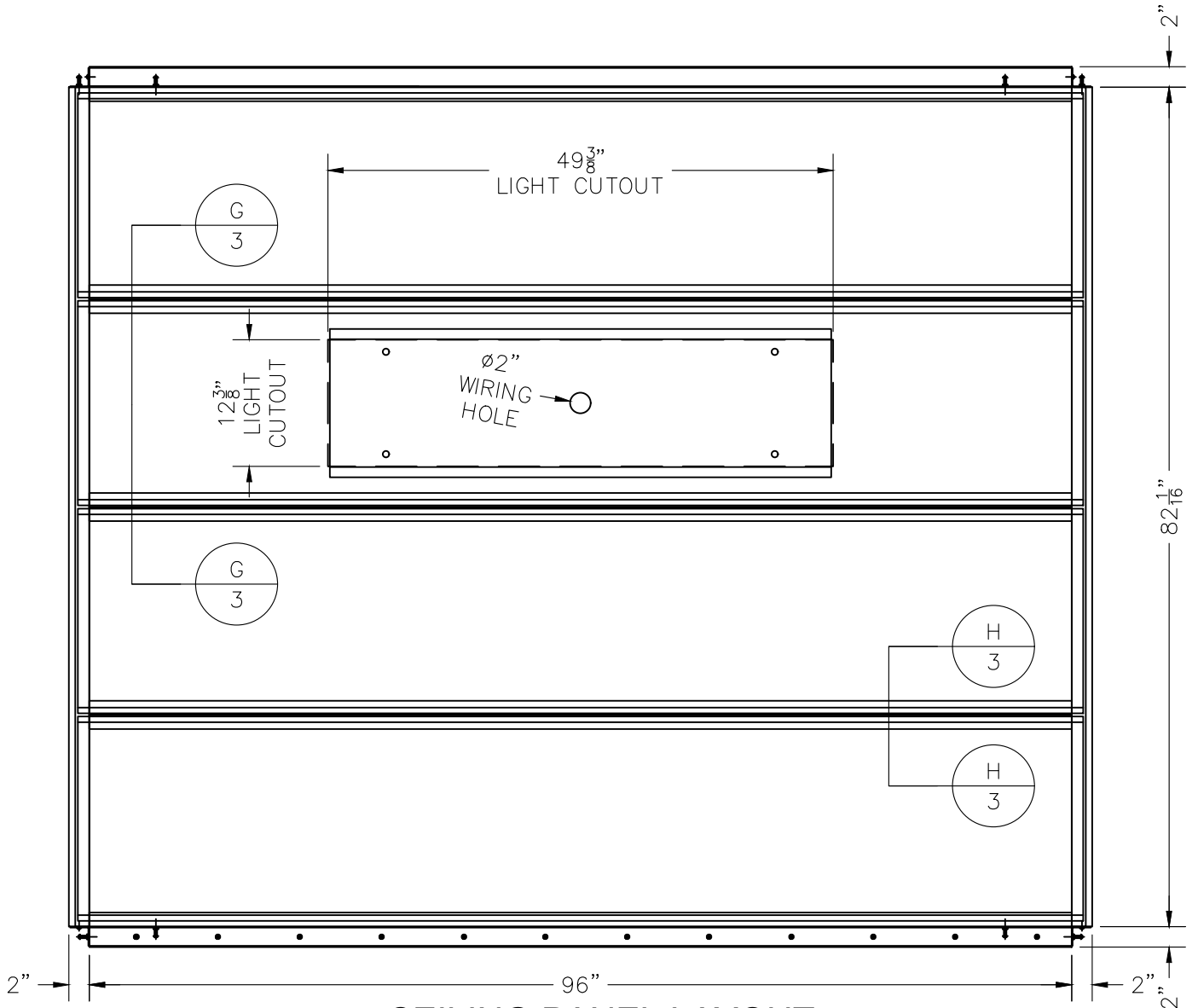
INFORMATION SHOWN ON THIS DRAWING IS PROPRIETARY AND THE SOLE PROPERTY OF KANE INNOVATIONS CORPORATION AND IS NOT TO BE REPRODUCED, DISCLOSED, OR TRANSMITTED TO OTHERS FOR ANY PURPOSE NOT AUTHORIZED BY KANE INNOVATIONS CORPORATION.
 EBBE, PENNSYLVANIA 16506
 PHF: 800-773-2439
 www.kaneinnovations.com



SECTION
SCALE: 3"=1'-0" (G-G)



SECTION
SCALE: 3"=1'-0" (H-H)



CEILING PANEL LAYOUT
3/4"=1'-0"

REV	BY	DATE	DESCRIPTION

KANE INNOVATIONS
GUARDIANS OF SAFE ENVIRONMENTS
KANE DETENTION
CONSTRUCTION BY KANE

INFORMATION SHOWN ON THIS DRAWING IS PROPRIETARY AND THE SOLE PROPERTY OF KANE INNOVATIONS CORPORATION AND IS NOT TO BE REPRODUCED, DISCLOSED, OR TRANSMITTED TO OTHERS FOR ANY PURPOSE NOT AUTHORIZED BY KANE INNOVATIONS CORPORATION.

FILE: PENNSYLVANIA - 165066
PH#: 800-773-2439
www.kaneinnovations.com

© 2021

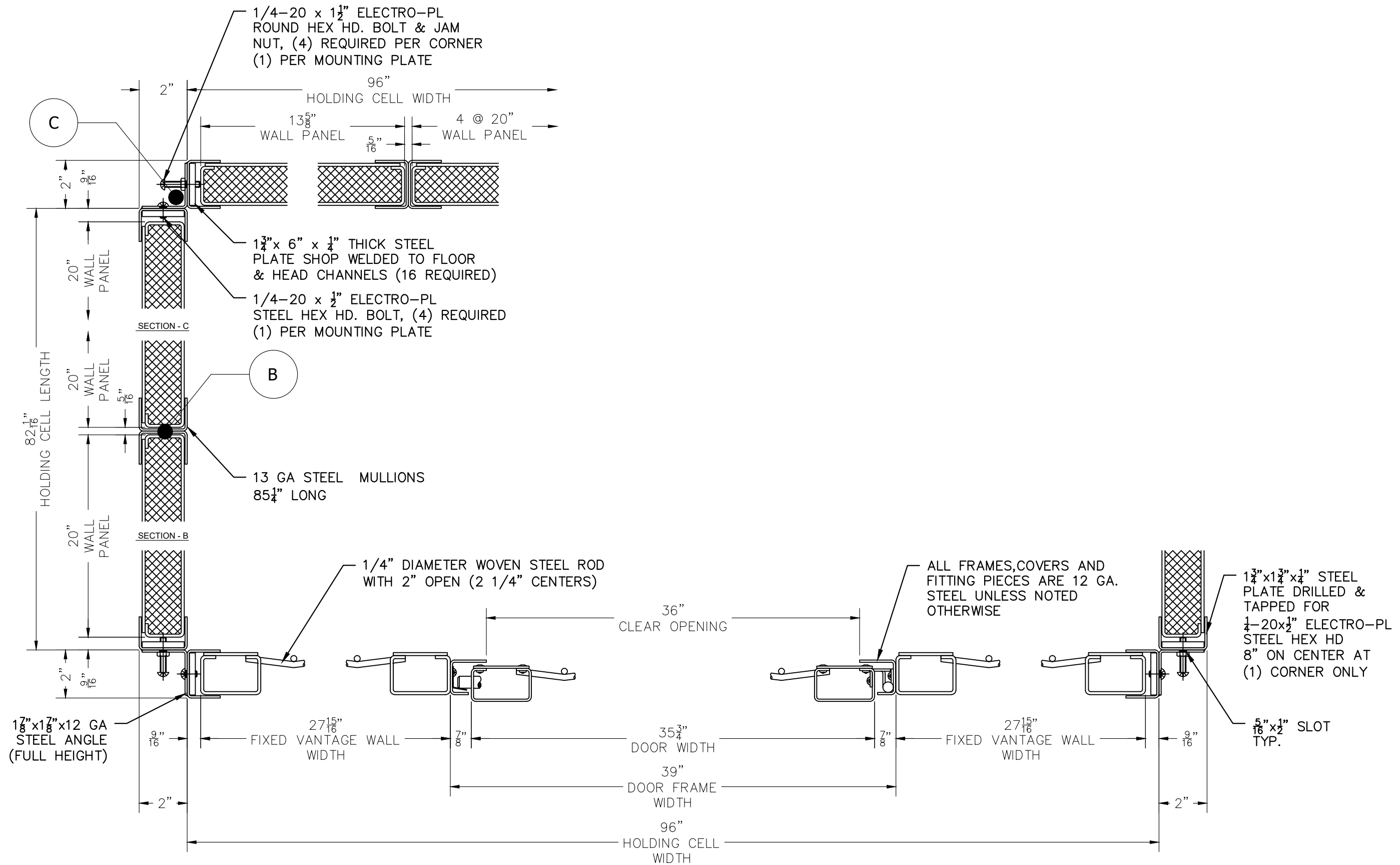
STEEL HOLDING CELL SINGLE

PROJECT: _____
PROJECT NO.: _____

DRAWN: _____ DATE: 09/15/2014

SCALE: 3/4" = 1' - 0"

SHEET 3



SECTION

A-A

REV	BY	DATE	DESCRIPTION

REVISION LOG

KANE INNOVATIONS
 GUARDIANS OF SAFE ENVIRONMENTS
 KANE DETENTION
 MANUFACTURED BY KANE

INFORMATION SHOWN ON THIS DRAWING IS PROPRIETARY AND THE SOLE PROPERTY OF KANE INNOVATIONS CORPORATION AND IS NOT TO BE REPRODUCED, DISCLOSED, OR TRANSMITTED TO OTHERS FOR ANY PURPOSE NOT AUTHORIZED BY KANE INNOVATIONS CORPORATION.

PHILADELPHIA, PA 19106
 PH: 800-773-2439
 www.kaneinnovations.com

© 2021

STEEL HOLDING CELL SINGLE

PROJECT

PROJECT NO.

DRAWN

DATE

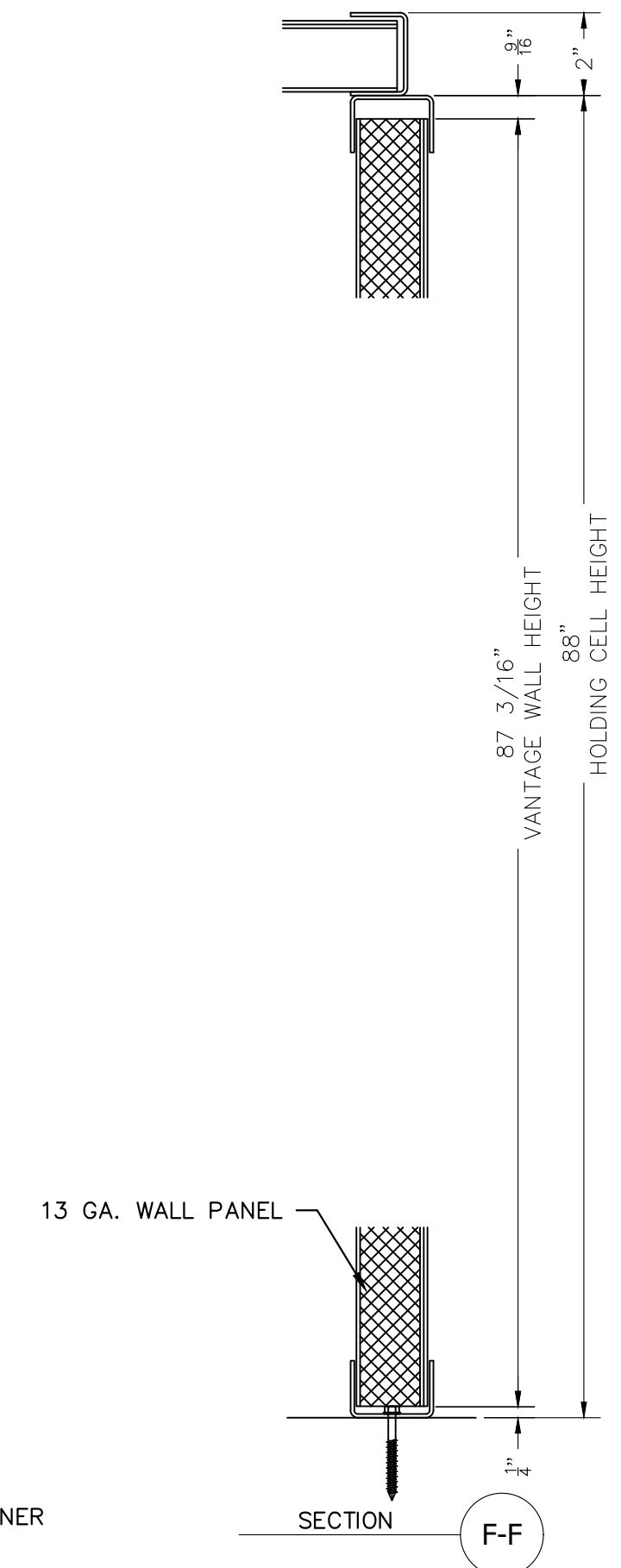
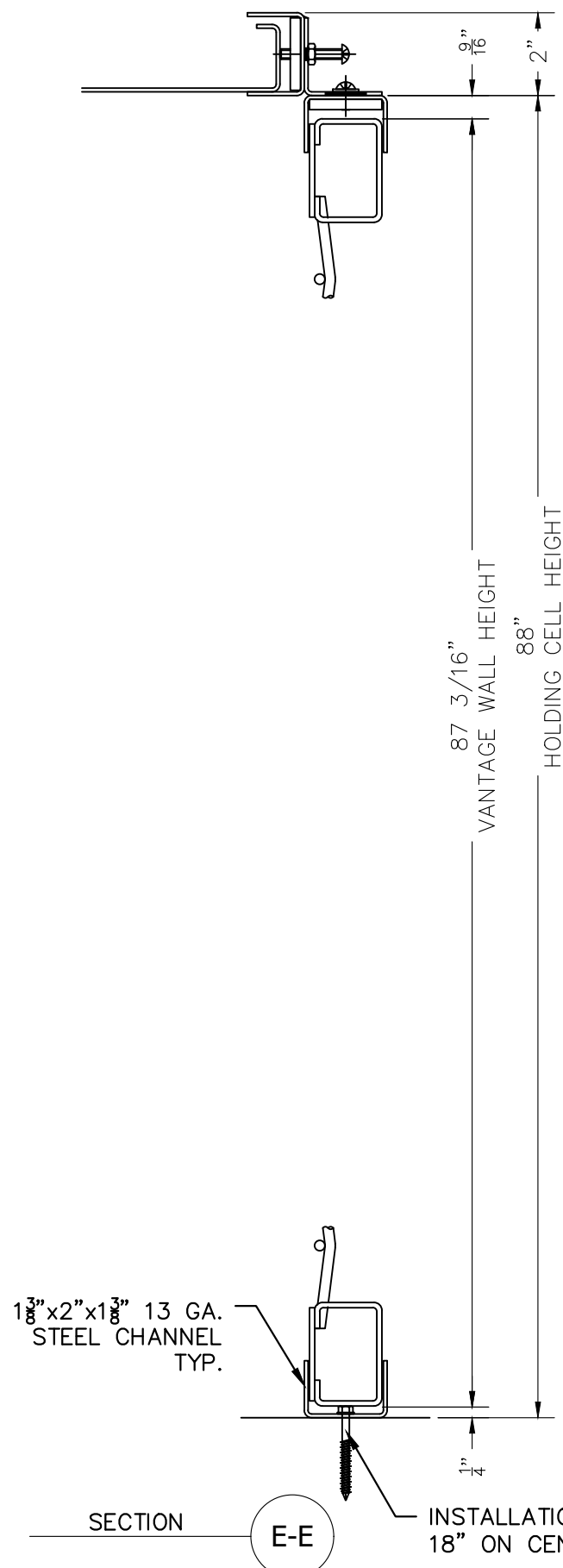
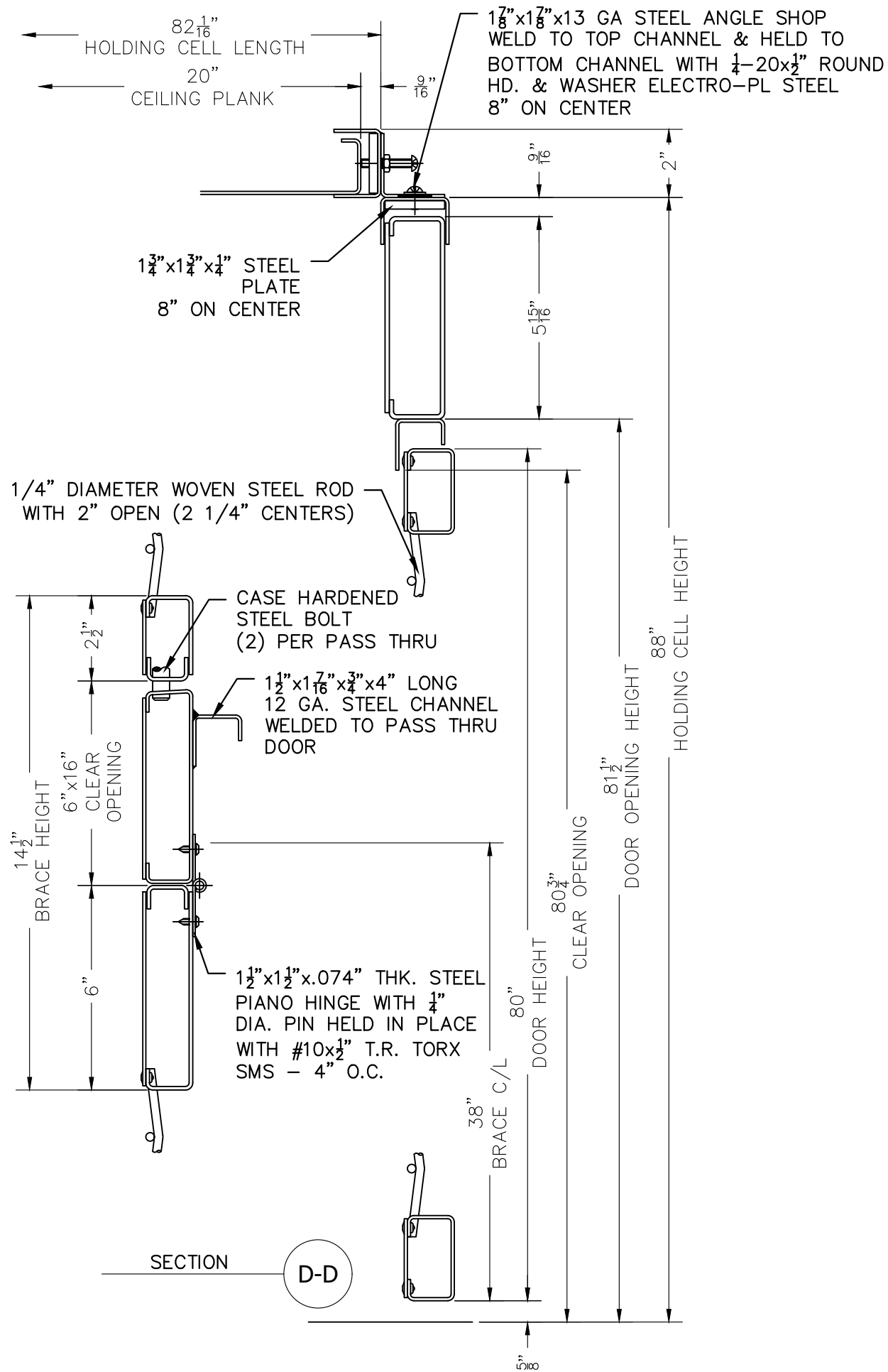
09/15/2014

SCALE

3" = 1' - 0"

SHEET

HLD1



REV	BY	DATE	DESCRIPTION

KANE INNOVATIONS
 GUARDIANS OF SAFE ENVIRONMENTS
 KANE DETENTION
 MANUFACTURED BY KANE

INFORMATION SHOWN ON THIS DRAWING IS PROPRIETARY AND THE SOLE PROPERTY OF KANE INNOVATIONS CORPORATION AND IS NOT TO BE REPRODUCED, DISCLOSED, OR TRANSMITTED TO OTHERS FOR ANY PURPOSE NOT AUTHORIZED BY KANE INNOVATIONS CORPORATION.

PHILADELPHIA, PA 19106
 PH: 800-773-2439
 WWW.KANEINNOVATIONS.COM

© 2021

STEEL HOLDING CELL SINGLE

PROJECT NO. _____

DRAWN: _____ DATE: 09/15/2014

SCALE: 3" = 1' - 0"

SHEET: HLD2