

REV	BY	DATE	DESCRIPTION

REVISION LOG

**KANE INNOVATIONS**  
 GUARDIANS OF SAFE ENVIRONMENTS  
 KANE SECURITY  
 SERVING BY NAME

© 2021

INFORMATION SHOWN ON THIS DRAWING IS PROPRIETARY AND THE SOLE PROPERTY OF KANE INNOVATIONS CORPORATION, AND IS NOT TO BE REPRODUCED, DISCLOSED, OR TRANSMITTED TO OTHERS FOR ANY PURPOSE NOT AUTHORIZED BY KANE INNOVATIONS CORPORATION.

PHILADELPHIA, PA 19106  
 PH: 800-773-2439  
 WWW.KANEINNOVATIONS.COM

PROJECT: **S-NR5-B**

PROJECT NO.:

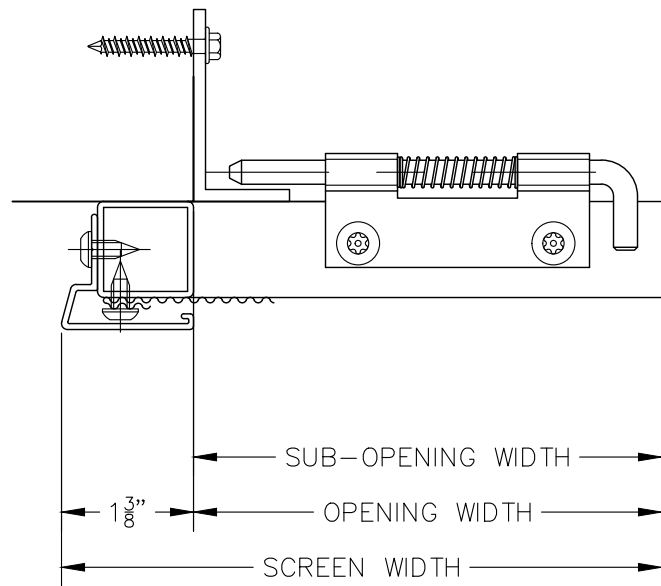
DRAWN: DATE: 05/01/2014

SCALE: 3/4"=1'-0"

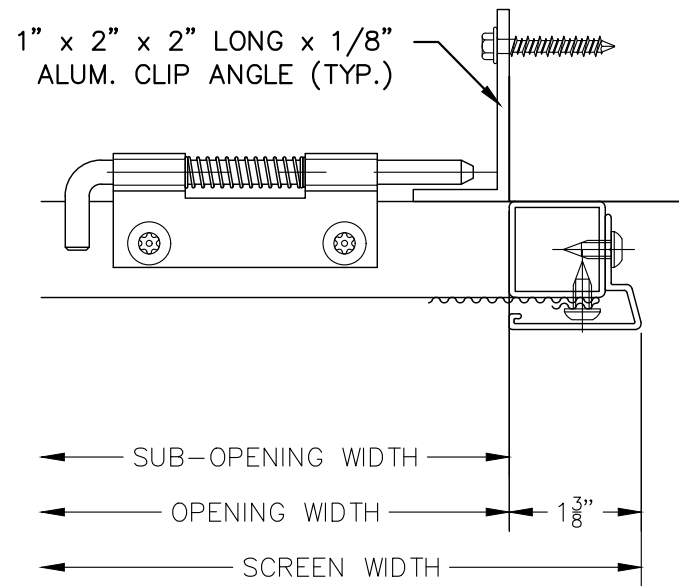
SHEET: E1

STEEL NARROWLINE - TOP HINGE

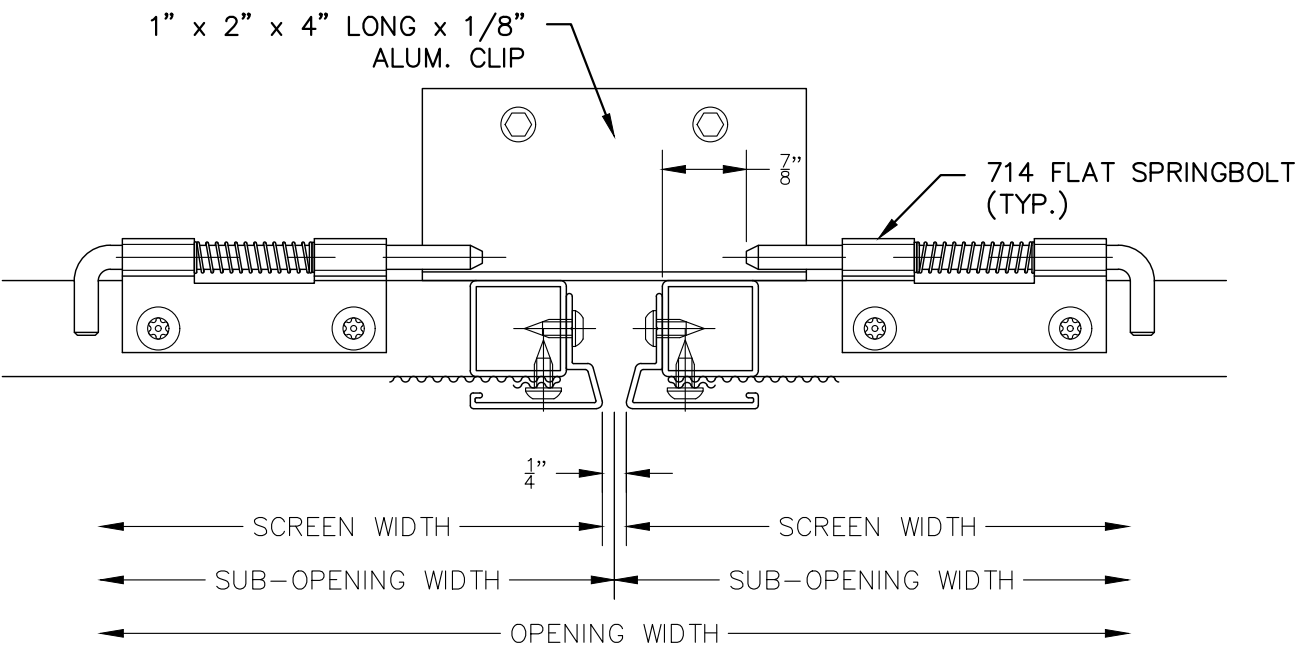
SPRINGBOLT - SURFACE MOUNT



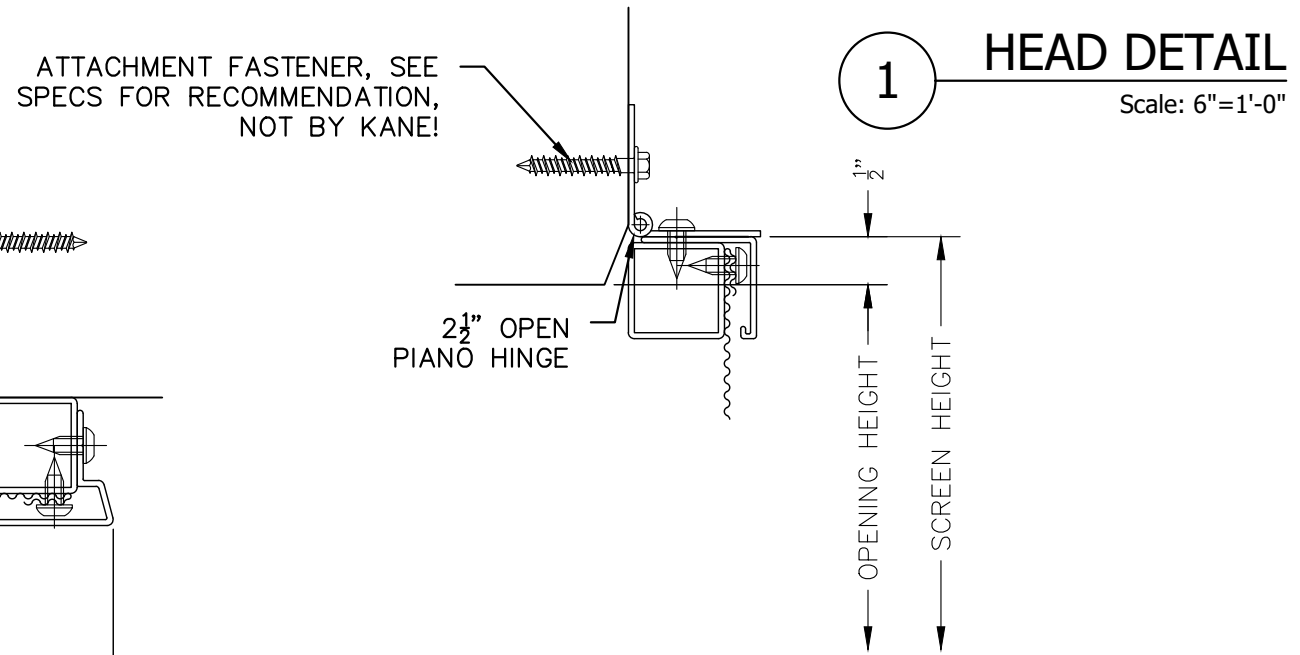
**3 LEFT JAMB**  
Scale: 6"=1'-0"



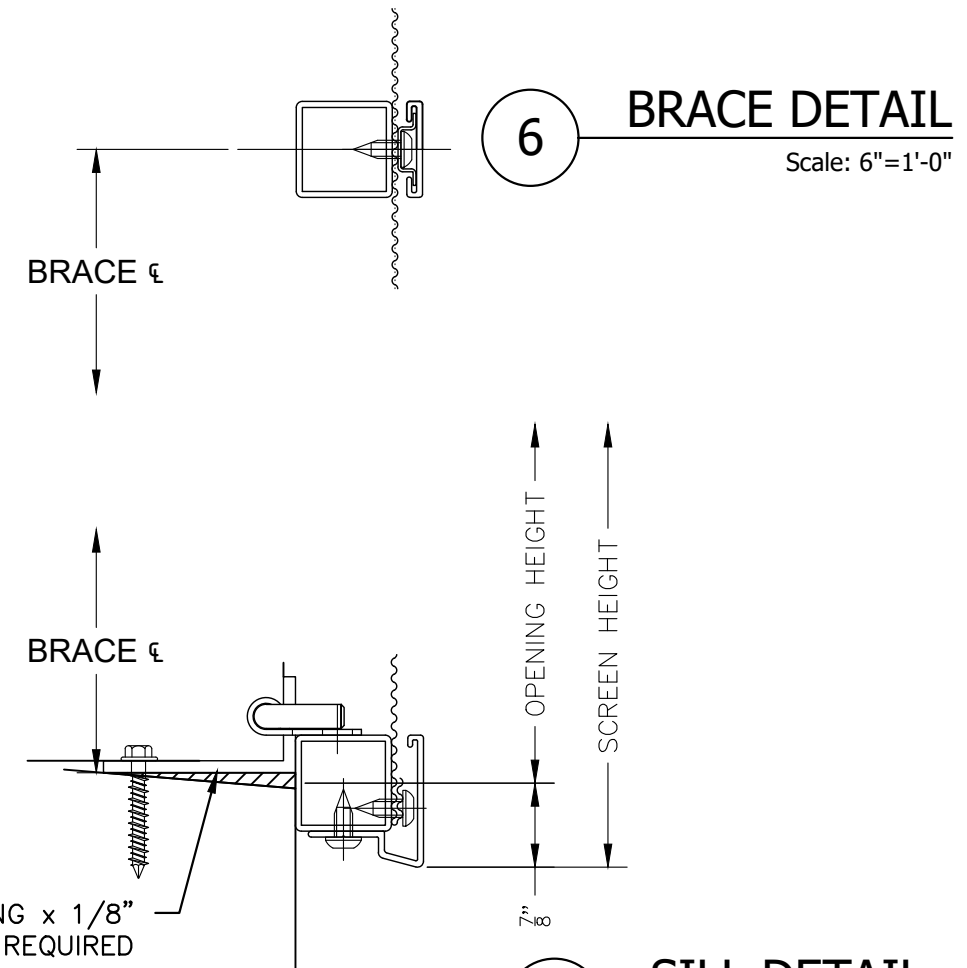
**4 RIGHT JAMB**  
Scale: 6"=1'-0"



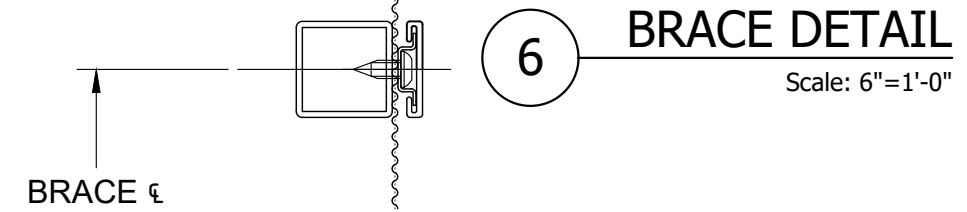
**5 MULLION DETAIL**  
Scale: 6"=1'-0"



**1 HEAD DETAIL**  
Scale: 6"=1'-0"



**2 SILL DETAIL**  
Scale: 6"=1'-0"



**6 BRACE DETAIL**  
Scale: 6"=1'-0"

REV.	BY	DATE	DESCRIPTION

**KANE INNOVATIONS**  
GUARDIANS OF SAFE ENVIRONMENTS  
KANE SECURITY  
FORMING BY KANE

INFORMATION SHOWN ON THIS DRAWING IS PROPRIETARY AND THE SOLE PROPERTY OF KANE INNOVATIONS CORPORATION, AND IS NOT TO BE REPRODUCED, DISCLOSED, OR TRANSMITTED TO OTHERS FOR ANY PURPOSE NOT AUTHORIZED BY KANE INNOVATIONS CORPORATION.

PHILADELPHIA, PA 19106  
PH: 800-773-2439  
WWW.KANEINNOVATIONS.COM

© 2021

**S-NR5-B**  
STEEL NARROWLINE - TOP HINGE  
SPRINGBOLT - SURFACE MOUNT

PROJECT	PROJECT NO.
DRAWN	DATE
SCALE	6"=1'-0"
SHEET	D1