

| REV | BY | DATE | DESCRIPTION |
|-----|----|------|-------------|
| | | | |
| | | | |
| | | | |

REVISION LOG

KANE ARCHITECTURAL INNOVATIONS
 GUARDIANS OF SAFE ENVIRONMENTS
 KANE SECURITY ARCHITECTURE BY KANE

© 2021

INFORMATION SHOWN ON THIS DRAWING IS PROPRIETARY AND THE SOLE PROPERTY OF KANE MANUFACTURING CORPORATION AND IS NOT TO BE REPRODUCED, DISCLOSED, OR TRANSMITTED TO OTHERS FOR ANY PURPOSE NOT AUTHORIZED BY KANE MANUFACTURING CORPORATION.

PHILADELPHIA, PA 19106
 PH: 800-773-2439
 WWW.KANEMANUFACTURING.COM

© 2021

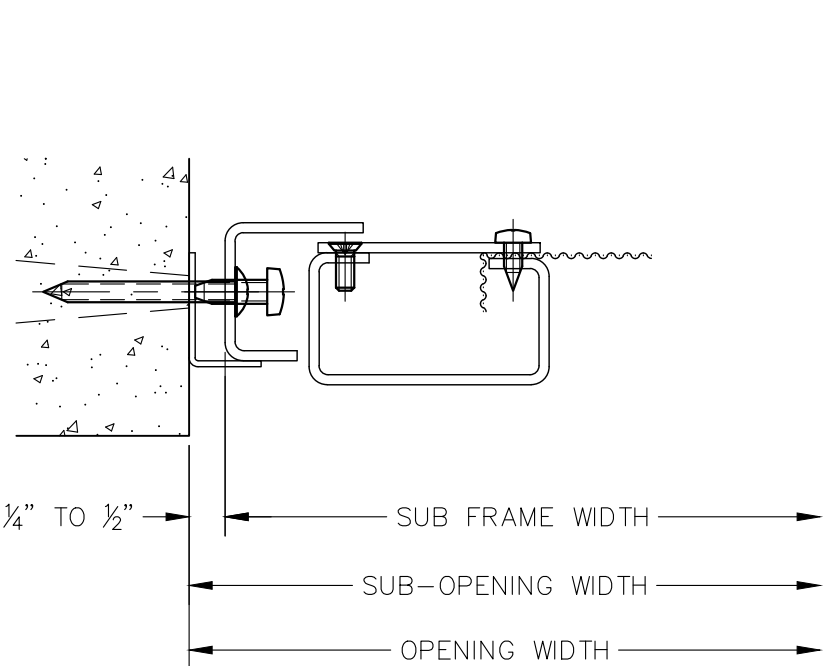
S-VAN-O
STEEL VAN GUARD - OPERABLE
REVEAL MOUNT

PROJECT NO.

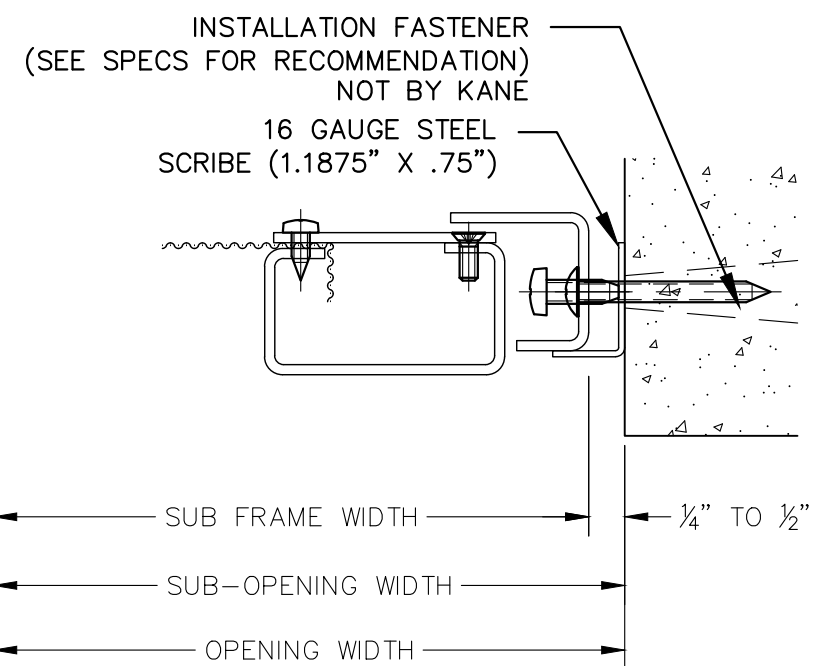
DRAWN DATE
 05/01/2014

SCALE
 3/4"=1'-0"

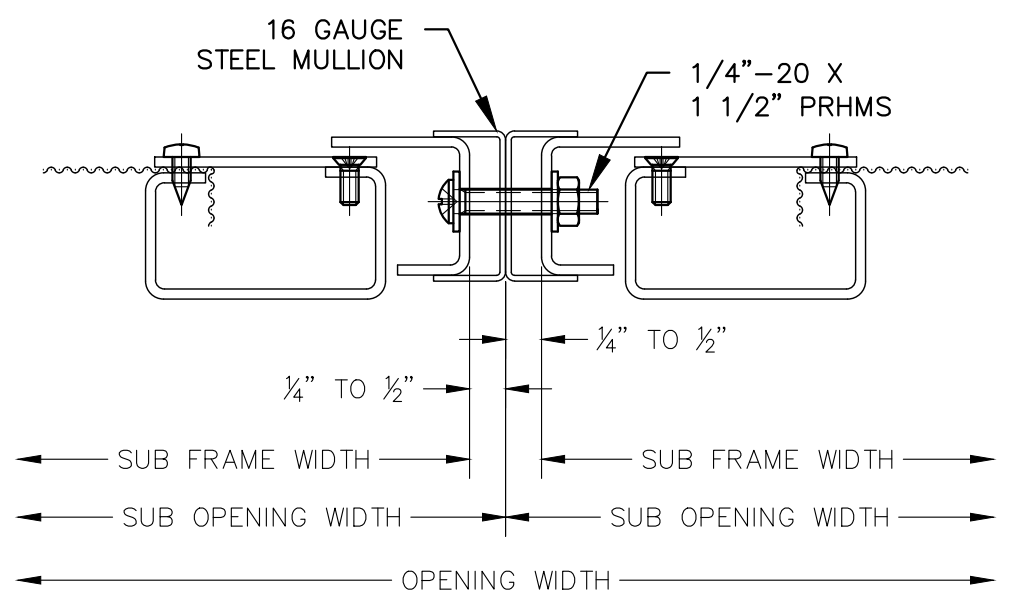
SHEET
 E1



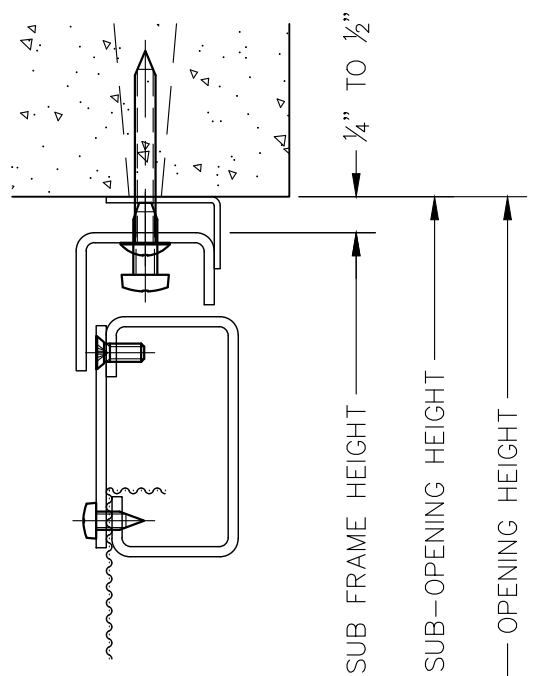
3 LEFT JAMB
SCALE: 6"=1'-0"



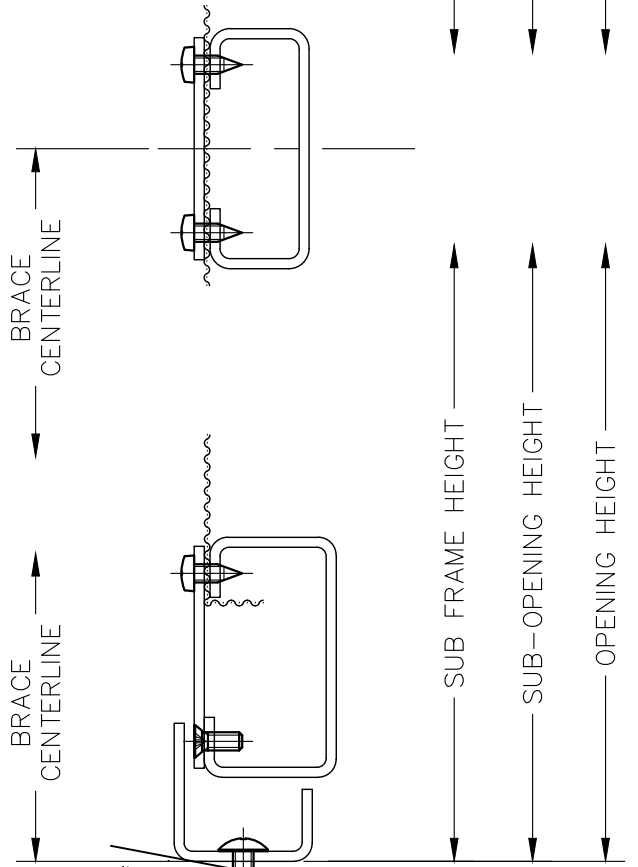
4 RIGHT JAMB
SCALE: 6"=1'-0"



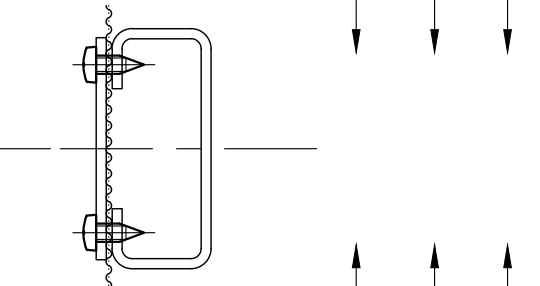
5 MULLION DETAIL
SCALE: 6"=1'-0"



1 HEAD DETAIL
SCALE: 6"=1'-0"



2 SILL DETAIL
SCALE: 6"=1'-0"



6 BRACE DETAIL
SCALE: 6"=1'-0"

INSTALLATION FASTENER
(SEE SPECS FOR RECOMMENDATION)
NOT BY KANE
16 GAUGE STEEL
SCRIBE (1.1875" X .75")

| REV | BY | DATE | DESCRIPTION |
|-----|----|------|-------------|
| | | | |
| | | | |
| | | | |

KANE ARCHITECTURAL INNOVATIONS
GUARDIANS OF SAFE ENVIRONMENTS
KANE SECURITY ARCHITECTURE BY KANE

PROJECT NO. _____
DRAWN _____ DATE 05/01/2014
SCALE 6"=1'-0"
SHEET D1

S-VAN-O STEEL VAN GUARD - OPERABLE REVEAL MOUNT

© 2021

PROJECT NO. _____
DRAWN _____ DATE 05/01/2014
SCALE 6"=1'-0"
SHEET D1

INFORMATION SHOWN ON THIS DRAWING IS PROPRIETARY AND THE SOLE PROPERTY OF KANE MANUFACTURING CORPORATION AND IS NOT TO BE REPRODUCED, DISCLOSED, OR TRANSMITTED TO OTHERS FOR ANY PURPOSE NOT AUTHORIZED BY KANE MANUFACTURING CORPORATION.