

**ELEVATION 1**

LOCATION: XXXX  
 (1) OPENING THUS  
 (1) X-D13-24X-P DOOR REQ'D THUS  
 13 GAUGE STAINLESS STEEL FIXED VANTAGE WALL  
 13 GAUGE STAINLESS STEEL VANTAGE WALL DOOR & FRAME  
 FINISH: DIRECTIONALLY SANDED  
 INFILL: 1/4"Ø ROD WOVEN 2 1/4" O.C.

REVISION LOG	REV	BY	DATE	DESCRIPTION

**KANE INNOVATIONS**  
 GUARDIANS OF SAFE ENVIRONMENTS  
 1000 PENNSYLVANIA 16008  
 STATE COLLEGE, PA 16801  
 TEL: 800-773-2439  
 www.kaneinnovations.com

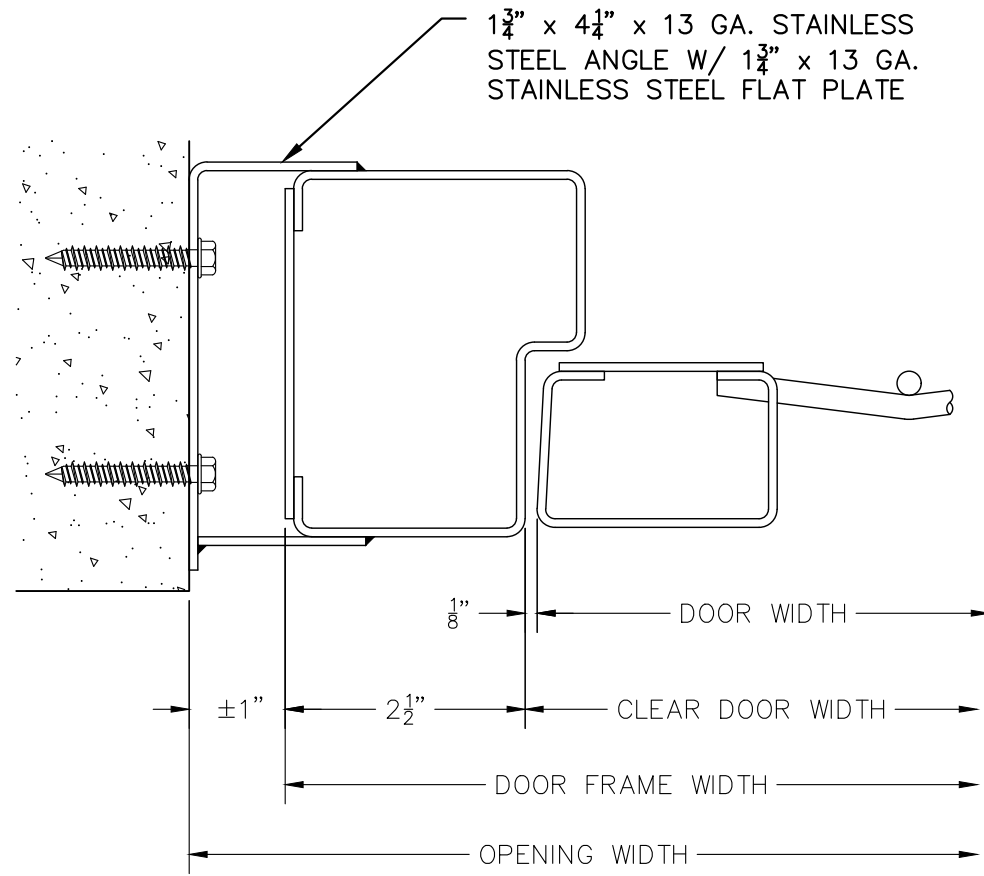
**KANE DETENTION**  
 AUTHORITY # NAME

© 2021

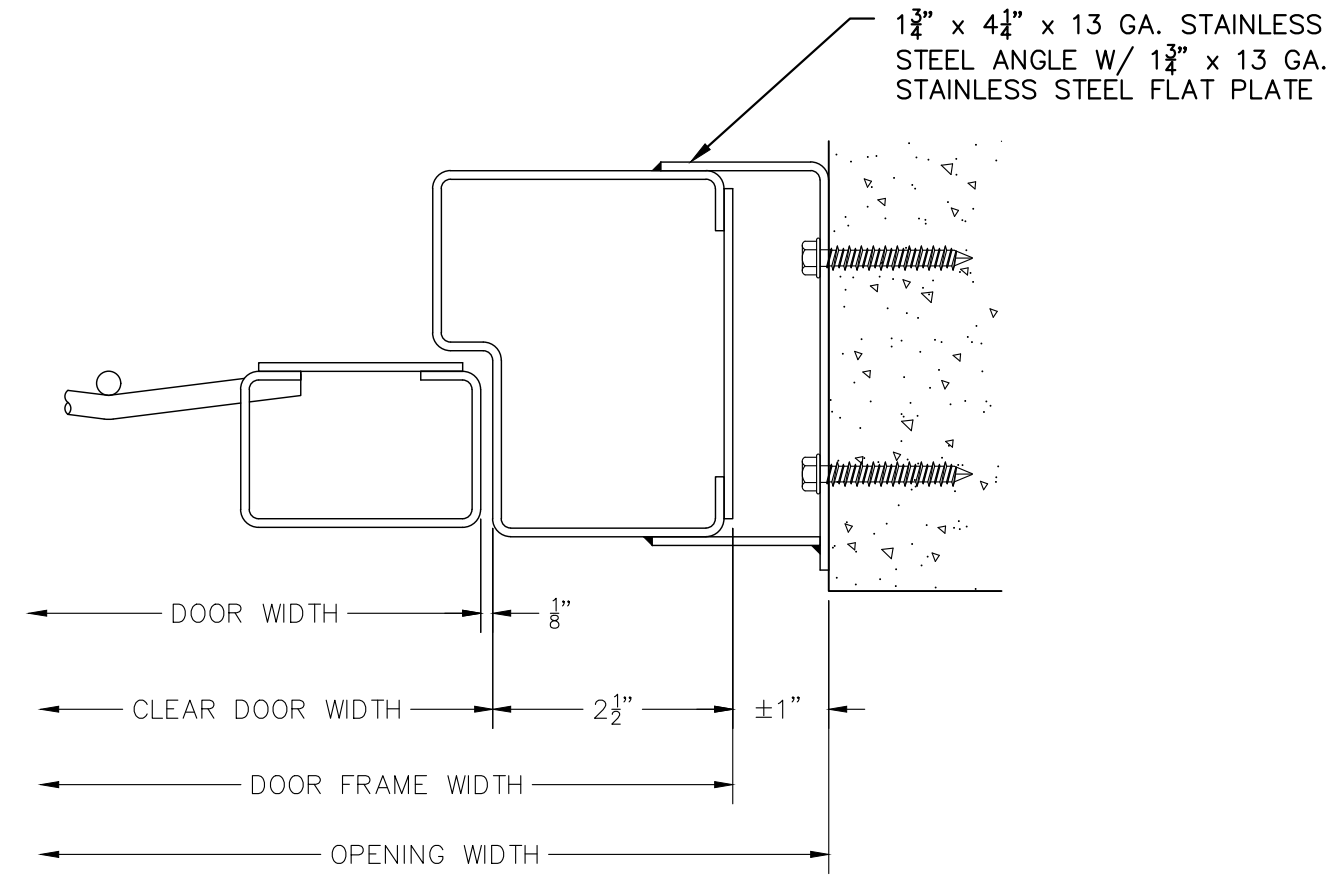
**X-D13-P**  
**PRE-HUNG VANTAGE WALL DOOR**  
**13 GA. STAINLESS STEEL**

PROJECT  
 PROJECT NO.  
 DRAWN DATE  
 05/01/2014  
 SCALE  
 3/4"=1'-0"  
 SHEET  
 E1

INFORMATION SHOWN ON THIS DRAWING IS PROPRIETARY AND THE SOLE PROPERTY OF KANE INNOVATIONS CORPORATION AND IS NOT TO BE REPRODUCED, DISCLOSED, OR TRANSMITTED TO OTHERS FOR ANY PURPOSE NOT AUTHORIZED BY KANE INNOVATIONS CORPORATION.



**1** LEFT JAMB  
HALF SCALE



**2** RIGHT JAMB  
HALF SCALE

REVISION LOG	REV	BY	DATE	DESCRIPTION

**KANE INNOVATIONS**  
GUARDIANS OF SAFE ENVIRONMENTS  
EST. PENNSYLVANIA 1998  
PHILADELPHIA, PA  
TEL: 800-773-2439  
WWW.KANEINNOVATIONS.COM

**KANE DETENTION**  
PARTITION # 1446

© 2021

**PROJECT**  
PROJECT NO.

**DRAWN** DATE  
05/01/2014

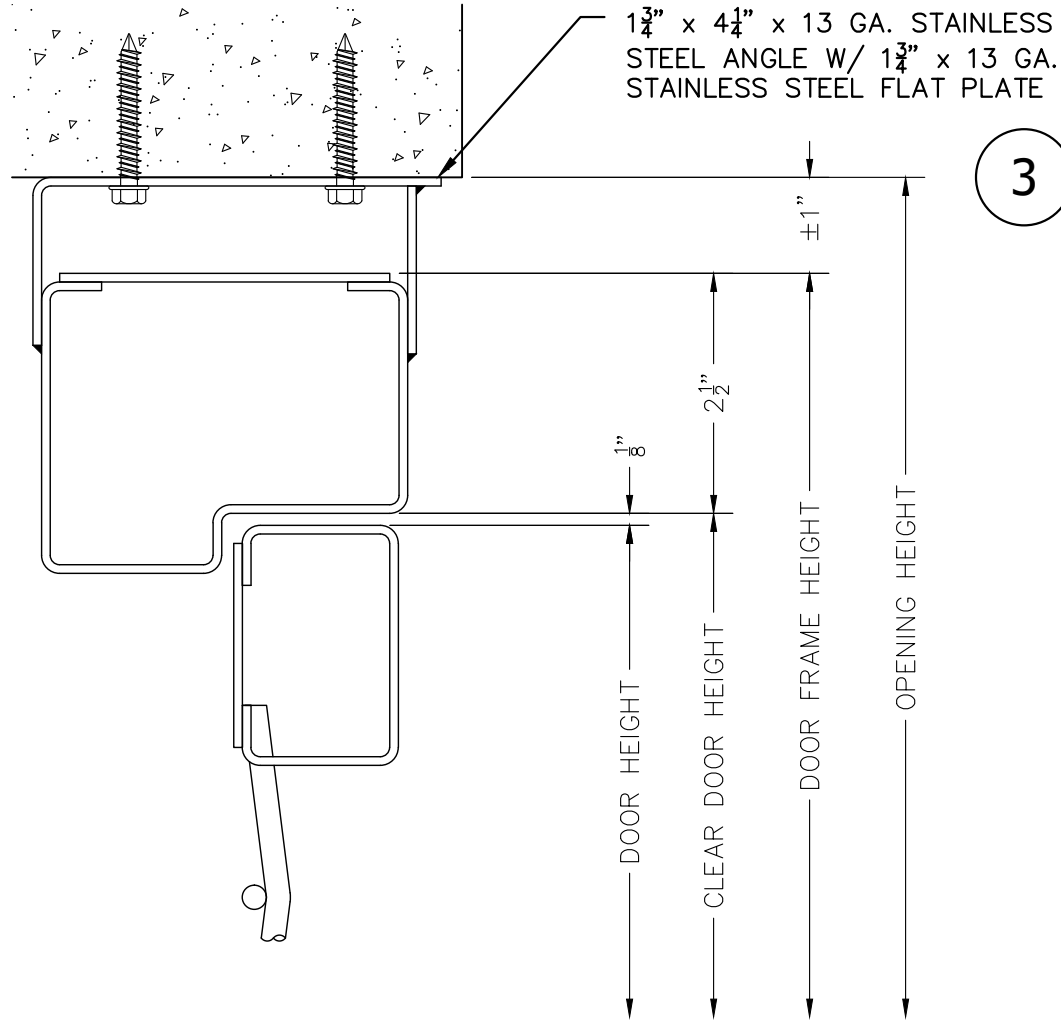
**SCALE**  
6"=1'-0"

**SHEET**  
D1

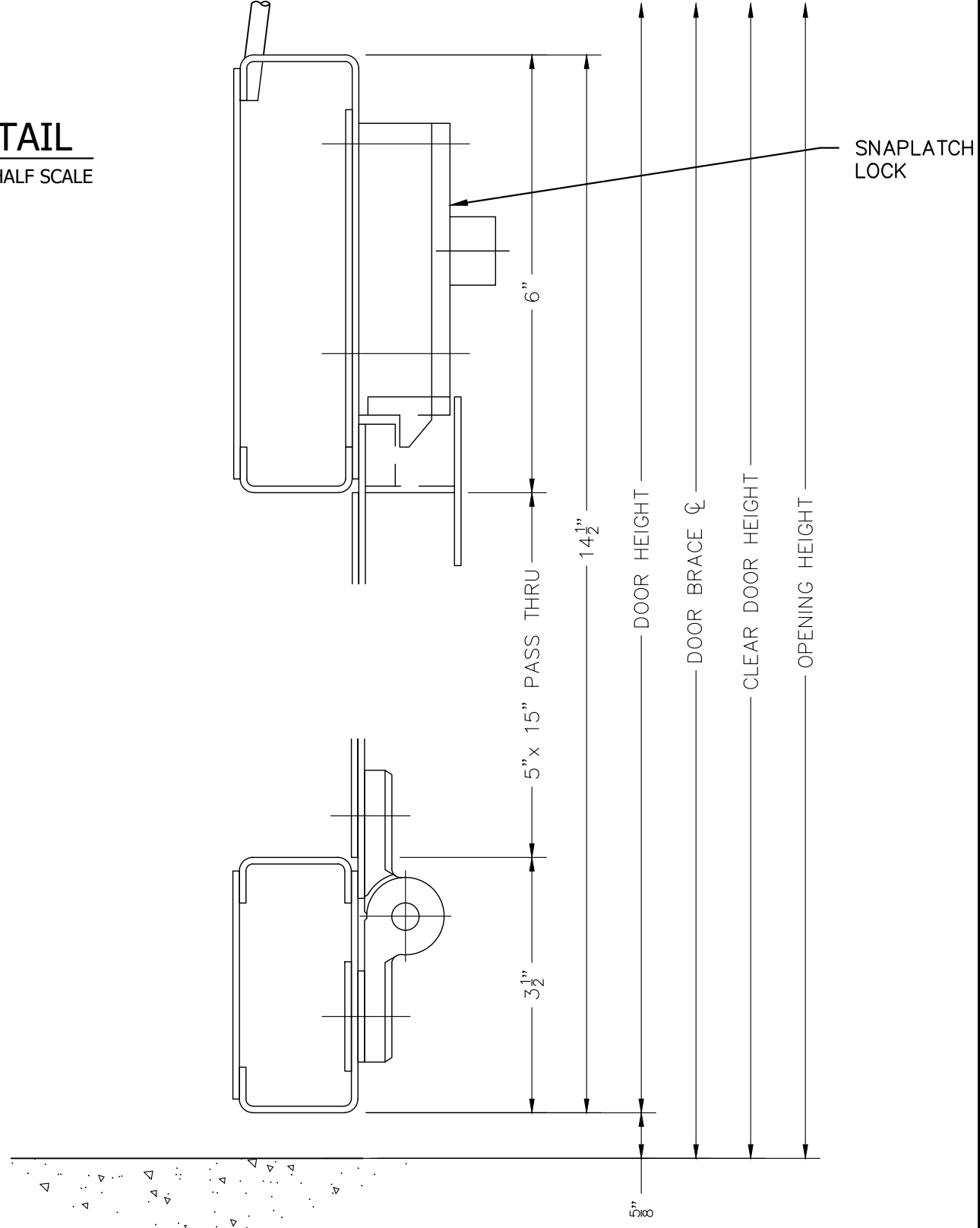
**X-D13-P**  
**PRE-HUNG VANTAGE WALL DOOR**

**13 GA. STAINLESS STEEL**

INFORMATION SHOWN ON THIS DRAWING IS PROPRIETARY AND THE SOLE PROPERTY OF KANE INNOVATIONS CORPORATION AND IS NOT TO BE REPRODUCED, DISCLOSED, OR TRANSMITTED TO OTHERS FOR ANY PURPOSE NOT AUTHORIZED BY KANE INNOVATIONS CORPORATION.



**3 HEAD DETAIL**  
HALF SCALE



**4 SILL OPTION DETAIL**  
HALF SCALE

REV	BY	DATE	DESCRIPTION

**KANE INNOVATIONS**  
GUARDIANS OF SAFE ENVIRONMENTS  
KANE DETENTION PARTITION #1486  
ESD, PENNSYLVANIA 16808  
TEL: 800-773-2439  
www.kaneinnovations.com

© 2021

**X-D13-P**  
**PRE-HUNG VANTAGE WALL DOOR**  
**13 GA. STAINLESS STEEL**

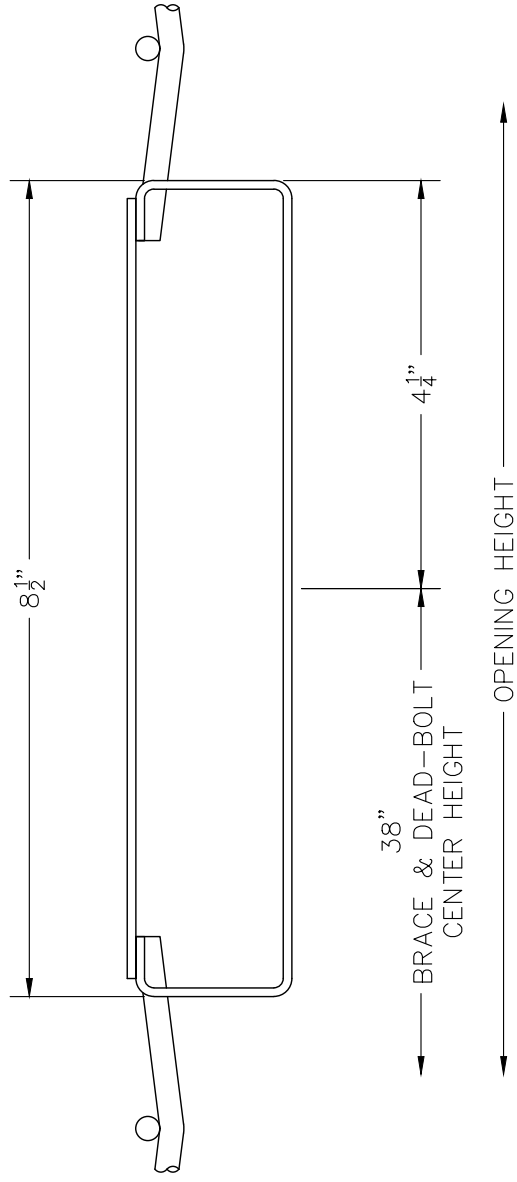
PROJECT	
PROJECT NO.	
DRAWN	DATE
	05/01/2014
SCALE	6"=1'-0"
SHEET	D2

INFORMATION SHOWN ON THIS DRAWING IS PROPRIETARY AND THE SOLE PROPERTY OF KANE INNOVATIONS CORPORATION AND IS NOT TO BE REPRODUCED, DISCLOSED, OR TRANSMITTED TO OTHERS FOR ANY PURPOSE NOT AUTHORIZED BY KANE INNOVATIONS CORPORATION.

5

### BRACE DETAIL

HALF SCALE



PROJECT

PROJECT NO.

DRAWN

DATE

05/01/2014

SCALE

6"=1'-0"

SHEET

D3

© 2021

**X-D13-P**  
**PRE-HUNG VANTAGE WALL DOOR**

**13 GA. STAINLESS STEEL**

**KANE INNOVATIONS**  
 GUARDIANS OF SAFE ENVIRONMENTS  
 3000 PENNSYLVANIA 16008  
 PIA, PA  
 TEL: 800-773-2439  
 WWW.KANEINNOVATIONS.COM

REVISION LOG

REV	BY	DATE	DESCRIPTION

INFORMATION SHOWN ON THIS DRAWING IS PROPRIETARY AND THE SOLE PROPERTY OF KANE INNOVATIONS CORPORATION AND IS NOT TO BE REPRODUCED, DISCLOSED, OR TRANSMITTED TO OTHERS FOR ANY PURPOSE NOT AUTHORIZED BY KANE INNOVATIONS CORPORATION.