

REV	BY	DATE	DESCRIPTION

REVISION LOG

KANE ARCHITECTURAL INNOVATIONS
 GUARDIANS OF SAFE ENVIRONMENTS
 KANE SECURITY
 ARCHITECT BY NAME

© 2021

INFORMATION SHOWN ON THIS DRAWING IS PROPRIETARY AND THE SOLE PROPERTY OF KANE MANUFACTURING CORPORATION AND IS NOT TO BE REPRODUCED, DISCLOSED, OR TRANSMITTED TO OTHERS FOR ANY PURPOSE NOT AUTHORIZED BY KANE MANUFACTURING CORPORATION.

PHILADELPHIA, PA 19106
 PH: 800-773-2439
 WWW.KANEMANUFACTURING.COM

© 2021

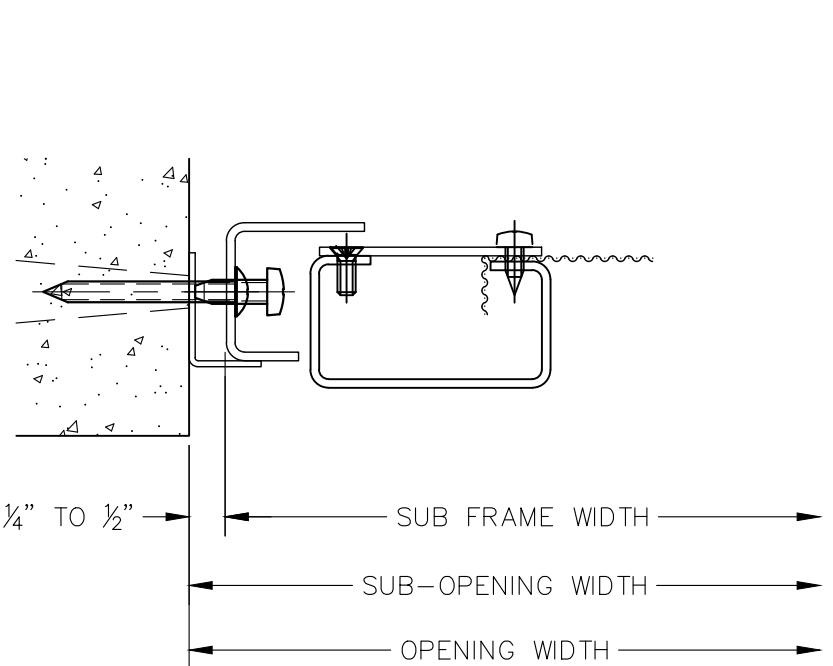
X-VAN-O
STAINLESS VAN GUARD - OPERABLE
REVEAL MOUNT

PROJECT NO.

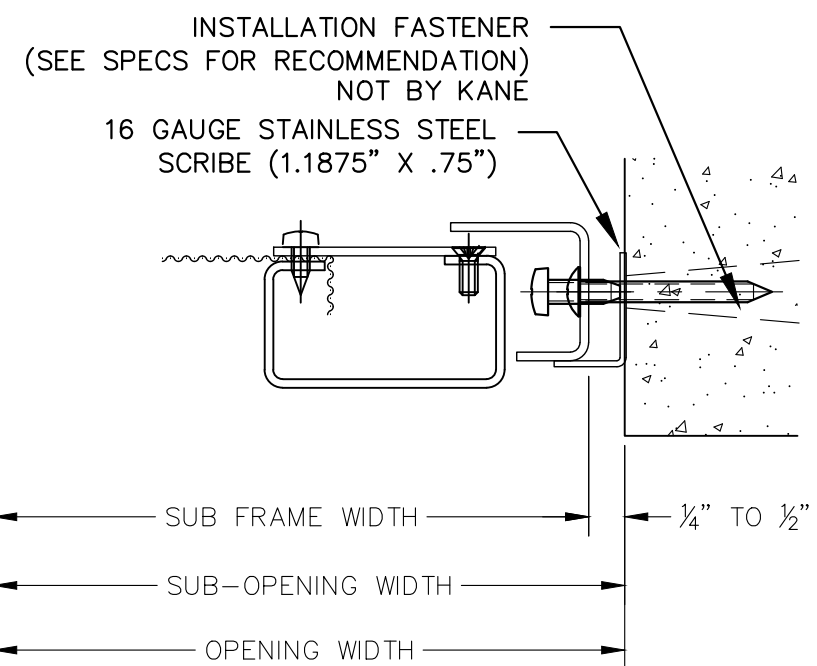
DRAWN DATE
 05/01/2014

SCALE
 3/4"=1'-0"

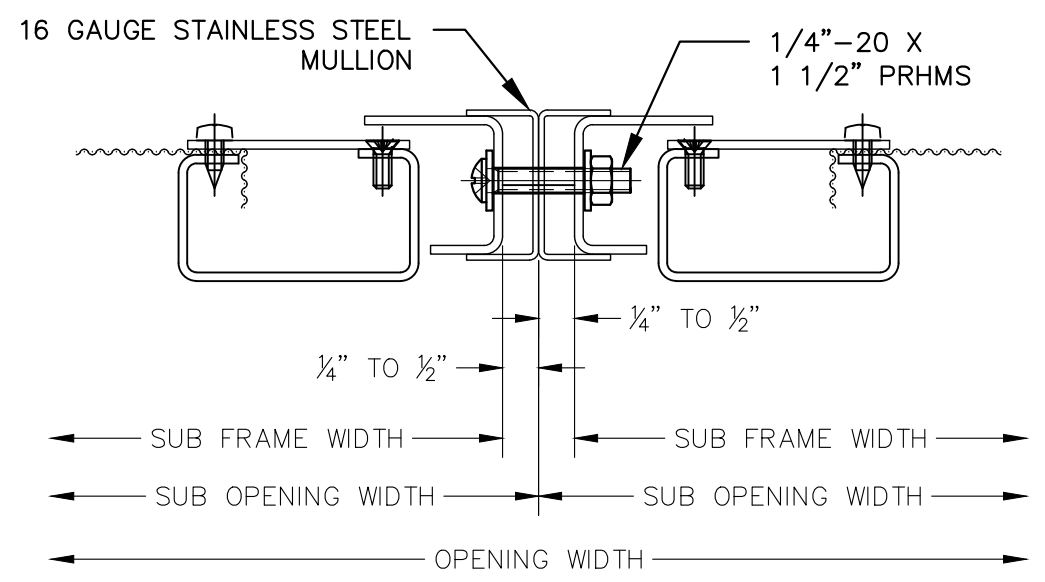
SHEET
 E1



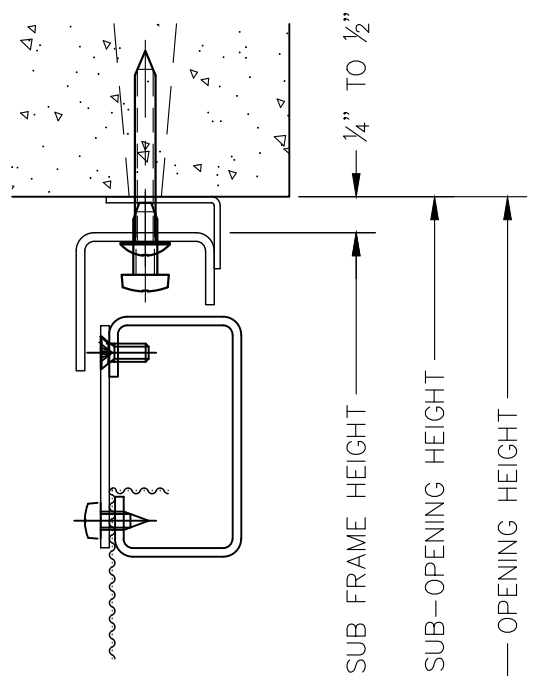
3 LEFT JAMB
SCALE: 6"=1'-0"



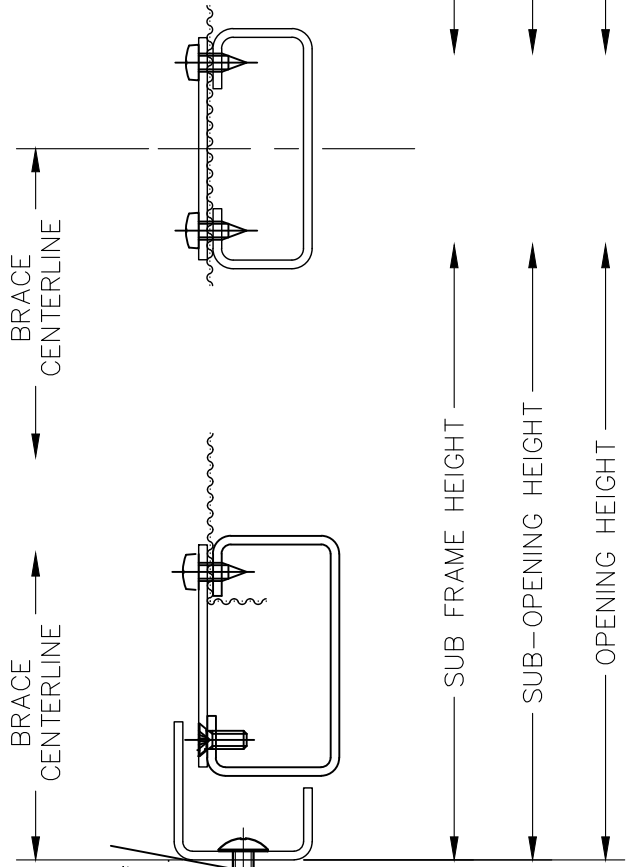
4 RIGHT JAMB
SCALE: 6"=1'-0"



5 MULLION DETAIL
SCALE: 6"=1'-0"



1 HEAD DETAIL
SCALE: 6"=1'-0"



6 BRACE DETAIL
SCALE: 6"=1'-0"

2 SILL DETAIL
SCALE: 6"=1'-0"

REV	BY	DATE	DESCRIPTION

KANE ARCHITECTURAL INNOVATIONS
GUARDIANS OF SAFE ENVIRONMENTS
KANE SECURITY ARCHITECTURE BY KANE
PITTSBURGH, PA 15206
PH: 800-773-2439
www.kaneinnovations.com

© 2021
X-VAN-O
STAINLESS VAN GUARD - OPERABLE
REVEAL MOUNT

PROJECT	PROJECT NO.
DRAWN	DATE
SCALE	6"=1'-0"
SHEET	D1

INFORMATION SHOWN ON THIS DRAWING IS PROPRIETARY AND THE SOLE PROPERTY OF KANE MANUFACTURING CORPORATION AND IS NOT TO BE REPRODUCED, DISCLOSED, OR TRANSMITTED TO OTHERS FOR ANY PURPOSE NOT AUTHORIZED BY KANE MANUFACTURING CORPORATION.